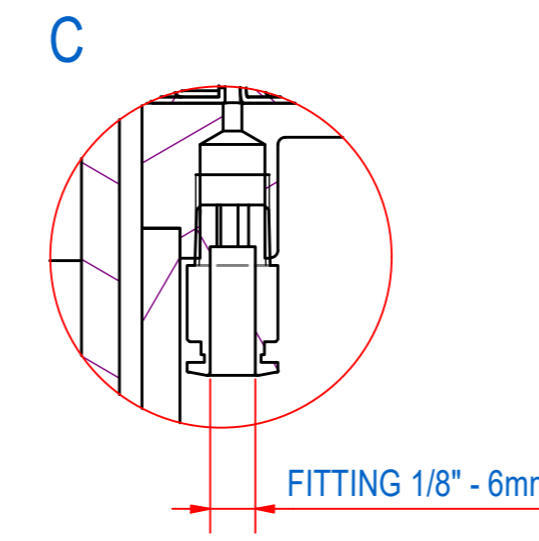
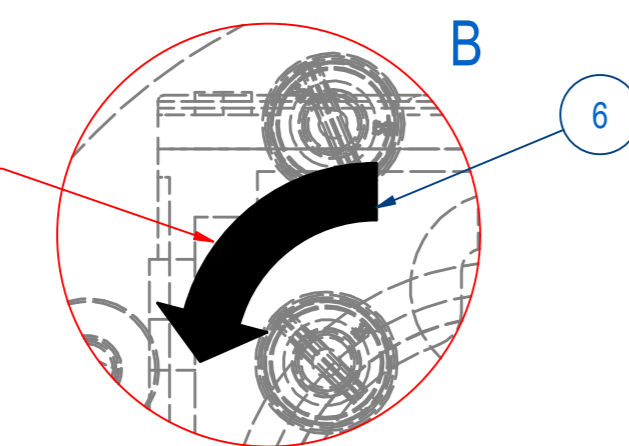
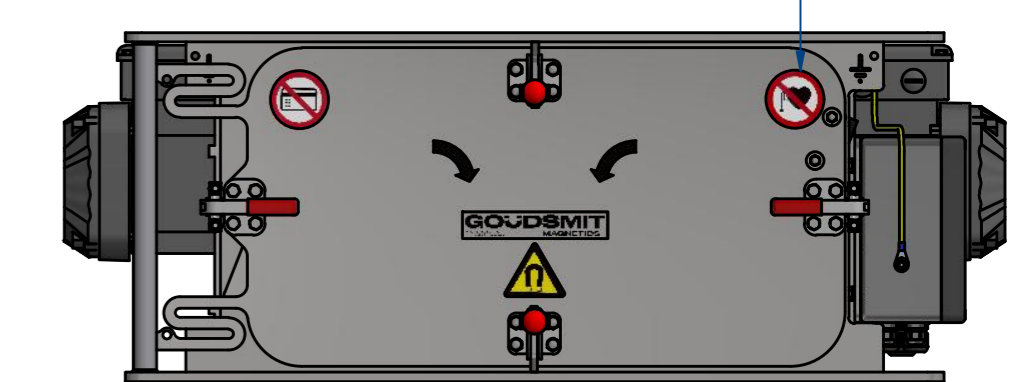
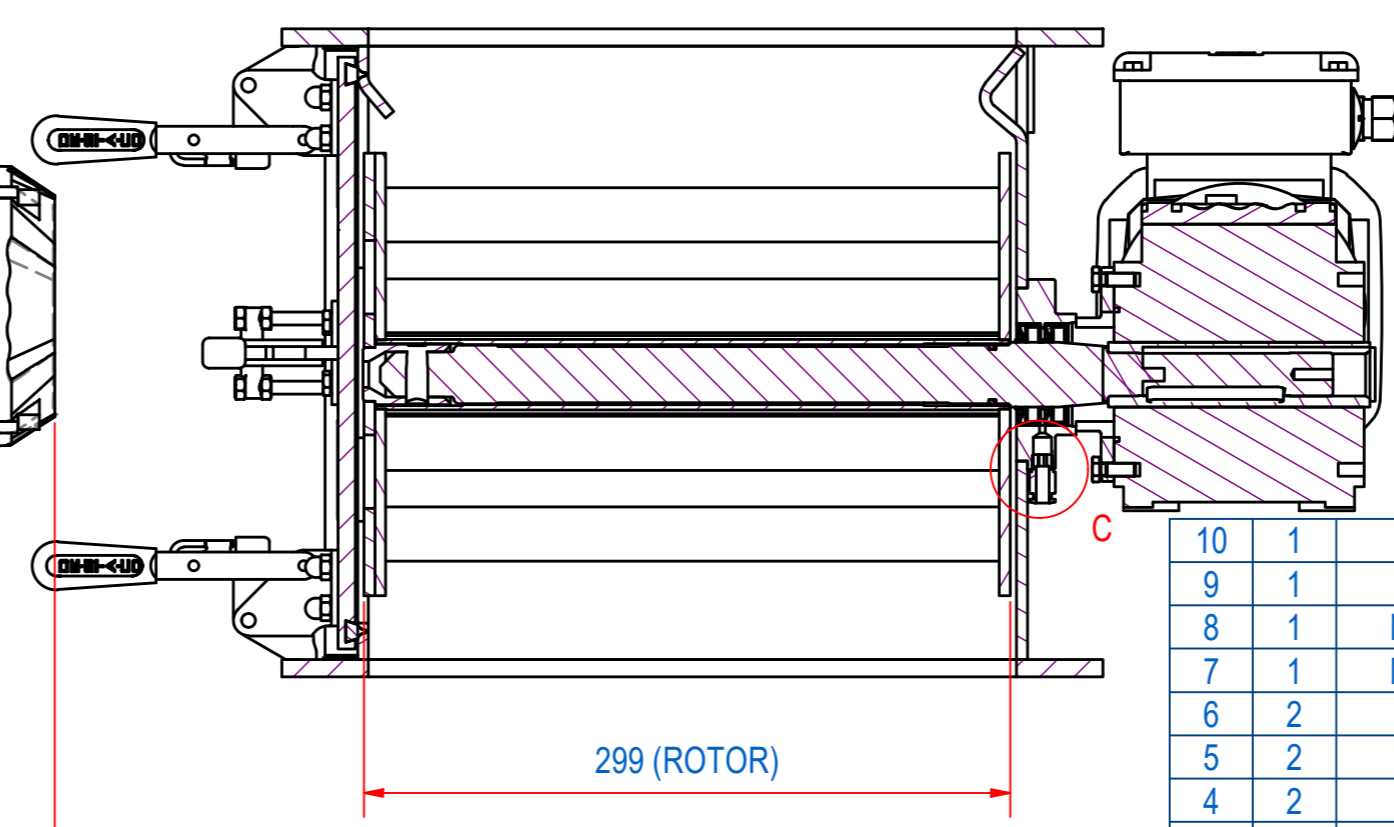
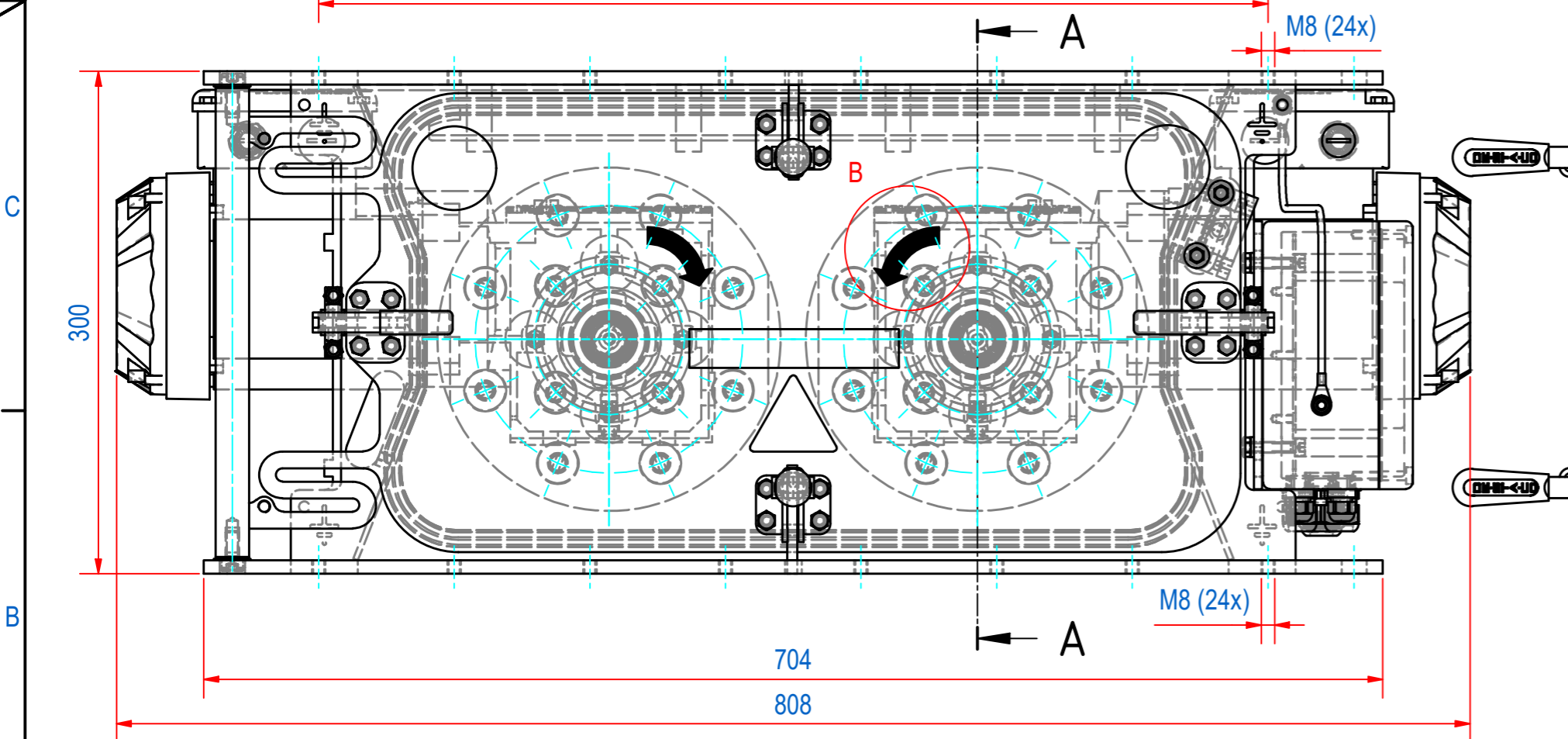
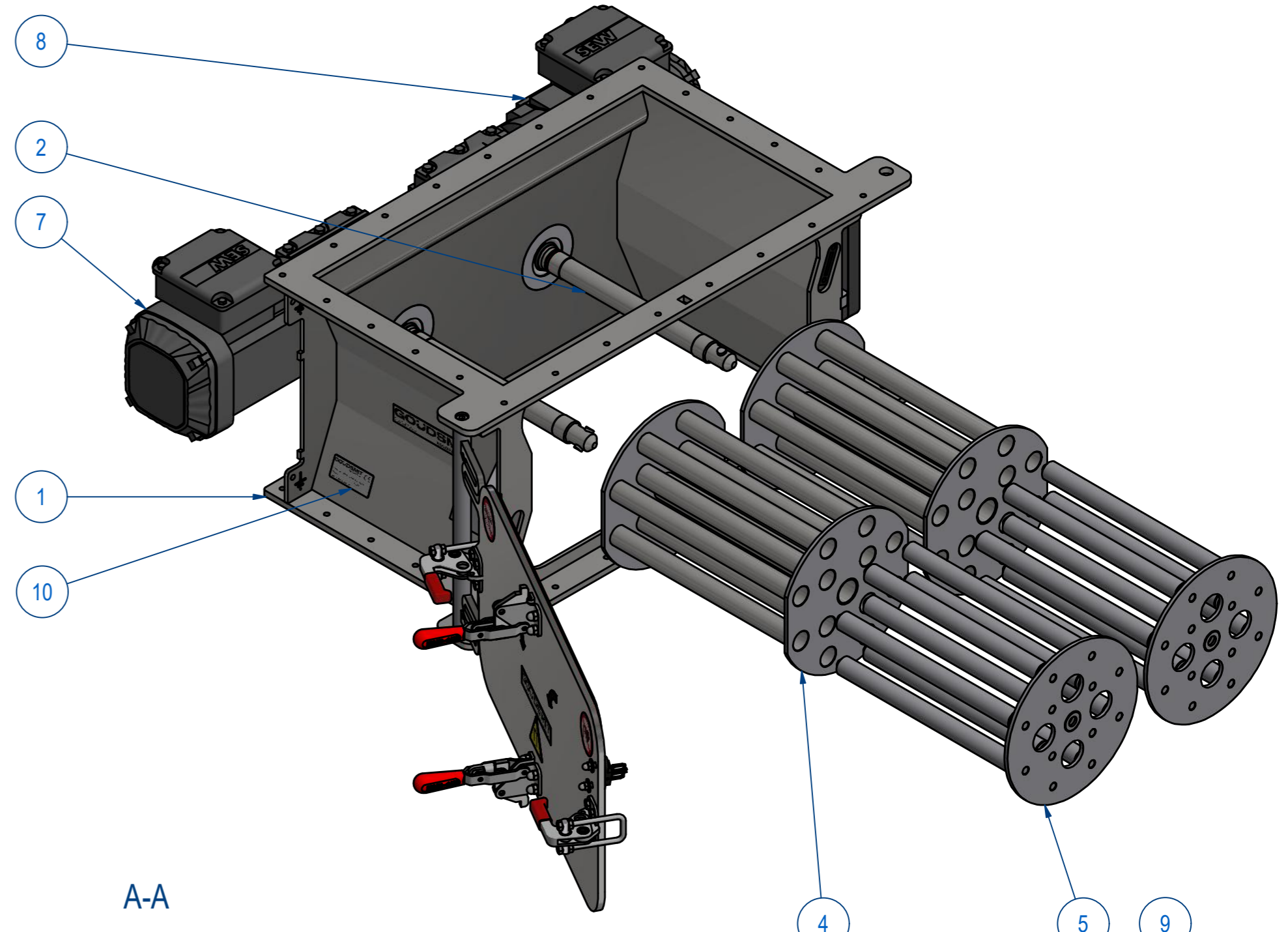
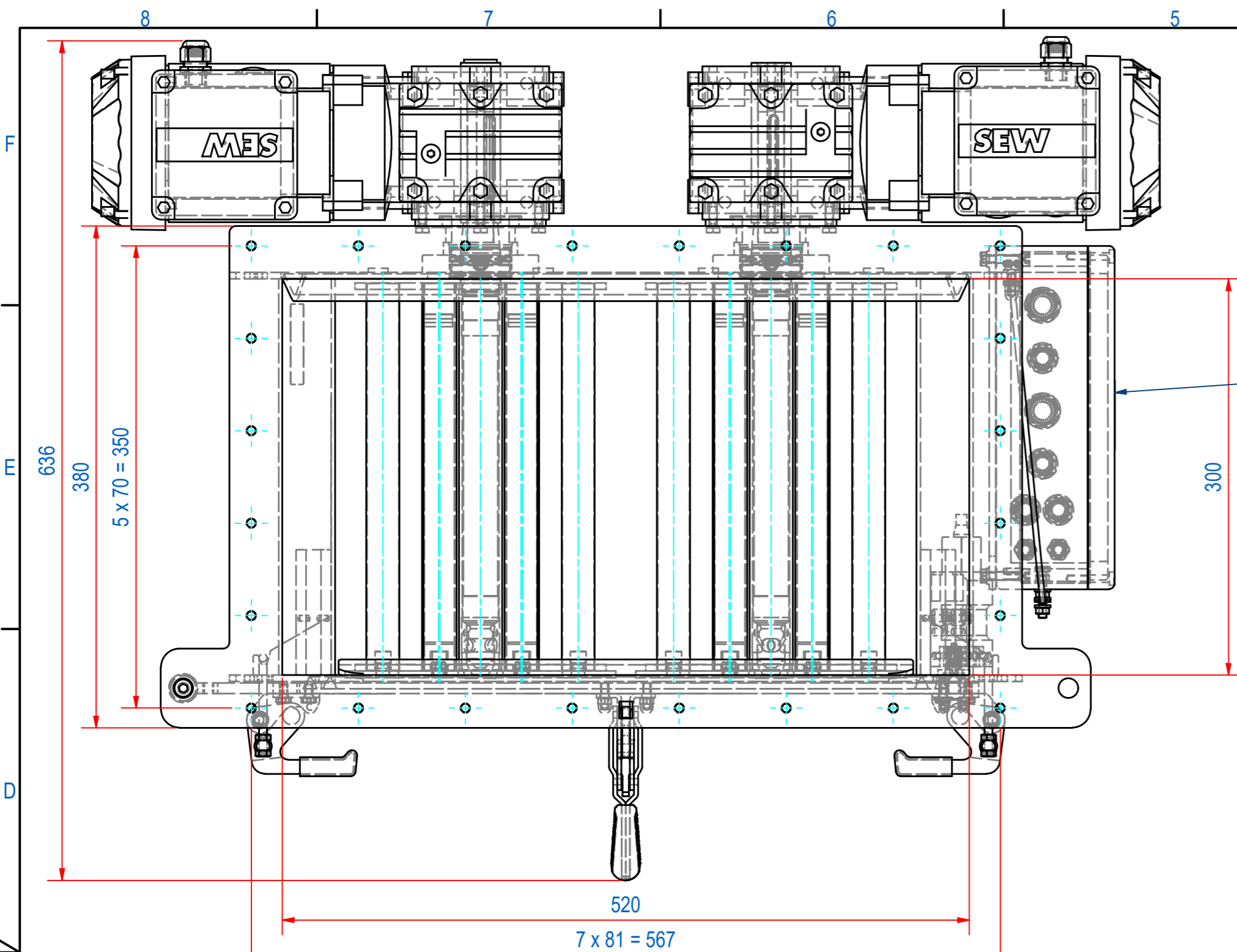


REV	DATE	BY	DESCRIPTION
-	2-4-2019	RO	NEW REVISION VAULT, NOTHING CHANGED, OLD REV WAS B
A	5-5-2020	CR	DIMENSIONS MOTOR CHANGED



ITEM	QTY	PART NUMBER	DESCRIPTION	Dimensions
10	1	E0090153	TYPE PLATE SECR_ NO ATEX	
9	1	E0090159	STICKERS FOR SCRA/SCRB	
8	1	MO03703511	SEW WA30 DRN71M4 35RPM	
7	1	MO03703503	WA30 DRN71M4 35RPM	
6	2	E0060897	TURNING DIRECTION CR5320	
5	2	E0047666	FRONT PLATE WITH 12B NdFeB	
4	2	A240050	EXTRACTOR 12 BARS CR3030	
3	1	A240198	TERMINAL BOX TWIN ROTOR ASSY	
2	2	A240060	SHAFT ASSY CR3030	
1	1	A240187	HOUSING + DOOR CR520x300	

RAW MAT.	Quantity	Material Number	Material Description	Length (mm)	Width (mm)
1	1				

Sheet: <b>A2</b> Drawn: <b>FS</b> Date: <b>28-9-2016</b> Spare part: <b>False</b> Quick search: <b>CR5230</b> Description: <b>SECR-B-5230-24E-N-NA-F1m-B-B</b>	Extra info: <b>GOUDSMIT MAGNETICS</b> <small>© All rights reserved. Reproduction is not permitted without written permission of GOUDSMIT Magnetic Systems BV</small>	General tolerance: <b>ISO 2768 - mK</b> Drawn according: <b>ISO 268; ISO 1101; ISO 2553</b> Status: <b>Standard</b> Customer reference number: Document number: <b>SCRA5230021</b> Part number: <b>SCRA5230021</b>
---	--	---