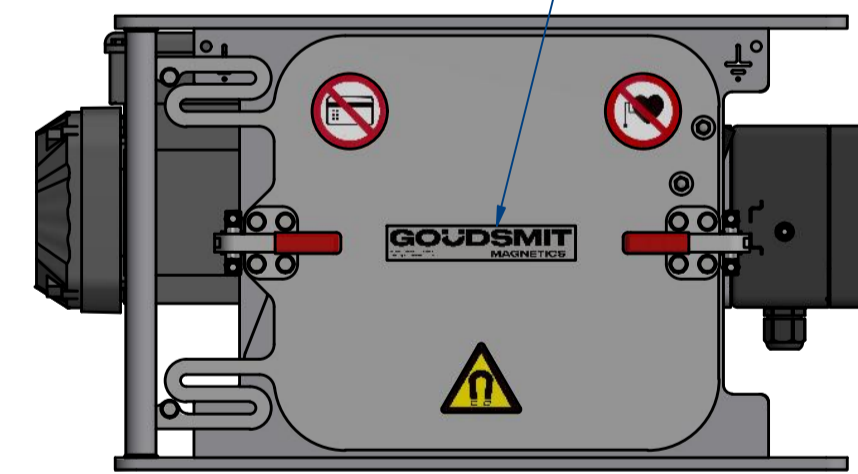
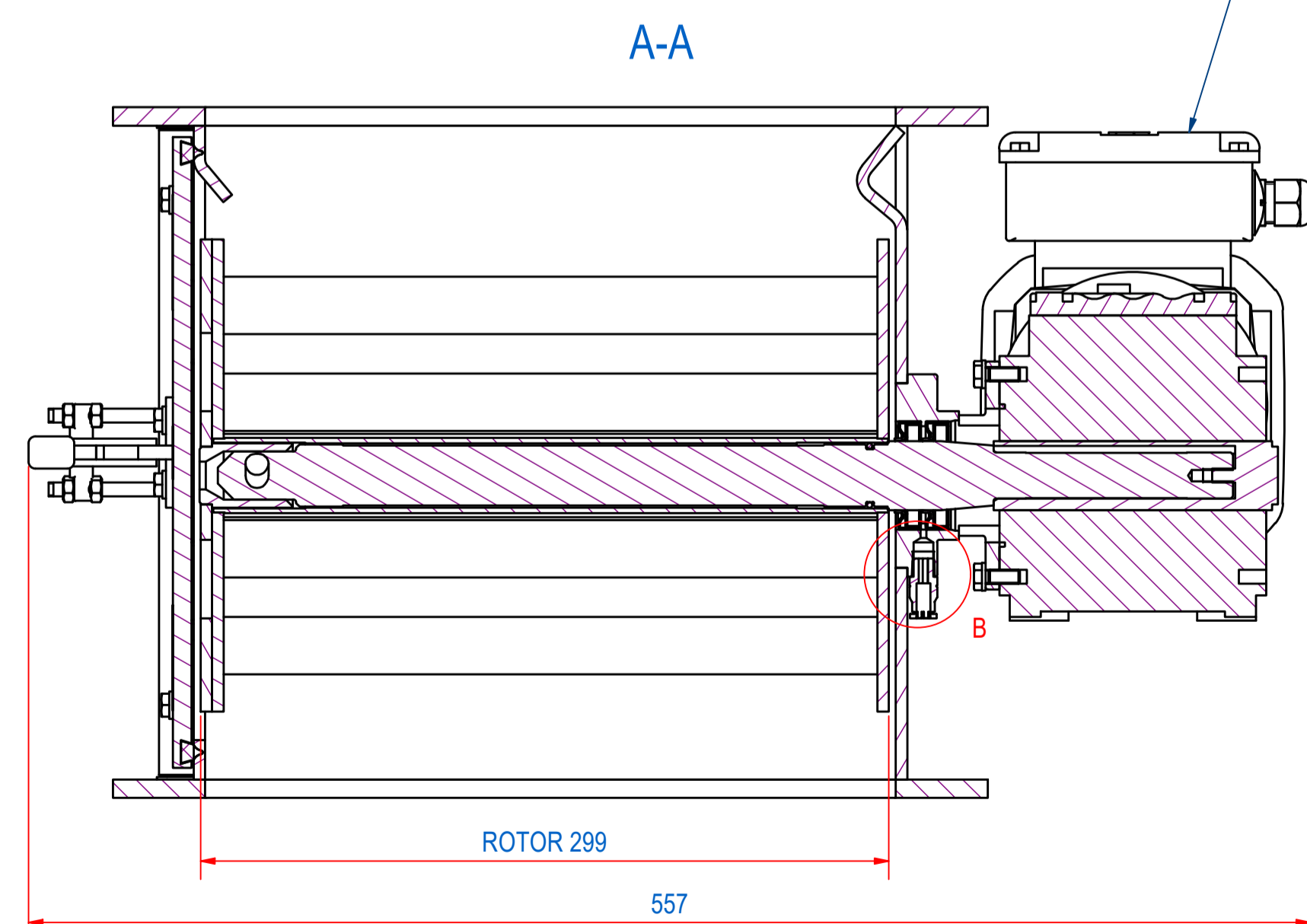
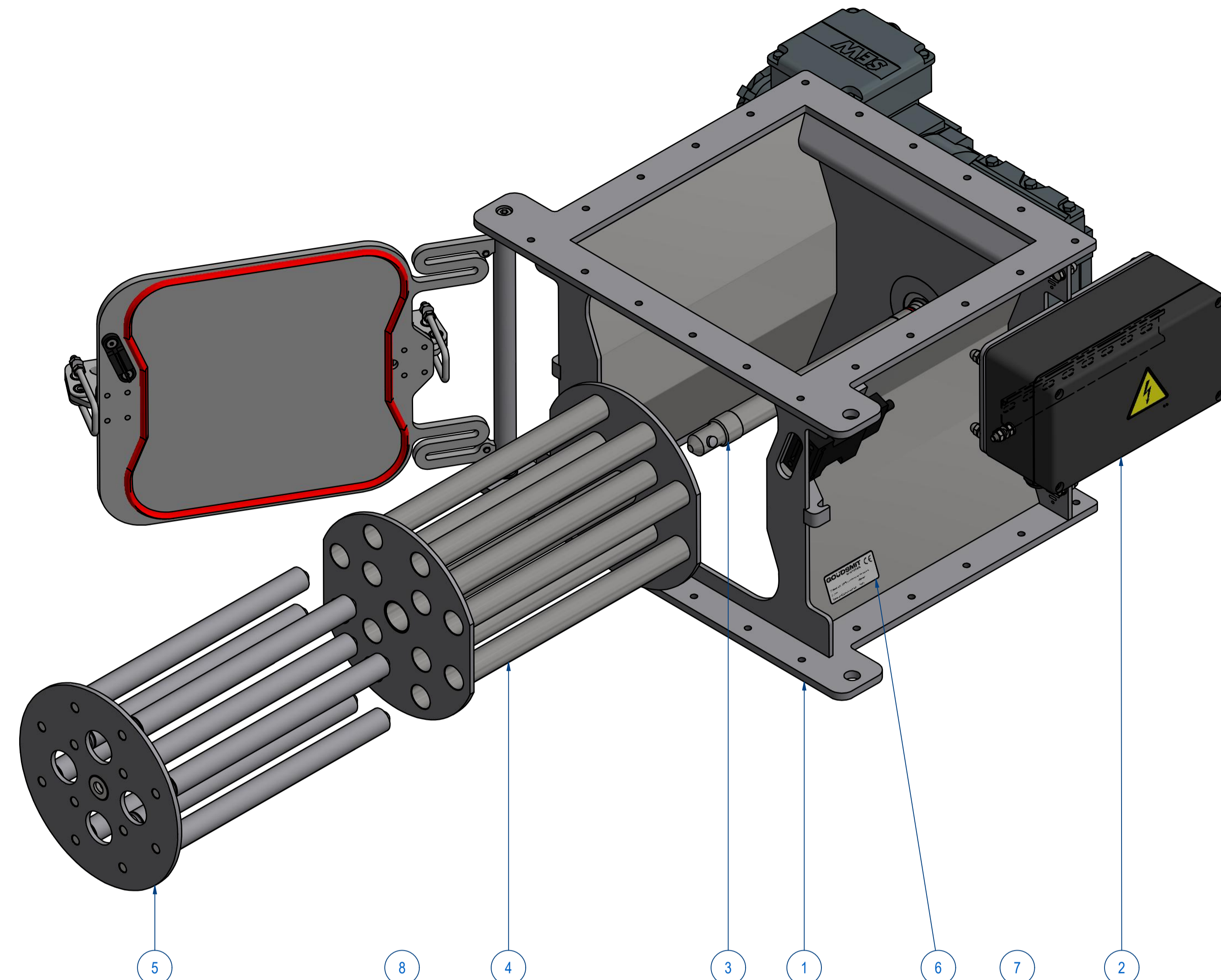
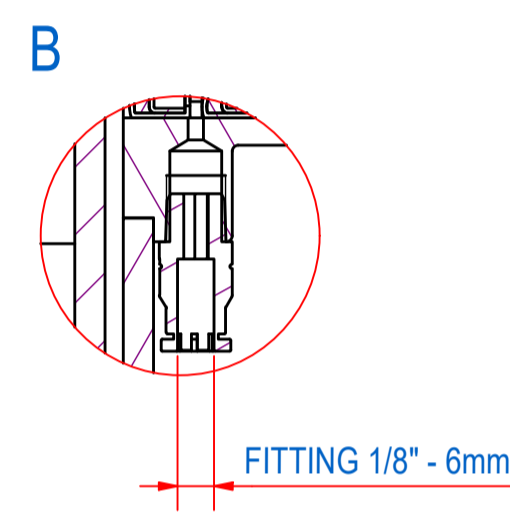
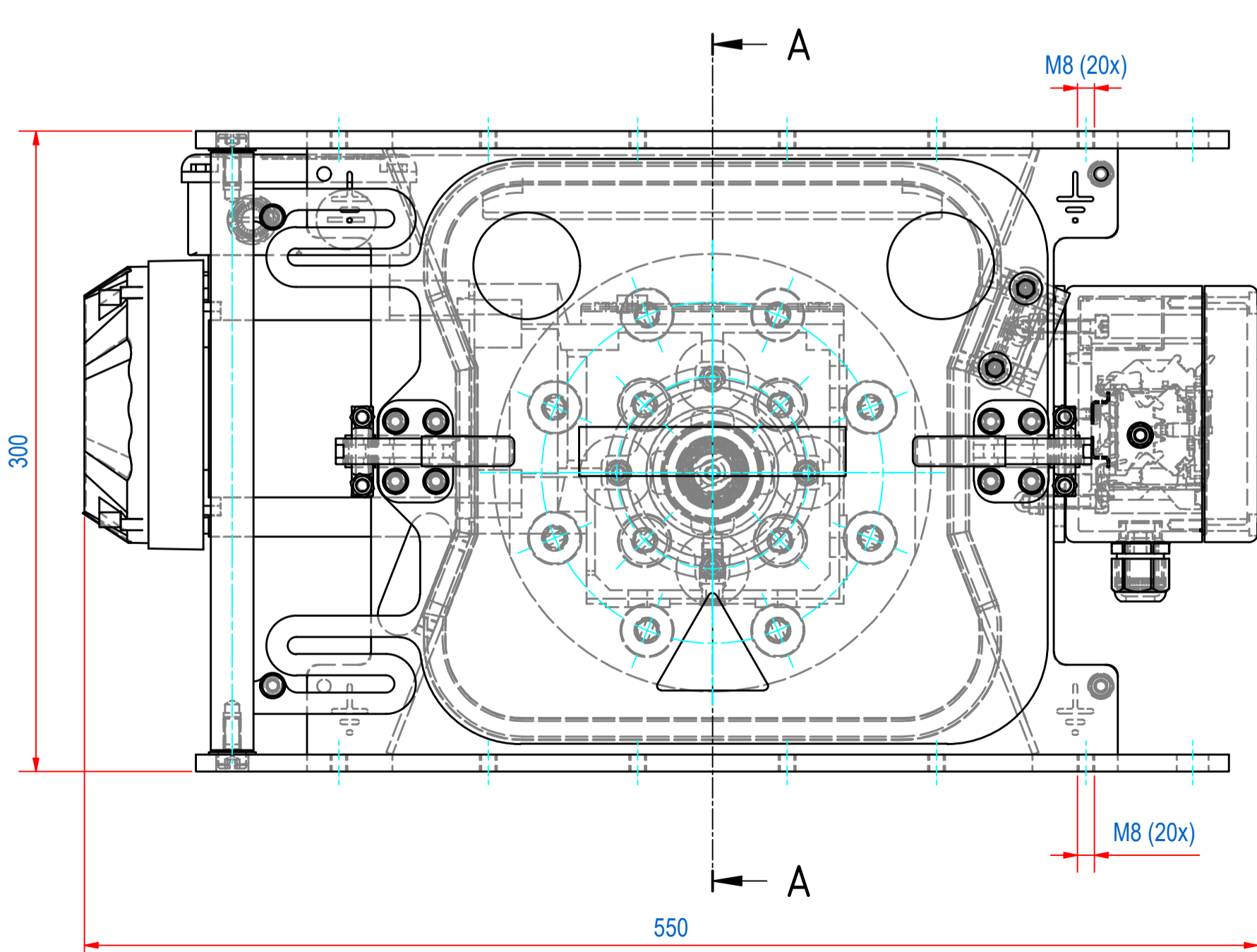
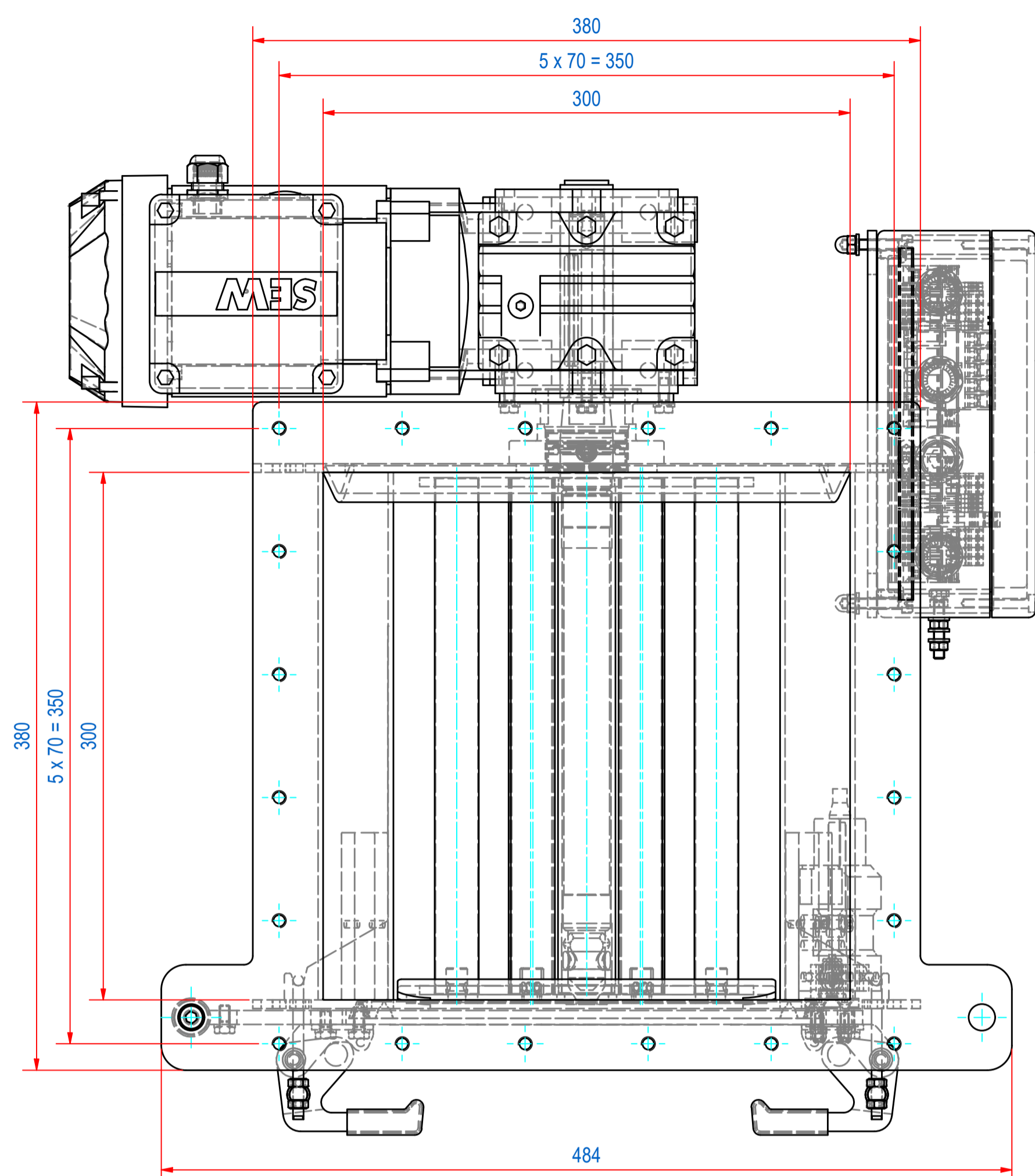


REV	DATE	BY	DESCRIPTION
A	1-7-2013	CR	STICKER (ITEM 5) CHANGED: WAS E0006483: VIEW 'B' ADDED
B	9-2-2018	CR	TYPE PLATE CHANGED: E0090153 WAS E0006483 AND WARNING STICKERS ADDED
C	17-4-2020	CR	DIMENSIONS MOTOR CHANGED



ITEM	QTY	PART NUMBER	DESCRIPTION	Dimensions
8	1	MO03703503	WA30 DRN71M4 35RPM	
7	1	E0090159	STICKERS FOR SCRA/SCRB	
6	1	E0090153	TYPE PLATE SECR - NO ATEX	
5	1	E0047666	FRONT PLATE WITH 12B NdFeB	
4	1	A240050	EXTRACTOR 12 BARS CR3030	
3	1	A240060	SHAFT ASSY CR3030	
2	1	A240059	TERMINAL BOX MOUNT ASSY	
1	1	A240057	HOUSE + DOOR CR3030	

RAW MAT.	Quantity	Material Number	Material Description	General tolerance:	Length (mm)	Width (mm)
	1			ISO 2768 - mK		

Drawn: CR	Weight (kg): 54	Sheet: A1	Extra info: Cleanflow magnet rotating Manual cleaning	General tolerance: ISO 2768 - mK
Date: 19-4-2013	Source: False	Drawn according: ISO268; ISO1101; ISO2553		Status: Standard
Spare part: False	Quick search: CR3030	Description: SECR-B-3030-12E-N-NA-F5m-B-B		Customer reference number: SCRB3030021
© All rights reserved. Reproduction is not permitted without written permission of GOUDSMIT Magnetic Systems BV				Doc. Rev: C
Part number: SCRB3030021				Rev: C