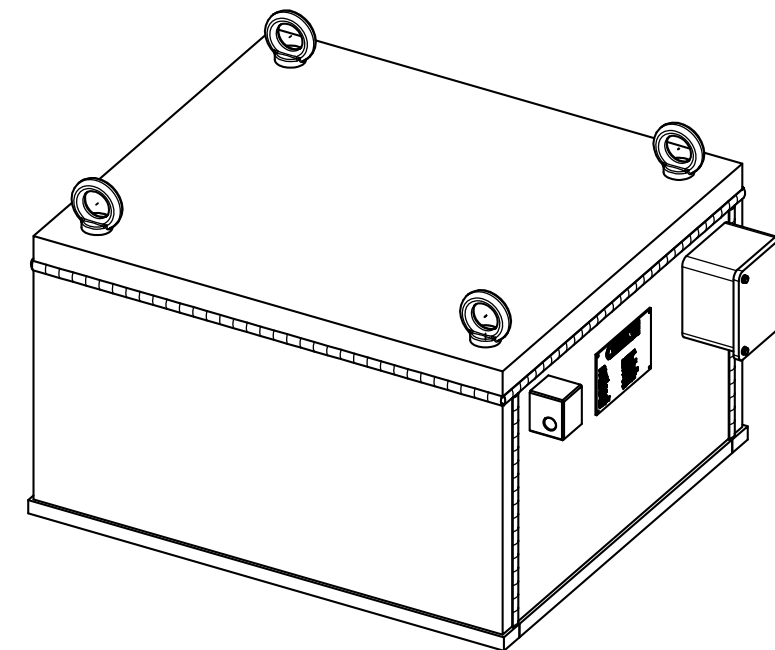
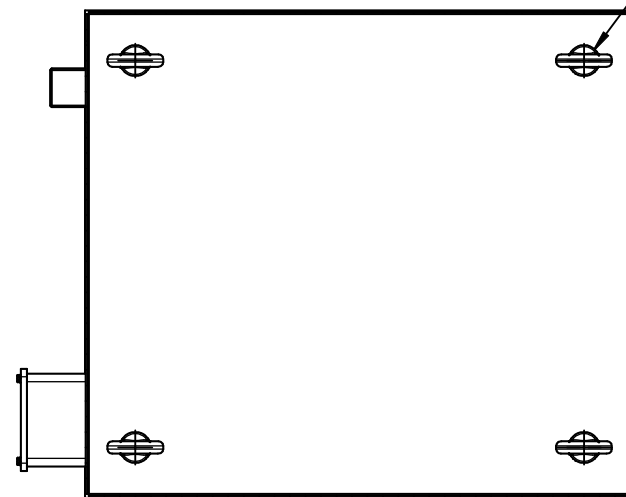


Eyebolt M20



A2 ISO 2768-CL	Drawn: MSE	Ref. Client:	Quant:
	Date: 02-06-2005	Order:	
Unit: st	Scale: 1:8		L: 0m
Spare:	ArtGrp: XSBE	Std: ODDV	W: 0m
TITLE: ELECTRO BLOCK MAGNET EP5 2 kW BLOCK MAGNET L700xB620xH410			H: 0m
		Artnr: SEBM020001	M: 0kg
		Rev: B	