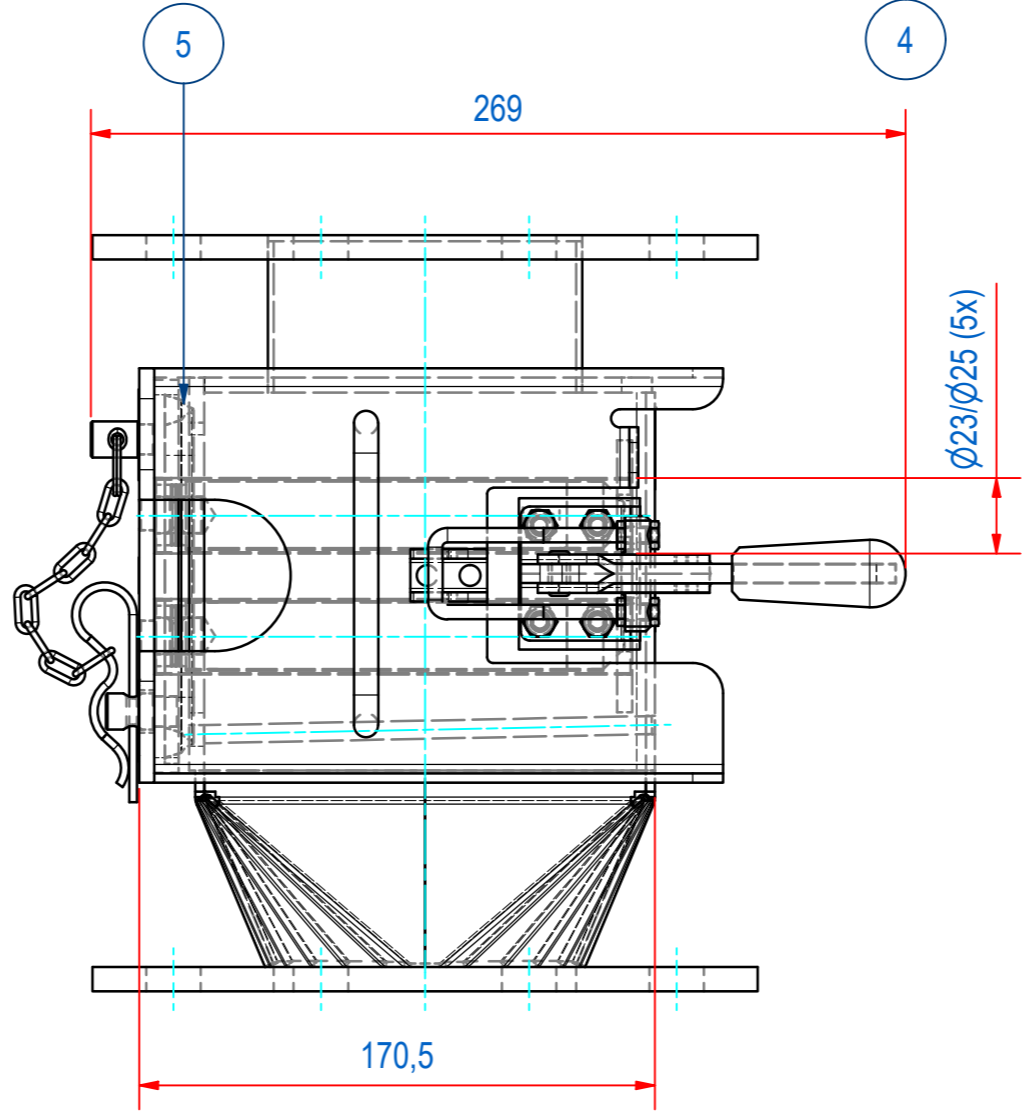
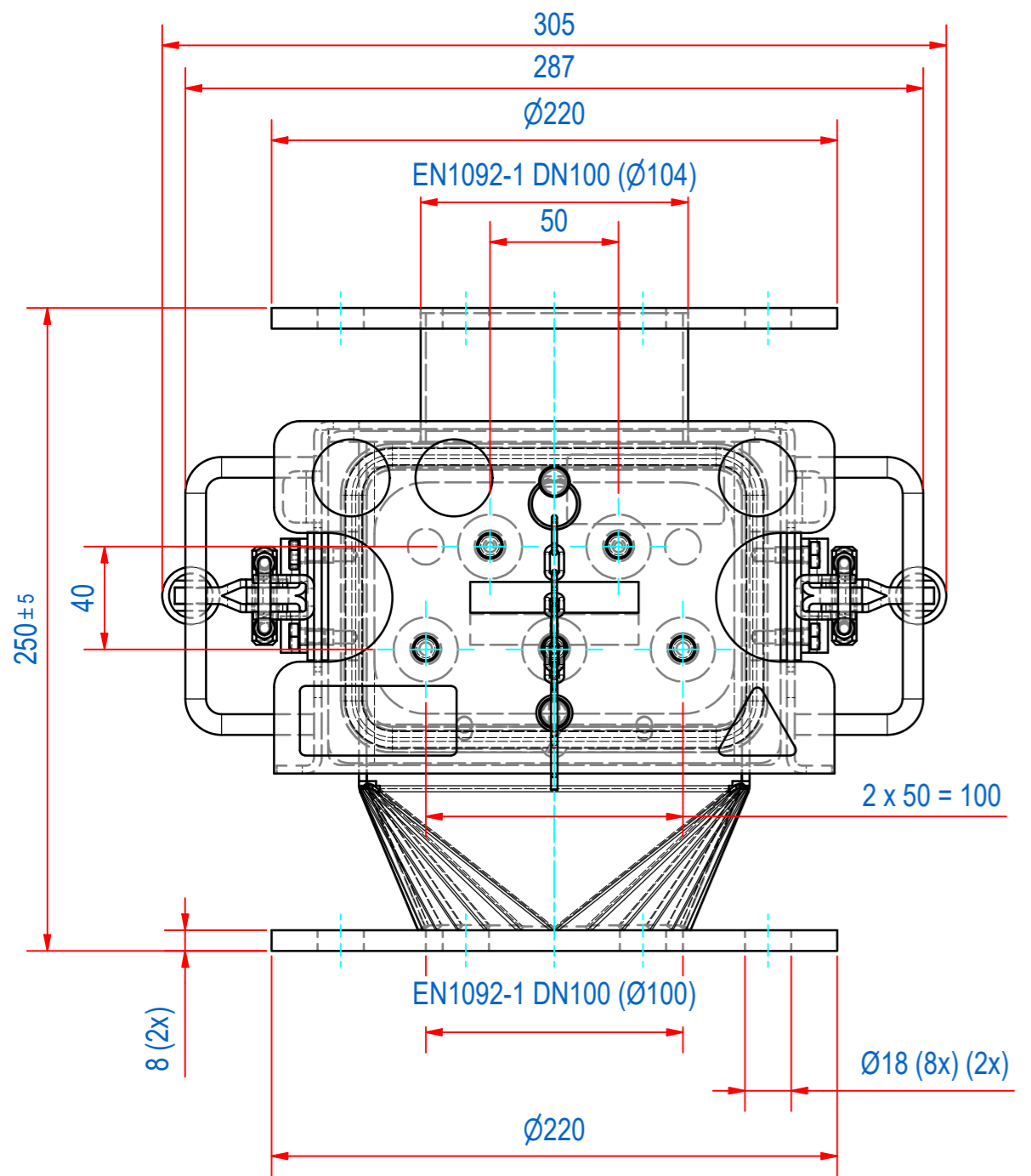
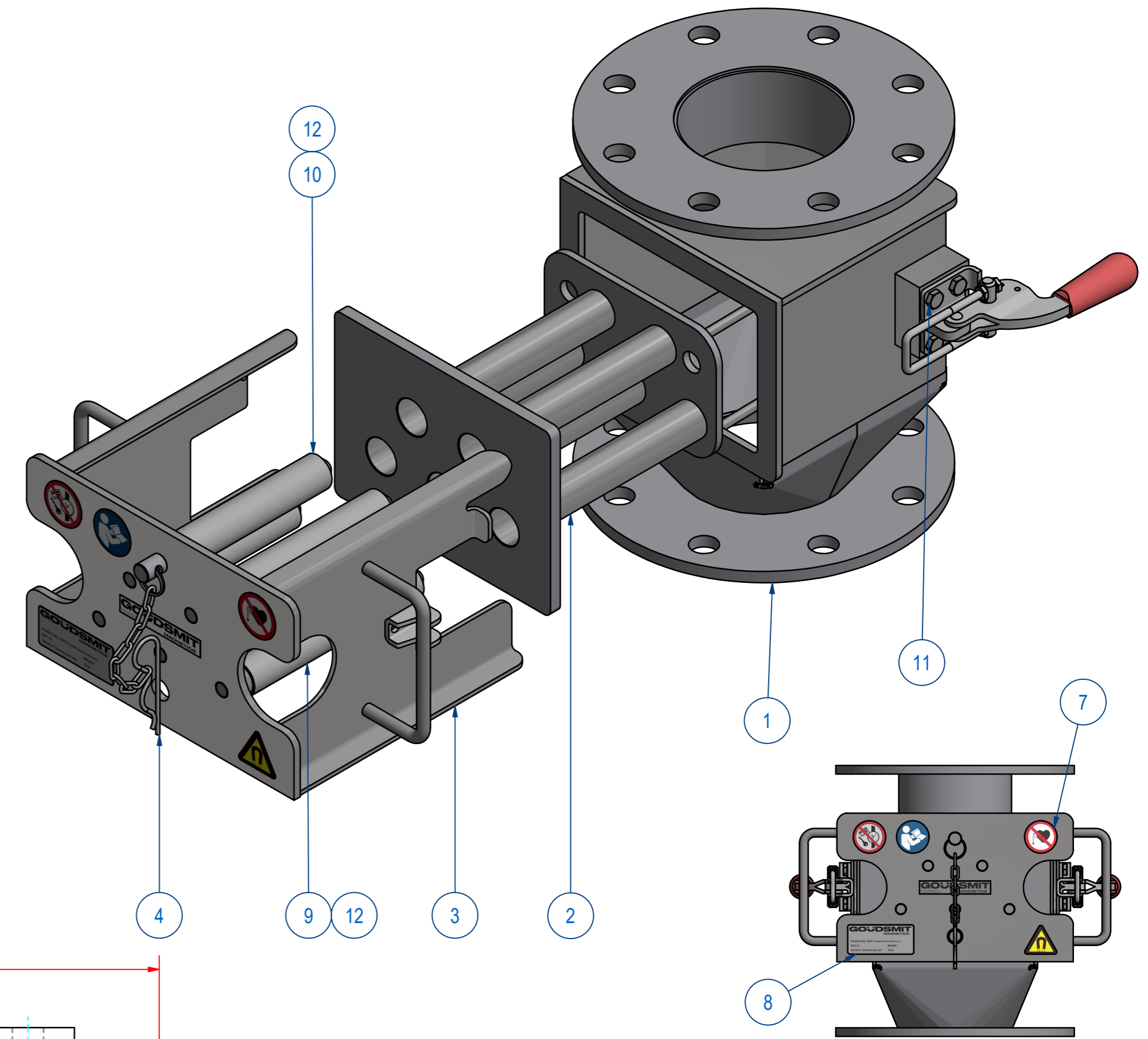
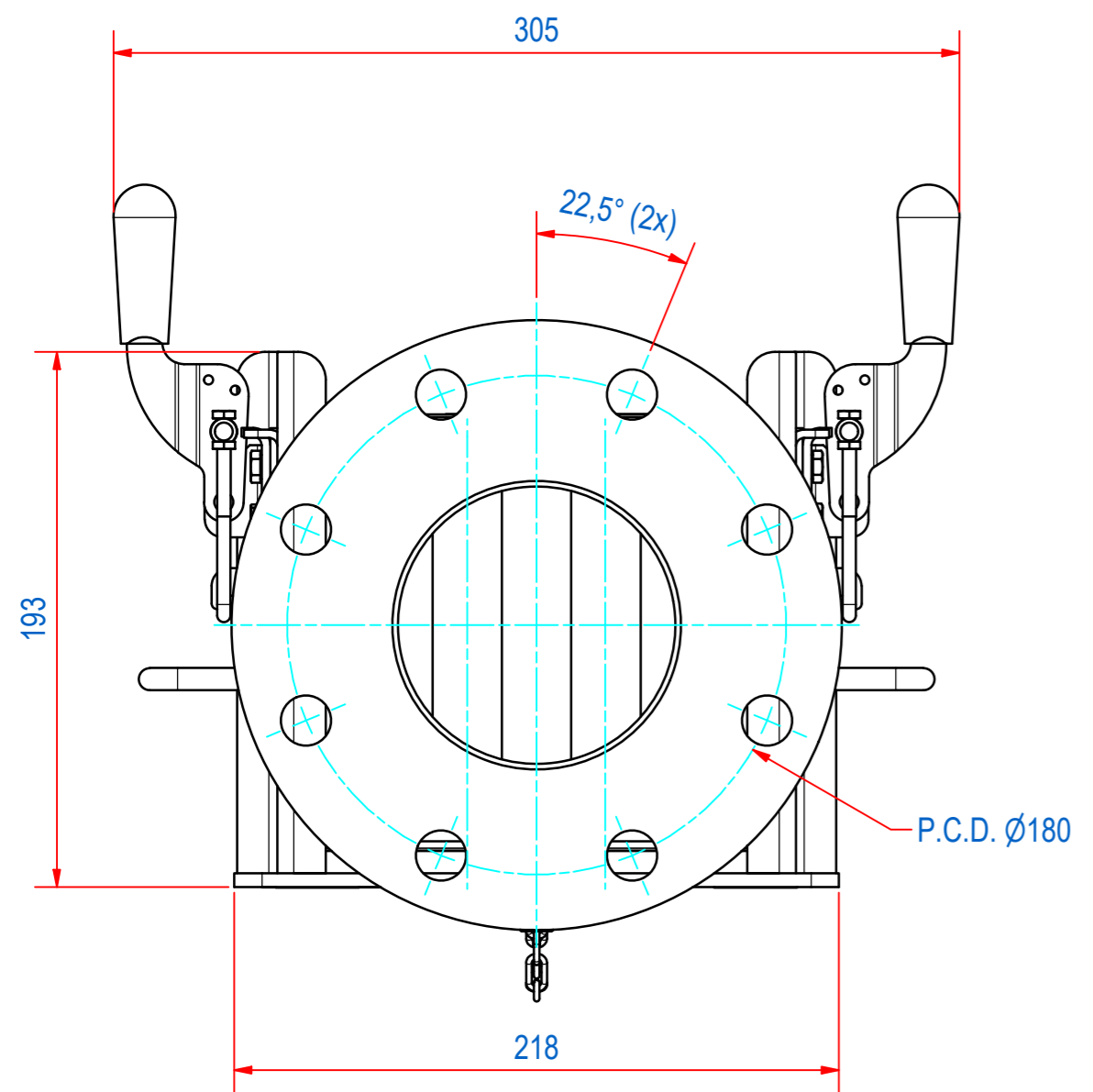


REV	DATE	BY	DESCRIPTION
C	23-10-2018	CR	TYPE PLATE AND WARNING STICKERS ADDED
D	10-12-2019	CR	MAGNETIC BARS CHANGED
E	17-7-2023	CR	STICKER ADDED; REFER TO INSTRUCTIONS



ITEM	QTY	PART NUMBER	DESCRIPTION	Dimensions
12	5	72.9900002	PIN, S SLOTTED 3 x 20 - A2	3 x 20
11	8	50.1306010	BOLT, HEX M6x10-A4	M6 x 10
10	2	SBAME100009-155	BAR-N-23-155-25-CPC-SH-B	
9	3	SBAME100000-155	BAR-N-23-155-25-CPC-SW-B	
8	2	E0086350	SECF-000-TYPE PLATE	
7	1	E0103874	STICKERS FOR SECF D100/CF1515	
5	1	E0004117	SECF-S-100-SEAL SILI RED E1935	
4	1	M15489	SECF-S-LOCK WITH CHAIN "SAFE"	
3	1	M15529	SECF-S-FRONT CF100	
2	1	E0004119	SECF-S EXTRACTOR CF100	
1	1	M15514	SECF-WELD ASSY HOUSE CF100	

RAW MAT.	Quantity	Material Number	Material Description	Length (mm)	Width (mm)
⊕	Sheet:	A2	Extra info:	General tolerance: ISO 2768 - mK	
Drawn:	Weight (kg):	CR	14	Drawn according: ISO286; ISO1101; ISO2553	
Date:	12-7-2019	GOUDSMIT MAGNETICS		Status: Standard	
Spare part:	False	Source:	MC-C	Customer reference number:	
Quick search:	CF100NB	© All rights reserved. Reproduction is not permitted without written permission of GOUDSMIT Magnetic Systems BV		Document number:	Doc.Rev:
Description:	SECF-B-D100-05E-N-F1E-W-B-B-SR	Part number:		SECF100638	E
				Rev:	E