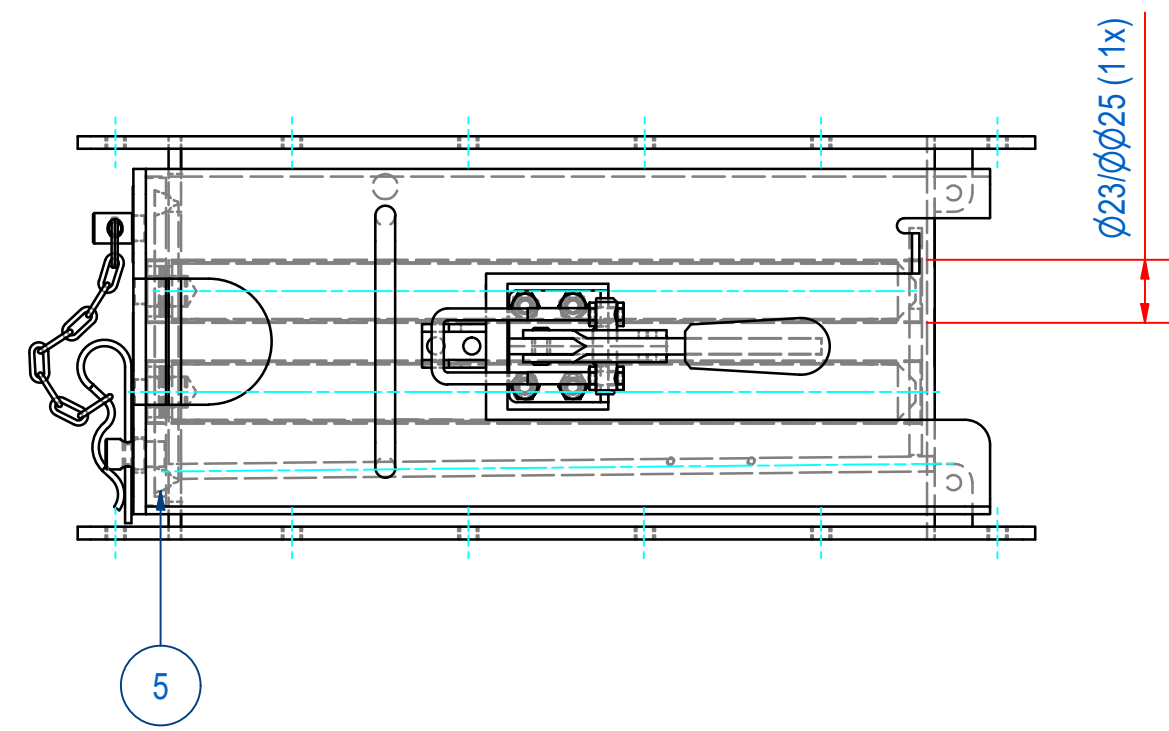
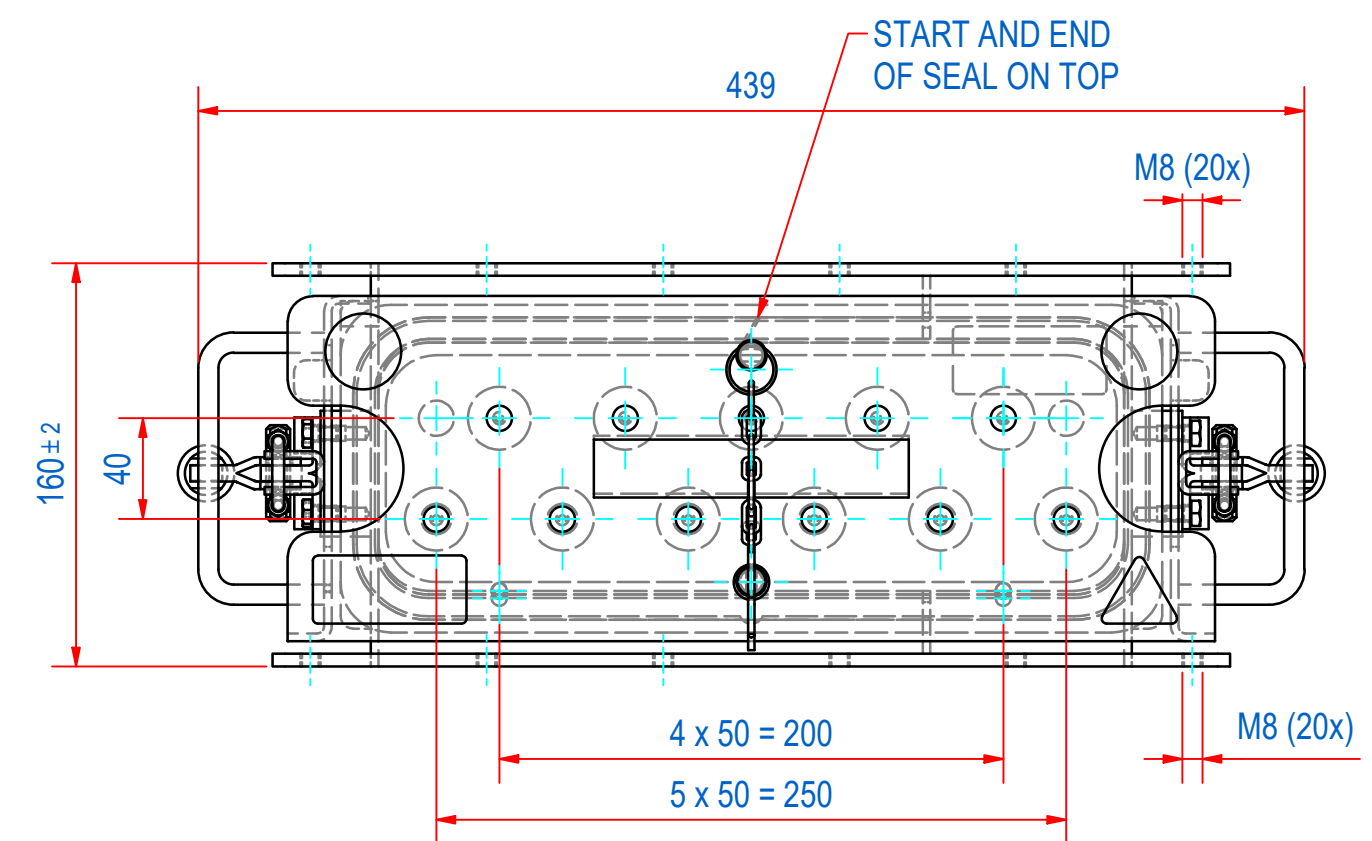
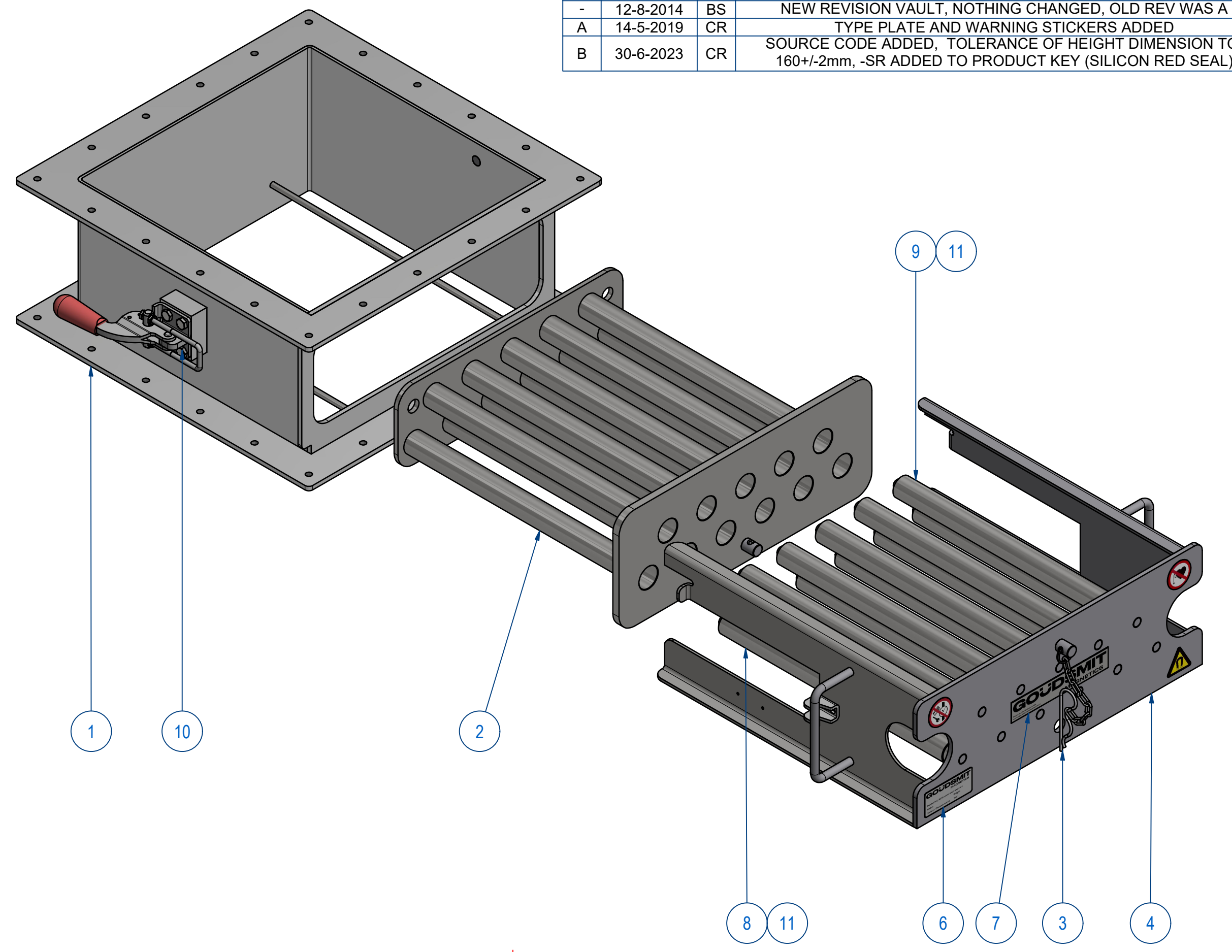
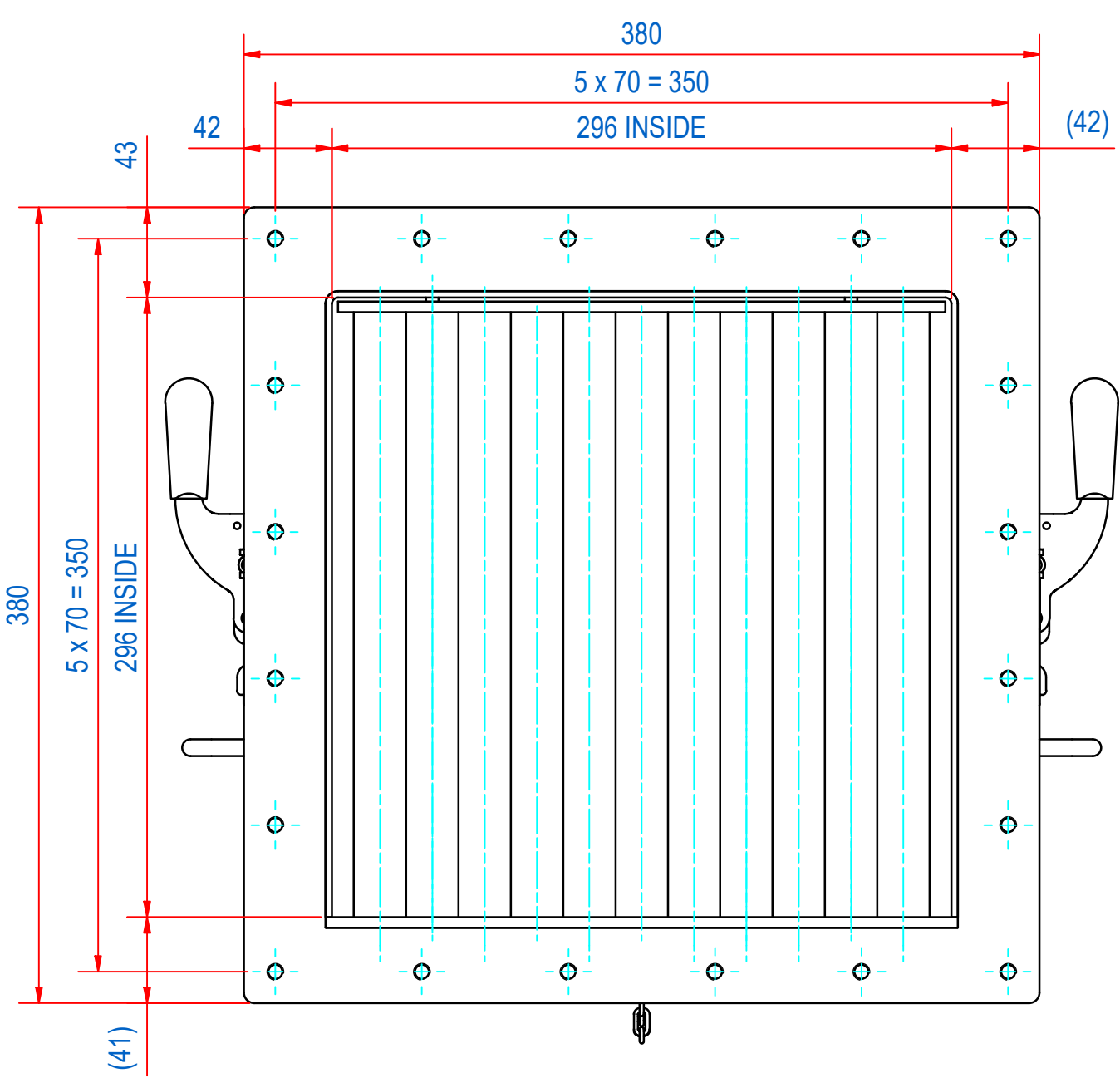


REV	DATE	BY	DESCRIPTION
-	12-8-2014	BS	NEW REVISION VAULT, NOTHING CHANGED, OLD REV WAS A
A	14-5-2019	CR	TYPE PLATE AND WARNING STICKERS ADDED
B	30-6-2023	CR	SOURCE CODE ADDED, TOLERANCE OF HEIGHT DIMENSION TO 160+/-2mm, -SR ADDED TO PRODUCT KEY (SILICON RED SEAL)



ITEM	QTY	PART NUMBER	DESCRIPTION	Dimensions
11	11	72.9900002	PIN, S SLOTTED 3 x 20 - A2	3 x 20
10	8	50.1306010	BOLT, HEX M6x10-A4	M6 x 10
9	5	SBAME100009-305	BAR-N-23-305-25-CPC-NW-B	
8	6	SBAME100000-305	BAR-N-23-305-25-CPC-NH-B	
7	1	E0093454	STICKERS FOR SECF250-300-350	
6	2	E0086350	TYPE PLATE SECF	
5	1	E0005412	SECF-S-300-SEAL SILI RED EC1935	
4	1	M15771	SECF-3030-FRONT INSERT 11B	
3	1	M15489	SECF-S-LOCK WITH CHAIN "SAFE"	
2	1	A250375	SECF-S-3030 EXTRACTOR 11B	
1	1	A250192	SECF-WELD ASSY HOUSE CF3030	

RAW MAT.	Quantity	Material Number	Material Description	Length (mm)	Width (mm)
	1				

Sheet: <b>A2</b>	Extra info: <b>CLEANFLOW MAGNET MANUAL CLEANING</b>	General tolerance: <b>ISO 2768 - mK</b>
Drawn: <b>CR</b>	Weight (kg): <b>28</b>	Drawn according: <b>ISO268; ISO1101; ISO2553</b>
Date: <b>8-7-2019</b>		Status: <b>Standard</b>
Spare part: <b>False</b>	Source: <b>MC-C</b>	Customer reference number:
Quick search: <b>CF3030</b>		
Description: <b>SECF-B-3030-11E-N-F1E-W-B-B-SR</b>	Document number: <b>SECF300438</b>	Doc.Rev: <b>B</b>
	Part number: <b>SECF300438</b>	Rev: <b>B</b>