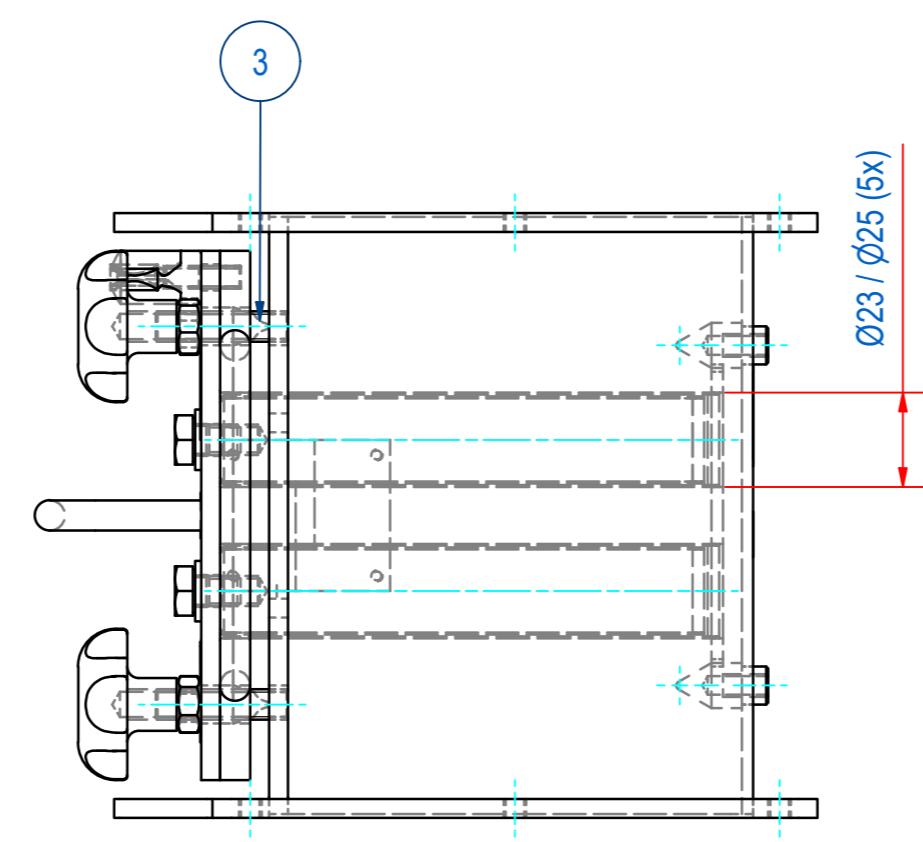
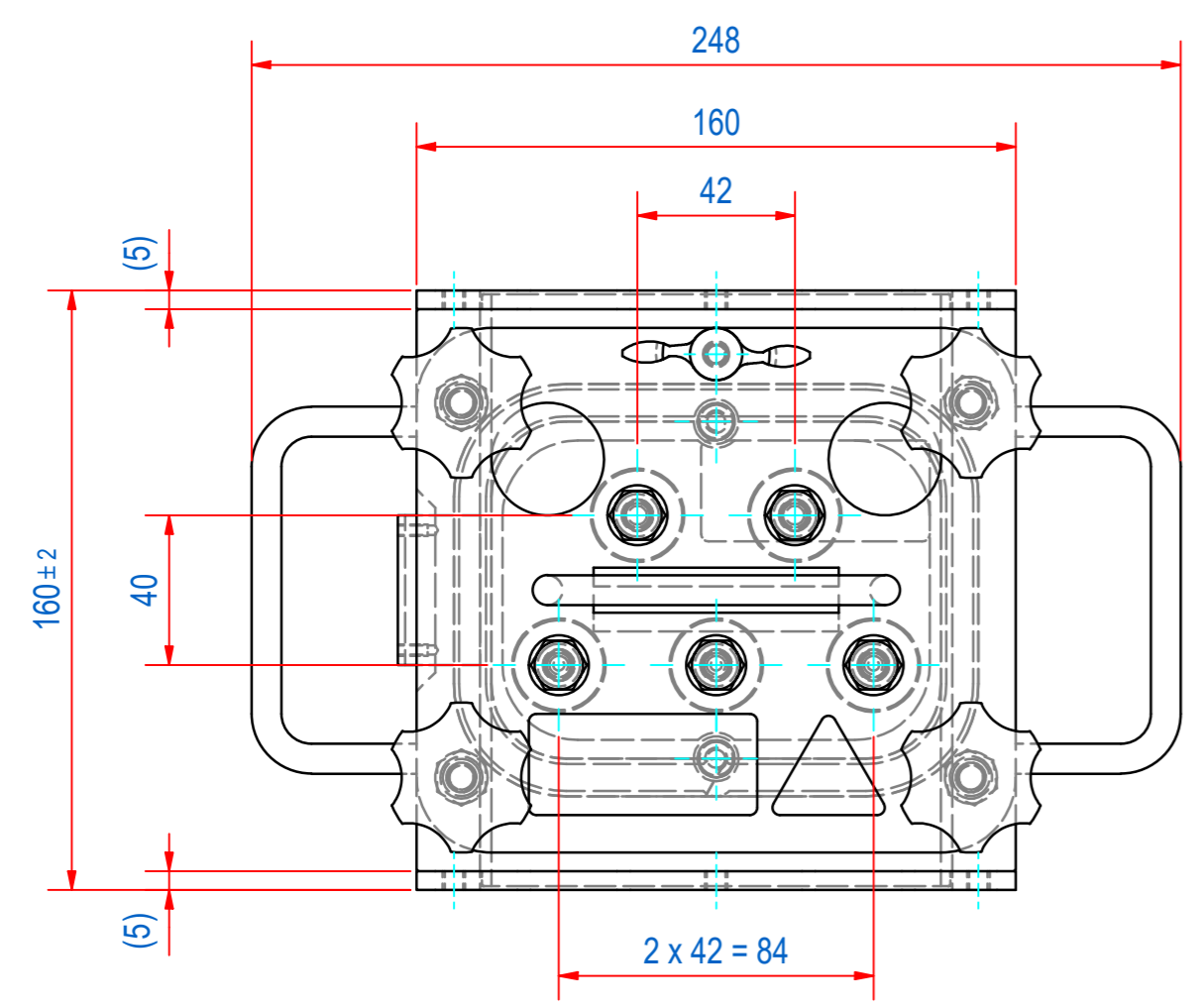
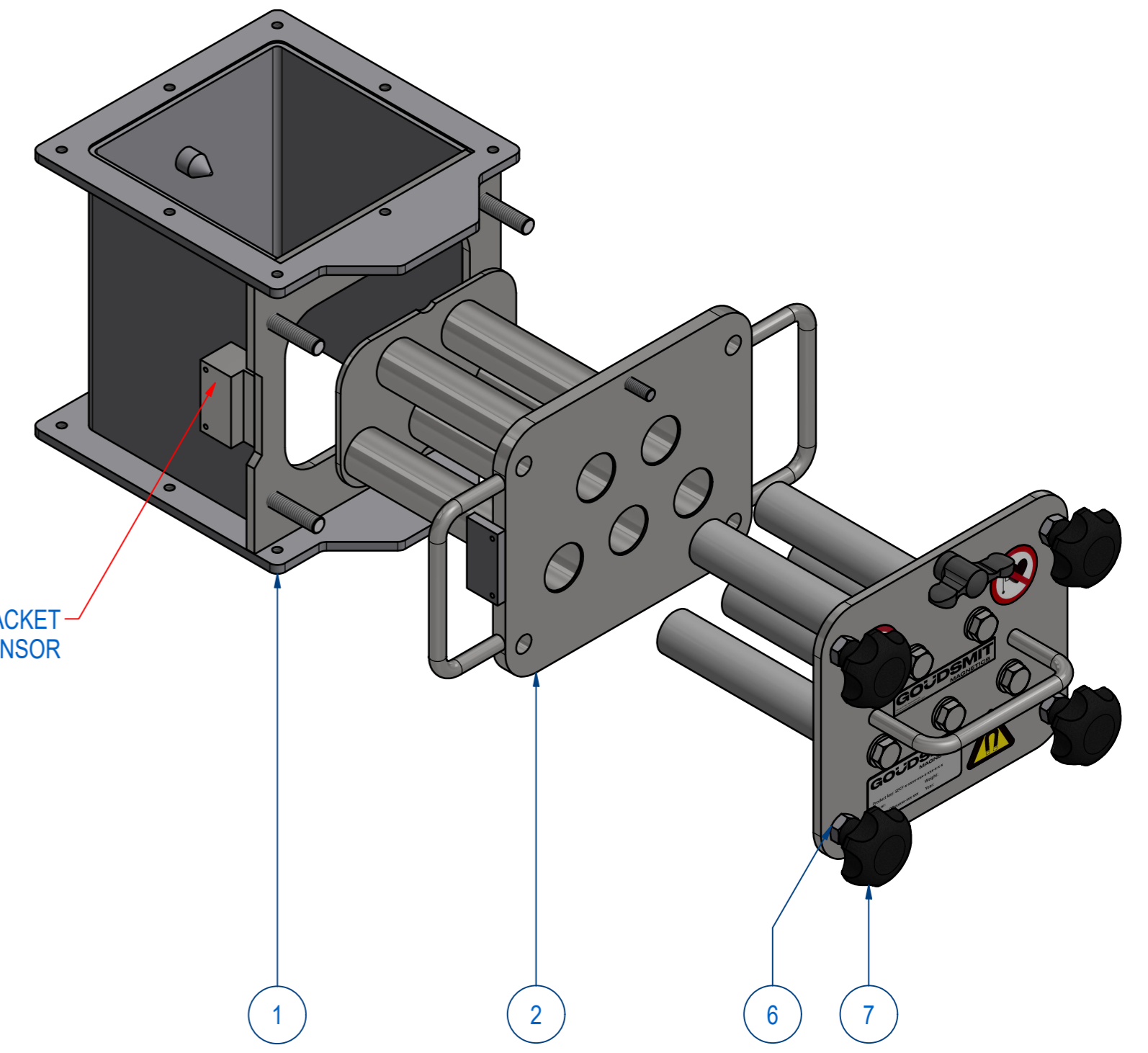
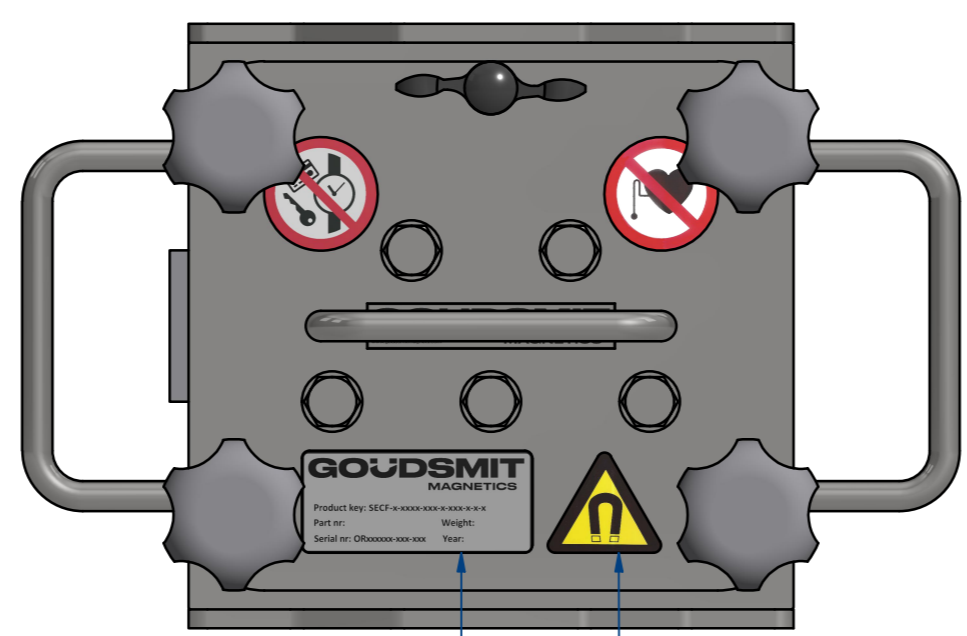
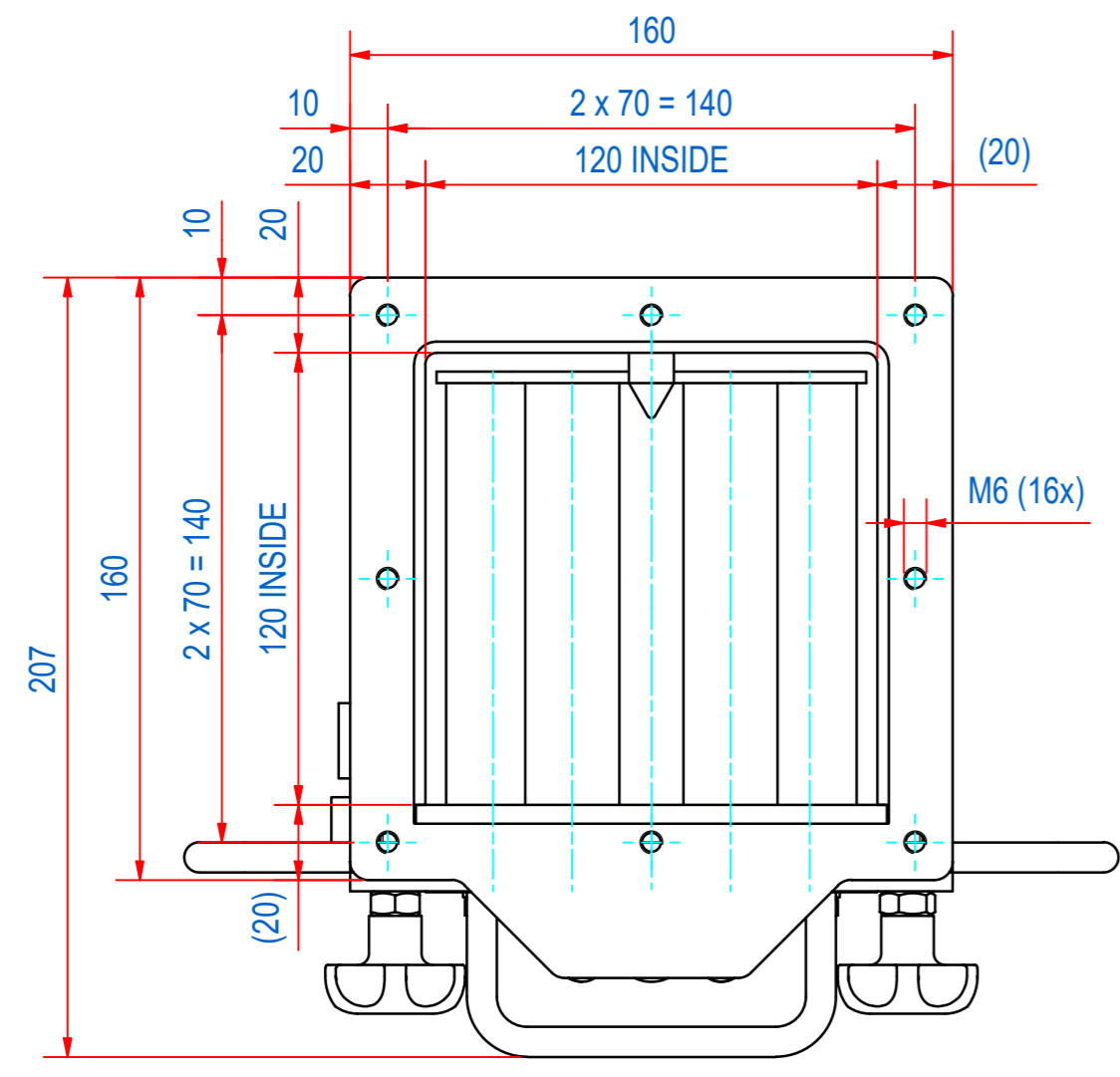


| REV | DATE      | BY | DESCRIPTION  |
|-----|-----------|----|--|
| -   | 19-3-2013 | FS | NEW VAULT, NOTHING CHANGED, IS EQUAL TO OLD REVISION A   |
| A   | 2-5-2018  | CR | TYPE PLATE AND WARNING STICKERS ADDED  |
| B   | 30-6-2023 | CR | TOLERANCE OF HEIGHT DIMENSION TO 160+/-2mm, SOURCE CODE ADDED, -SR ADDED TO PRODUCT KEY (SILICON RED SEAL) |



| ITEM | QTY | PART NUMBER | DESCRIPTION                      | Dimensions |
|------|-----|-------------|----------------------------------|------------|
| 7    | 4   | 1005.10022  | KNOB M8 SS STAR                  |            |
| 6    | 4   | 60.0300008  | NUT, HEX M8 - A4                 | M8         |
| 5    | 2   | E0086350    | TYPE PLATE SECF                  |            |
| 4    | 1   | E0093535    | STICKERS FOR SECF99 2+3B         |            |
| 3    | 1   | E0021524    | SECF-S-1212 SEAL SILI RED EC1935 |            |
| 2    | 1   | A250769     | SECFP-S-120-INSERT 5 BARS        |            |
| 1    | 1   | A250768     | SECFP-1212-HOUSE                 |            |

| RAW MAT. | Quantity | Material Number | Material Description | Length (mm) | Width (mm) |
|----------|----------|-----------------|----------------------|-------------|------------|
| ⊕        | 1        |                 |                      |             |            |

|  |                                    |  |
|--|------------------------------------|--|
| Sheet: <b>A2</b>                                   | Extra info:                        | General tolerance: <b>ISO 2768 - mK</b>          |
| Drawn: <b>CR</b>                                   | Weight (kg): <b>8,3</b>            | Drawn according: <b>ISO268; ISO1101; ISO2553</b> |
| Date: <b>12-7-2019</b>                             |                                    | Status: <b>Standard</b>                          |
| Spare part: <b>False</b>                           | Source: <b>MC-C</b>                | Customer reference number:                       |
| Quick search: <b>CFP120</b>                        |                                    |  |
| Description: <b>SECF-P-1212-05E-N-F1m-W-B-B-SR</b> | Document number: <b>SECFP12030</b> | Doc.Rev: <b>B</b>                                |
|  | Part number: <b>SECFP12030</b>     | Rev: <b>B</b>                                    |