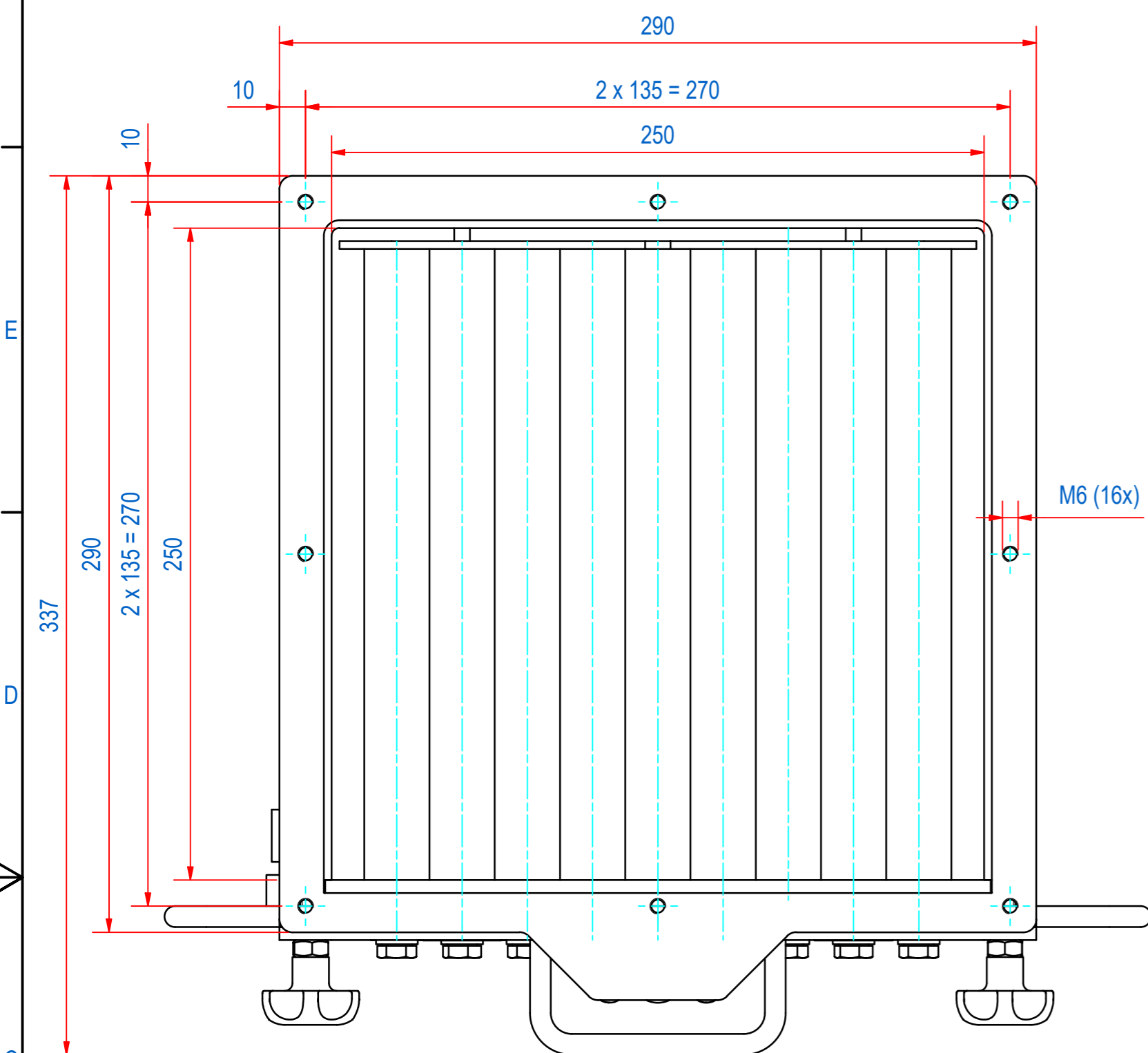
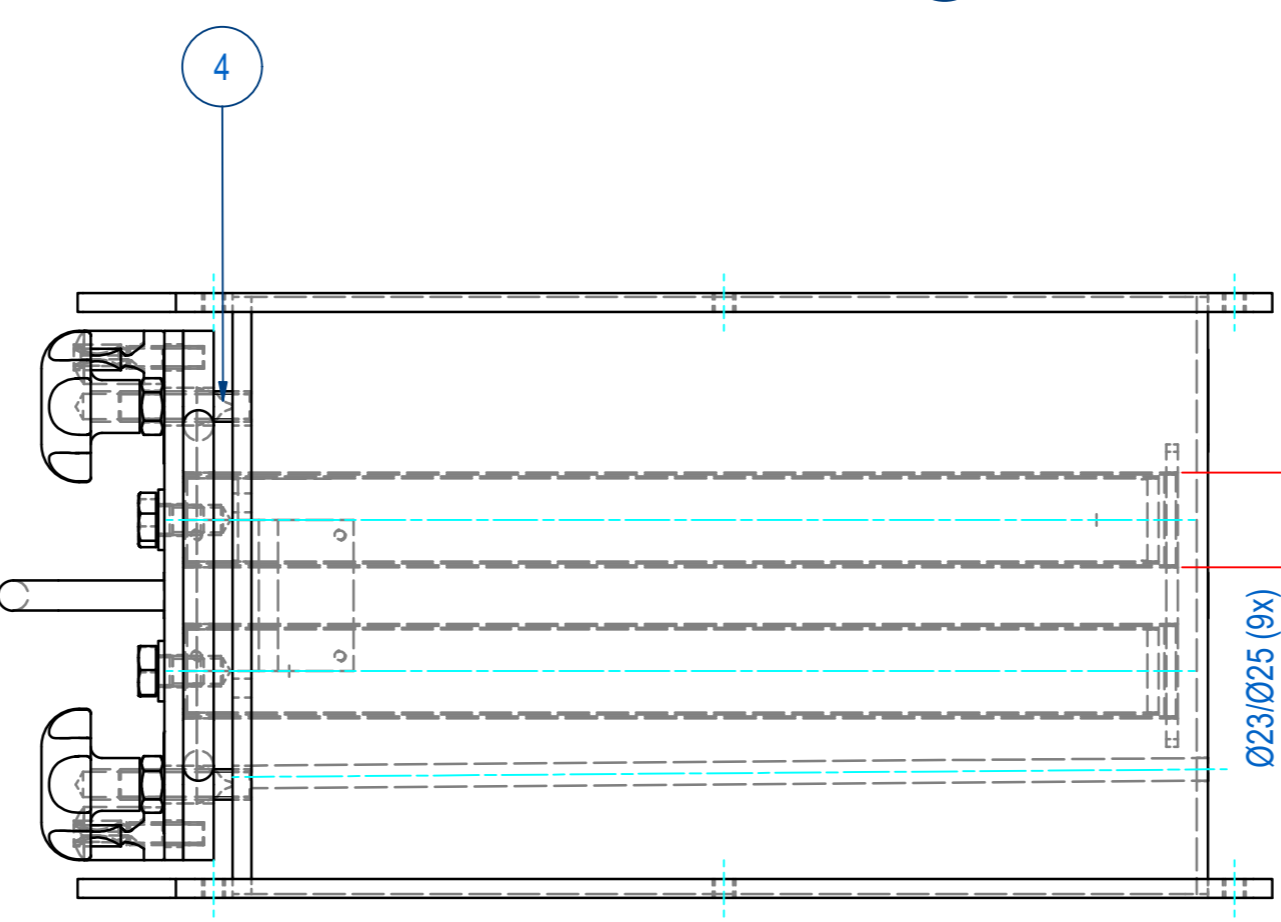
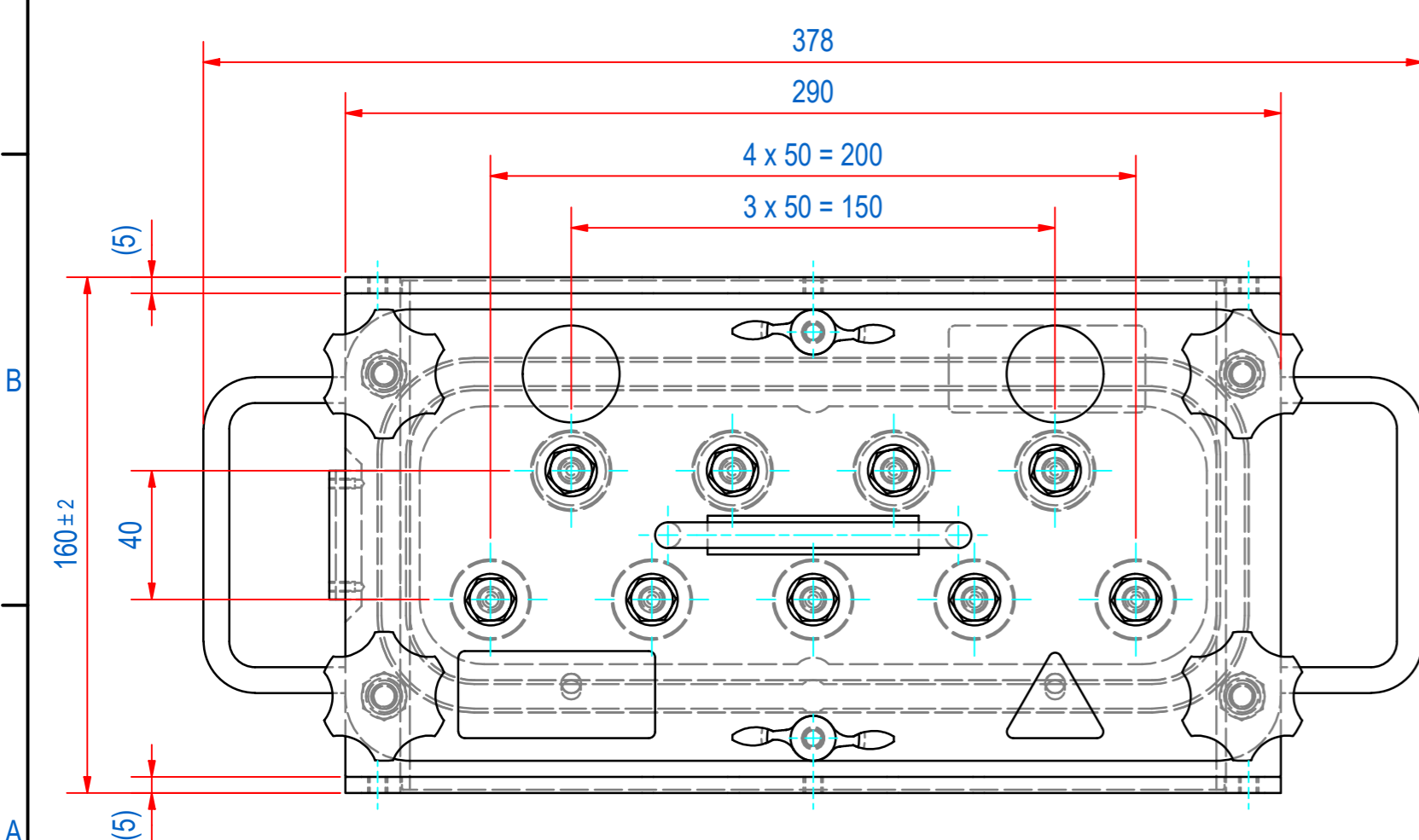
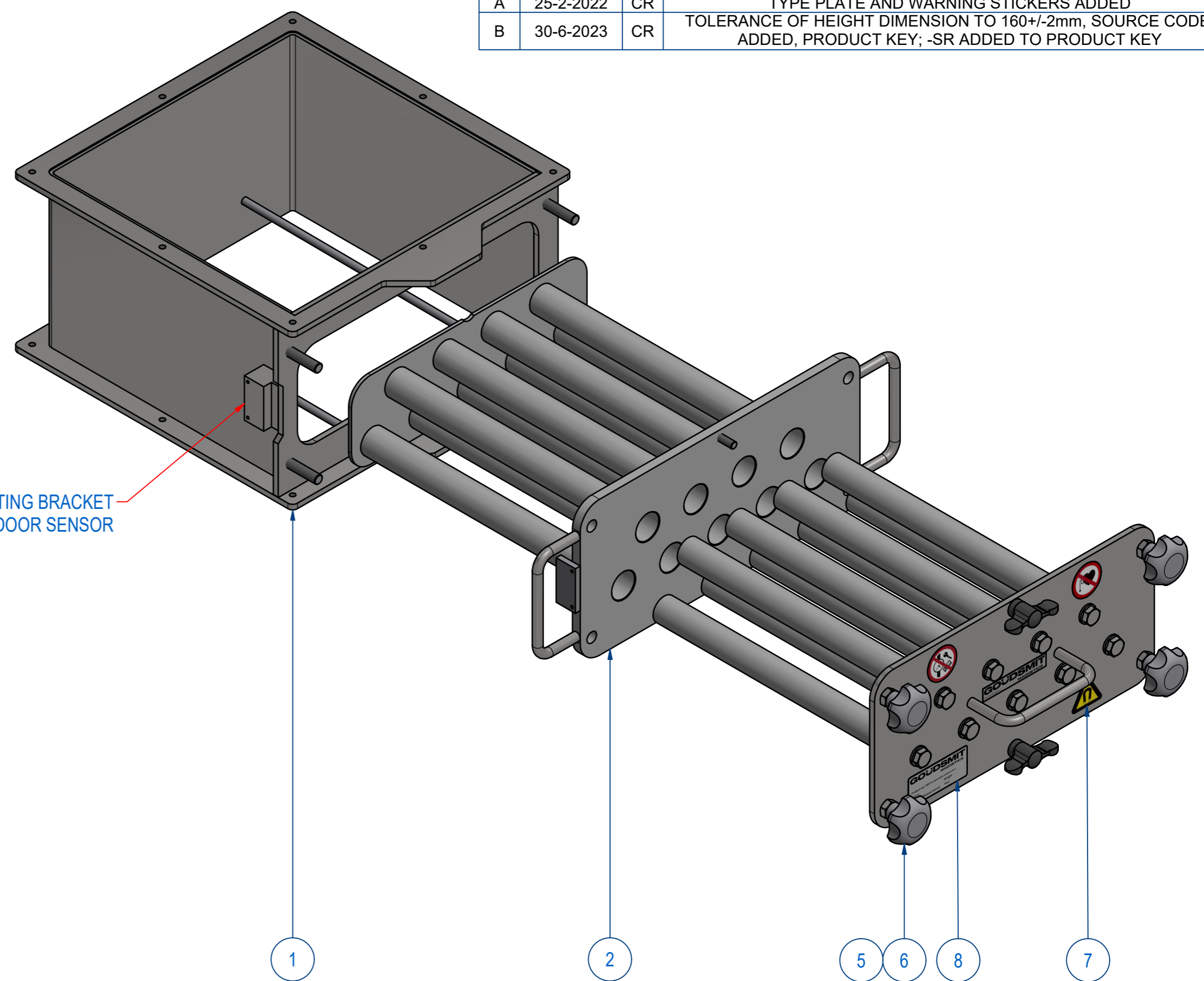


REV	DATE	BY	DESCRIPTION
-	4-10-2013	CR	NEW REVISION VAULT, NOTHING CHANGED, OLD REV WAS A
A	25-2-2022	CR	TYPE PLATE AND WARNING STICKERS ADDED
B	30-6-2023	CR	TOLERANCE OF HEIGHT DIMENSION TO 160+/-2mm, SOURCE CODE ADDED, PRODUCT KEY; -SR ADDED TO PRODUCT KEY



MOUNTING BRACKET FOR OPTIONAL DOOR SENSOR



ITEM	QTY	PART NUMBER	DESCRIPTION	Dimensions
8	2	E0086350	TYPE PLATE SECF	
7	1	E0093535	STICKERS FOR SECF99 2+3B	
6	4	1005.10022	KNOB M8 SS STAR	
5	4	60.0300008	NUT, HEX M8 - A4	M8
4	1	E0008822	SILICONE TRAP 10x9.5 FDS RED L=677	
2	1	A250791	SECFP-2525 INSERT D23/D25	
1	1	A250790	SECFP-2525-HOUSE CLEANFLOW	

RAW MAT.	Quantity	Material Number	Material Description	Length (mm)	Width (mm)
⊕	1				

Sheet: A2	Extra info:	General tolerance: ISO 2768 - mK
Drawn: CR	Weight (kg): 19	Drawn according: ISO268; ISO1101; ISO2553
Date: 12-7-2019		Status: Standard
Spare part: False	Source: MC-C	Customer reference number:
Quick search: CFP250		
Description: SECF-P-2525-09E-N-F1m-W-B-B-SR	Document number: SECFP25030	Doc.Rev: B
	Part number: SECFP25030	Rev: B