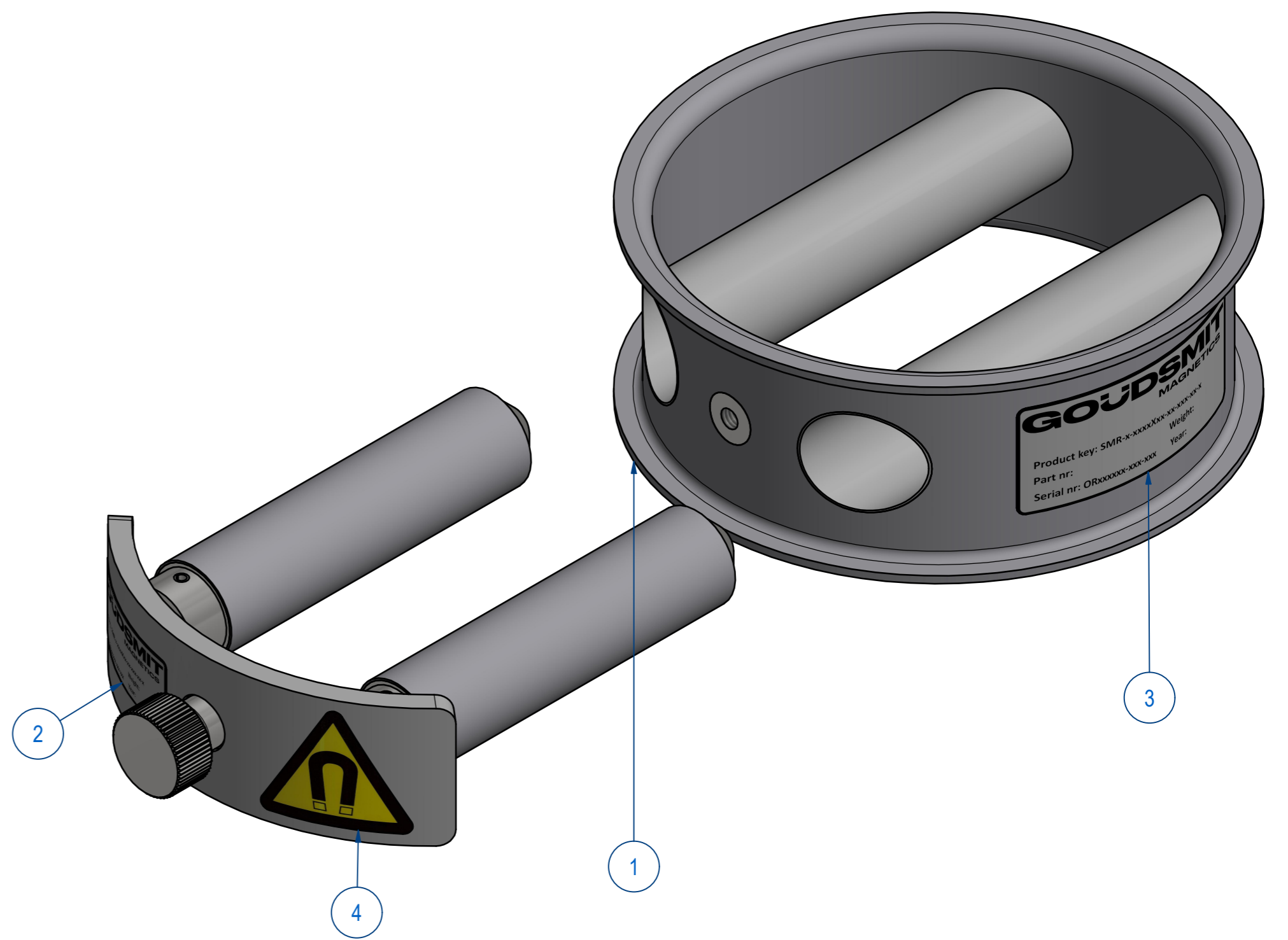
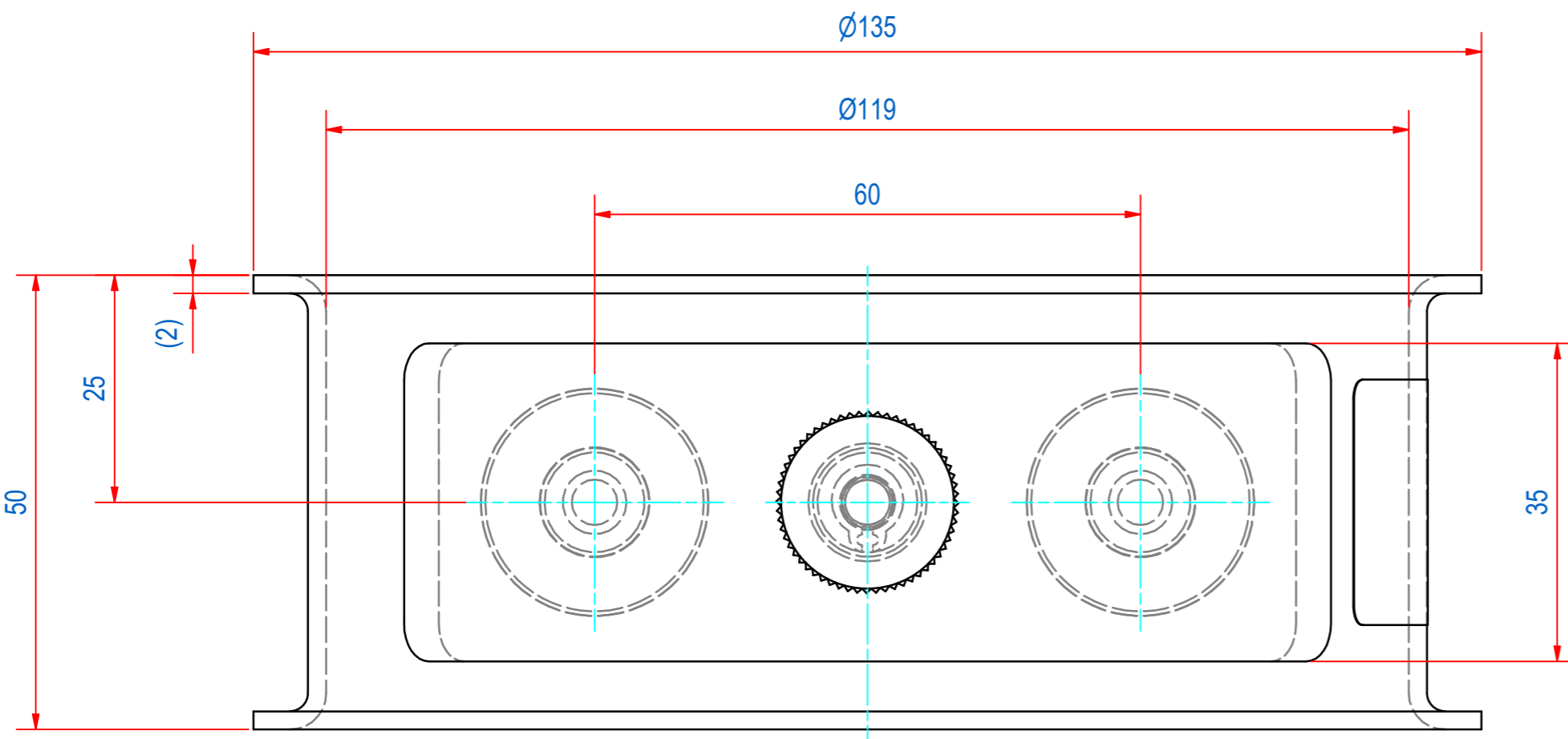
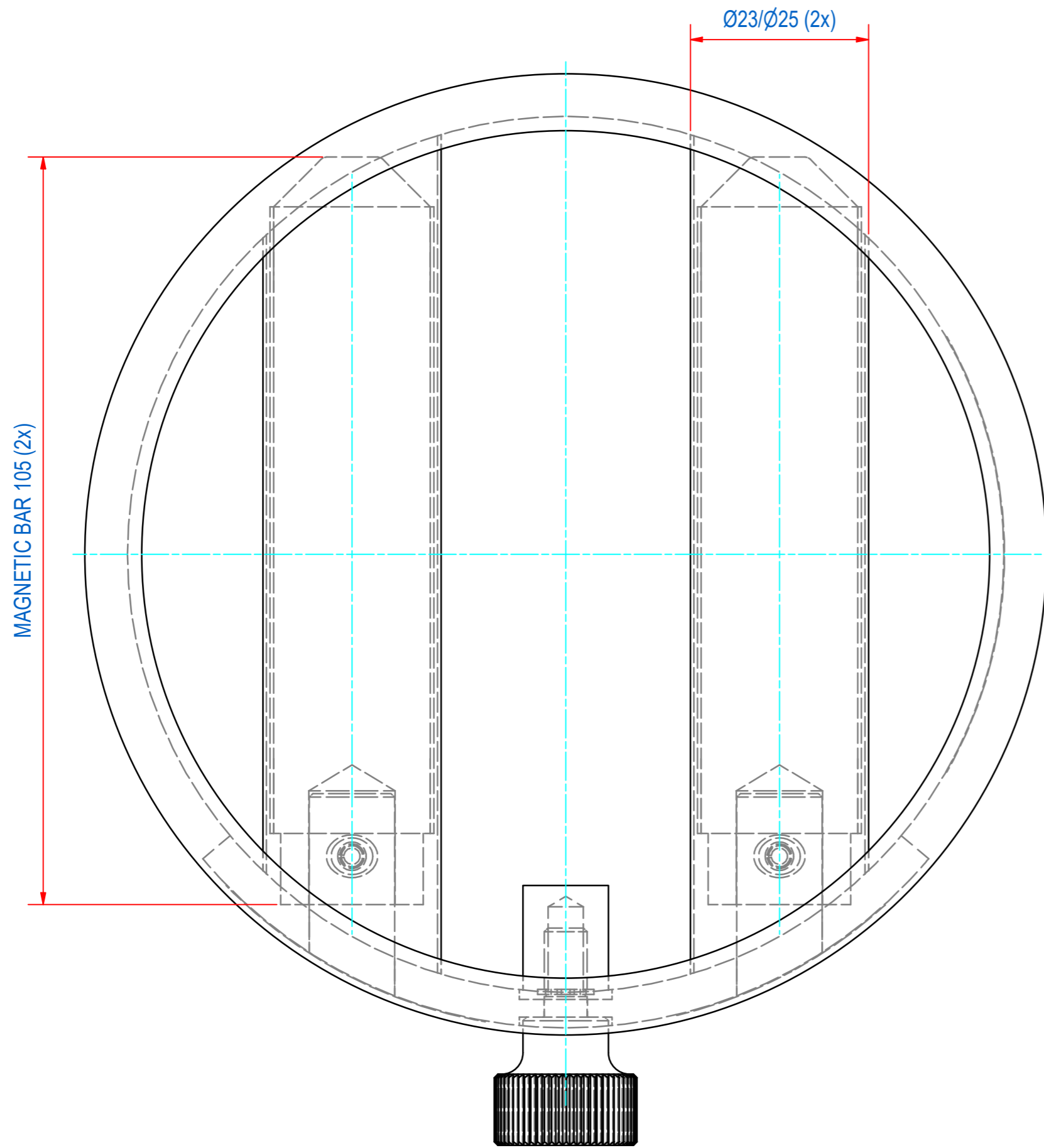


REV	DATE	BY	DESCRIPTION
-	5-8-2014	CR	NEW REVISION VAULT, NOTHING CHANGED, OLD REV WAS B
A	19-5-2015	CR	KNOB ADDED FOR SECURING FRONT PLATE ON GRID
B	3-3-2022	AvD	E0028964 AND 70.4200006 MOVED TO UNDERLYING DRAWING, TYPE PLATE ADDED, MATERIAL CHANGED INTO AISI316L, PRODUCT KEY CORRECTED.



ITEM	QTY	PART NUMBER	DESCRIPTION	Dimensions
4	1	E0150277	STICKER MAGN FIELD 30MM SMR-JF-D120	
3	1	E0150252	TYPE PLATE SMR-JF-D120-HOUSE	
2	1	E0150251	TYPE PLATE SMR-JF-D120-INSERT	
1	1	A110020	SMR-N-D120x50-JF-02E GRID ASSY	

RAW MAT.	Quantity	Material Number	Material Description	Length (mm)	Width (mm)
4	1	E0150277	STICKER MAGN FIELD 30MM SMR-JF-D120		
3	1	E0150252	TYPE PLATE SMR-JF-D120-HOUSE		
2	1	E0150251	TYPE PLATE SMR-JF-D120-INSERT		
1	1	A110020	SMR-N-D120x50-JF-02E GRID ASSY		

Sheet: A2	Extra info: MAGNETIC GRID	General tolerance: ISO 2768- mK
Drawn: CR	Weight (kg): 1,2	Drawn according: ISO286; ISO1101; ISO2553
Date: 2-7-2014		Status: Standard
Spare part: False	Source: MC-C	Customer reference number:
Quick search: MRNB0120		Document number: SEMR012078
Description: SMR-N-D120x50-JF-02E-S6-S		Doc.Rev: B
		Part number: SEMR012078
		Rev: B



© All rights reserved. Reproduction is not permitted without written permission of GOUDSMIT Magnetic Systems BV