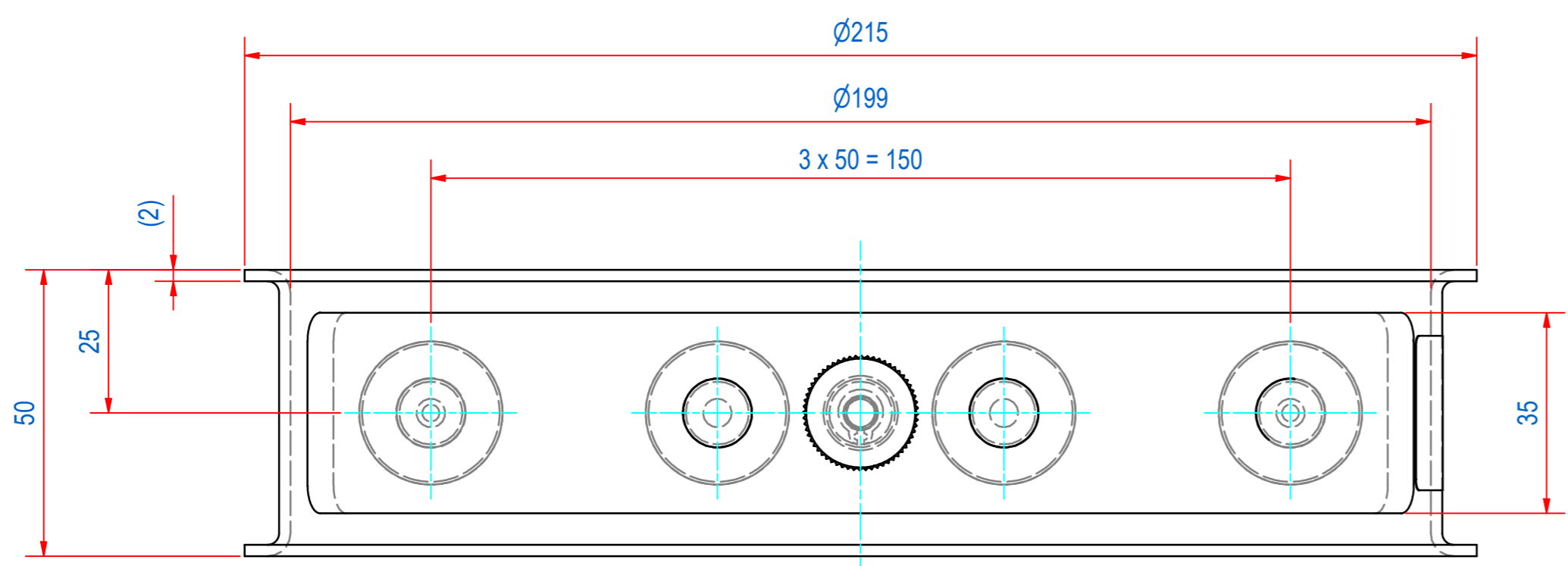
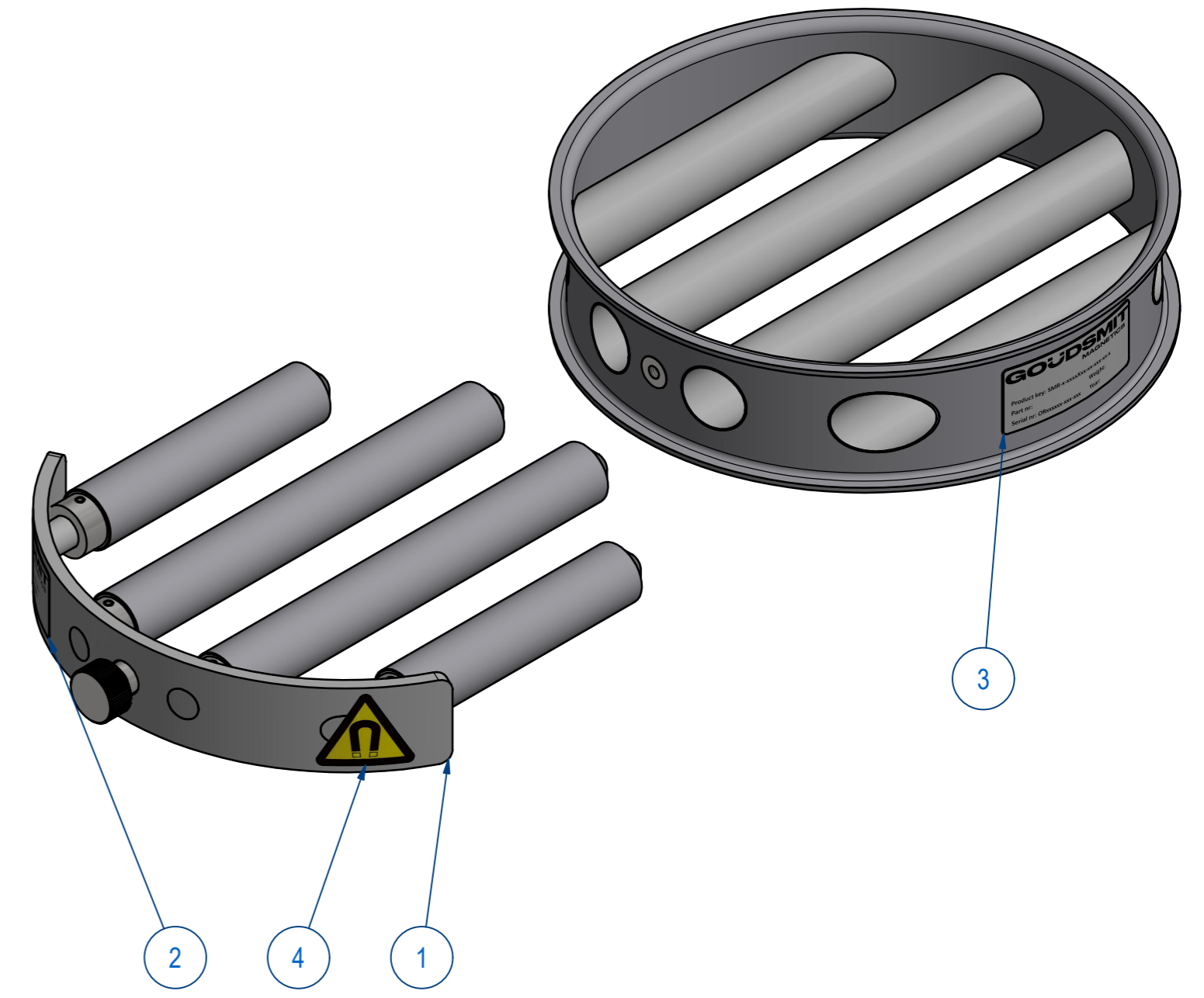
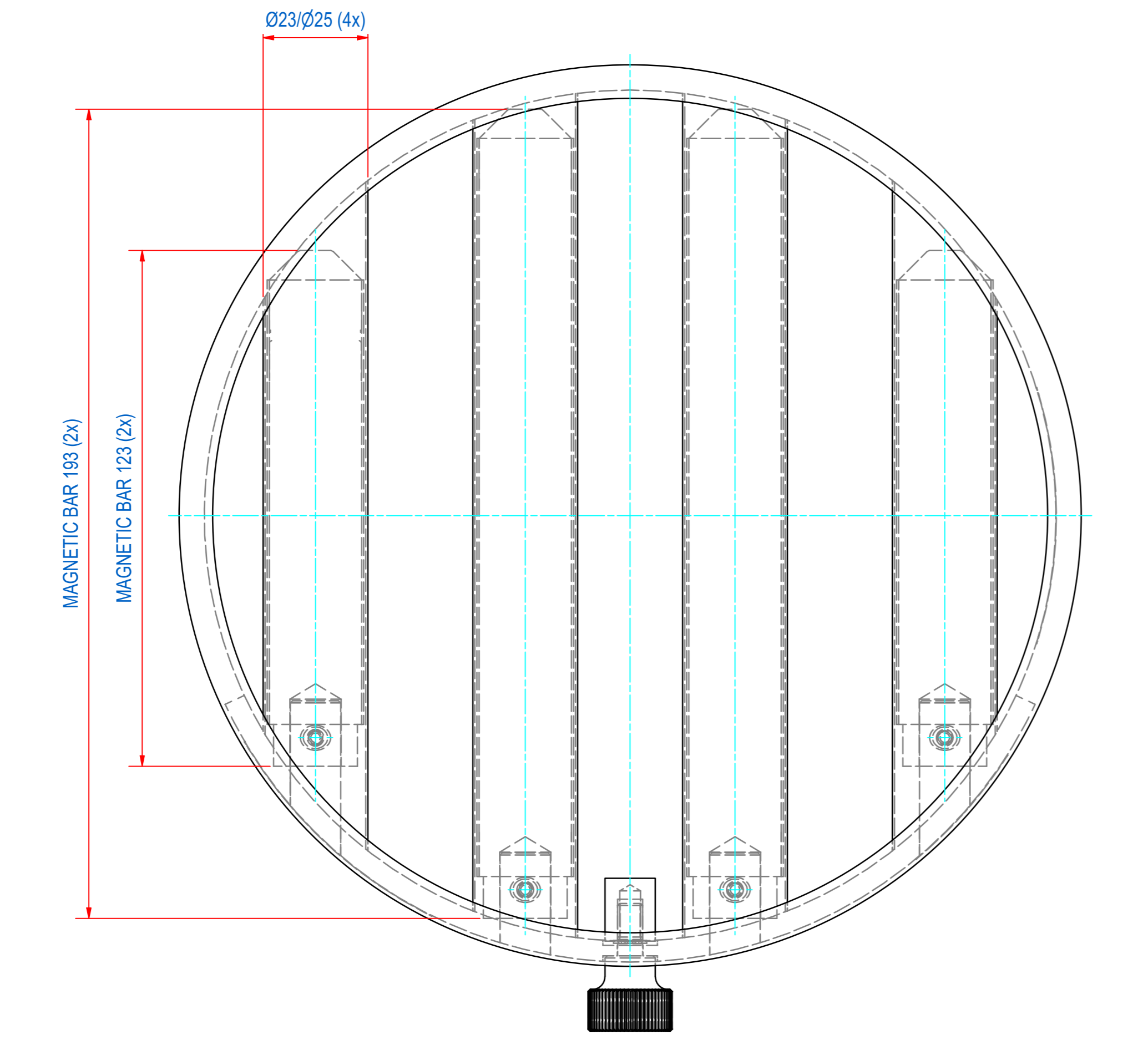


REV	DATE	BY	DESCRIPTION
-	13-3-2013	AvD	NEW REVISION VAULT, NOTHING CHANGED, OLD REV WAS C
A	10-2-2015	CR	KNOB ADDED FOR SECURING FRONT PLATE ON GRID
B	3-3-2022	AvD	E0028964 AND 70.4200006 MOVED TO UNDERLYING DRAWING, TYPE PLATE ADDED, MATERIAL CHANGED INTO AISI316L, PRODUCT KEY CORRECTED.



ITEM	QTY	PART NUMBER	DESCRIPTION	Dimensions
4	1	E0150279	STICKER MAGN FIELD 30MM SMR-JF-D200	
3	1	E0150256	TYPE PLATE SMR-JF-D200-HOUSE	
2	1	E0150255	TYPE PLATE SMR-JF-D200-INSERT	
1	1	A110031	SMR-N-D200x50-JF-04E GRID ASSY	

RAW MAT.	Quantity	Material Number	Material Description	Length (mm)	Width (mm)
⊕	1				

Sheet: A2	Extra info: MAGNETIC GRID	General tolerance: ISO 2768- mK
Drawn: AvD	Weight (kg): 3,1	Drawn according: ISO286; ISO1101; ISO2553
Date: 3-12-2010	Source: MC-C	Status: Standard
Spare part: False	Quick search: MRNB0200	Customer reference number:
Description: SMR-N-D200x50-JF-04E-S6-S		Document number: SEMR020078
		Doc.Rev: B
		Part number: SEMR020078
		Rev: B

© All rights reserved. Reproduction is not permitted without written permission of GOUDSMIT Magnetic Systems BV