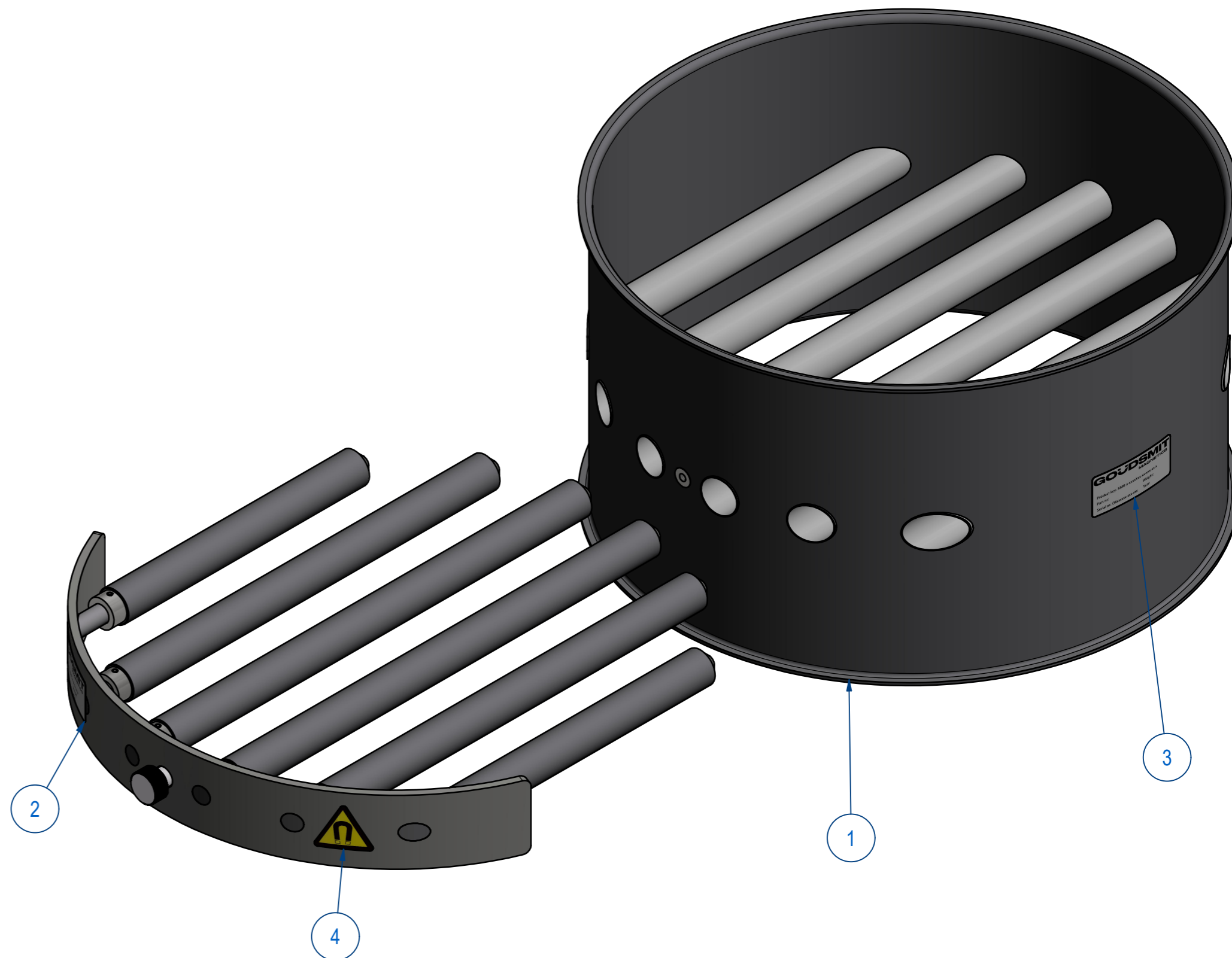
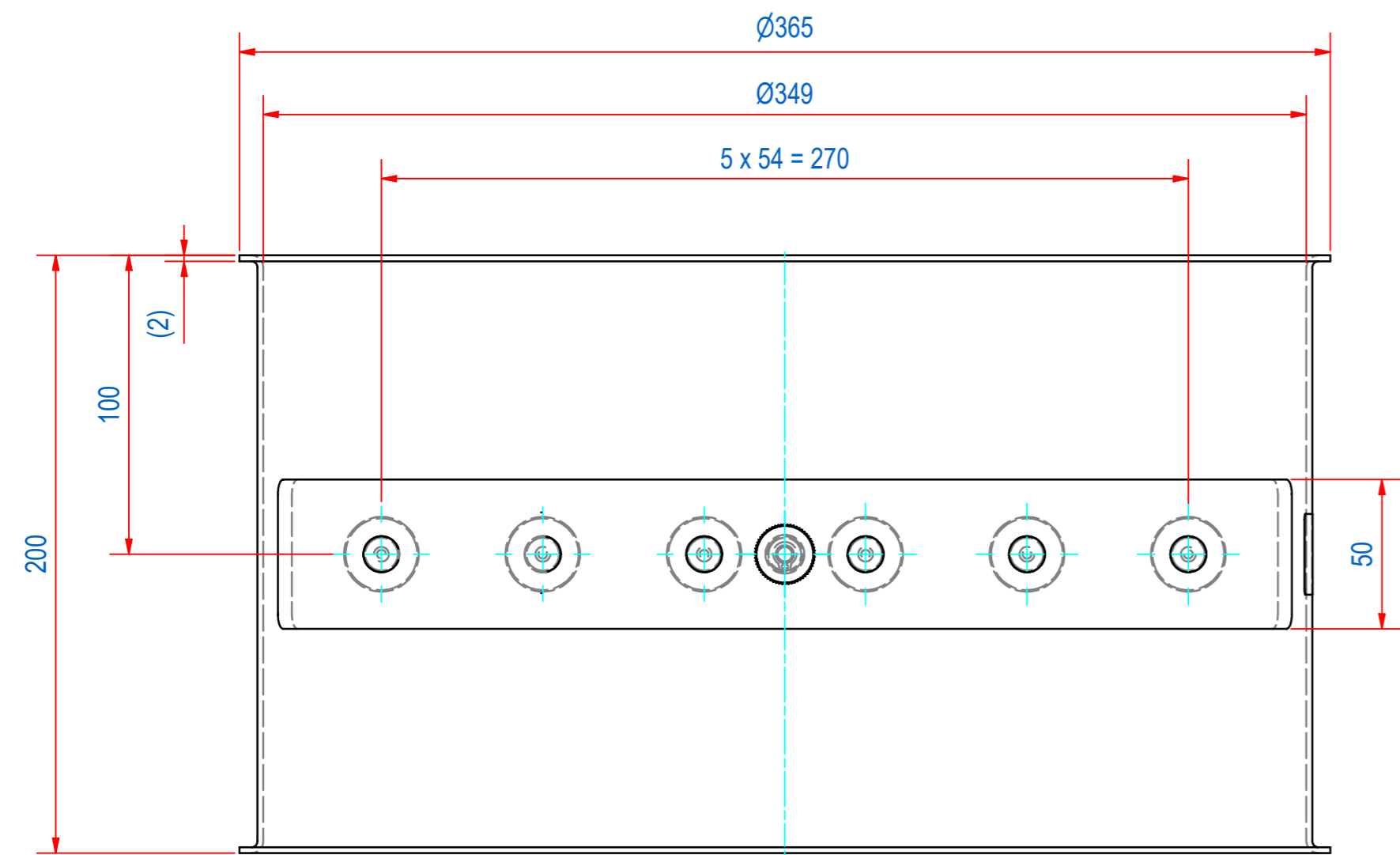
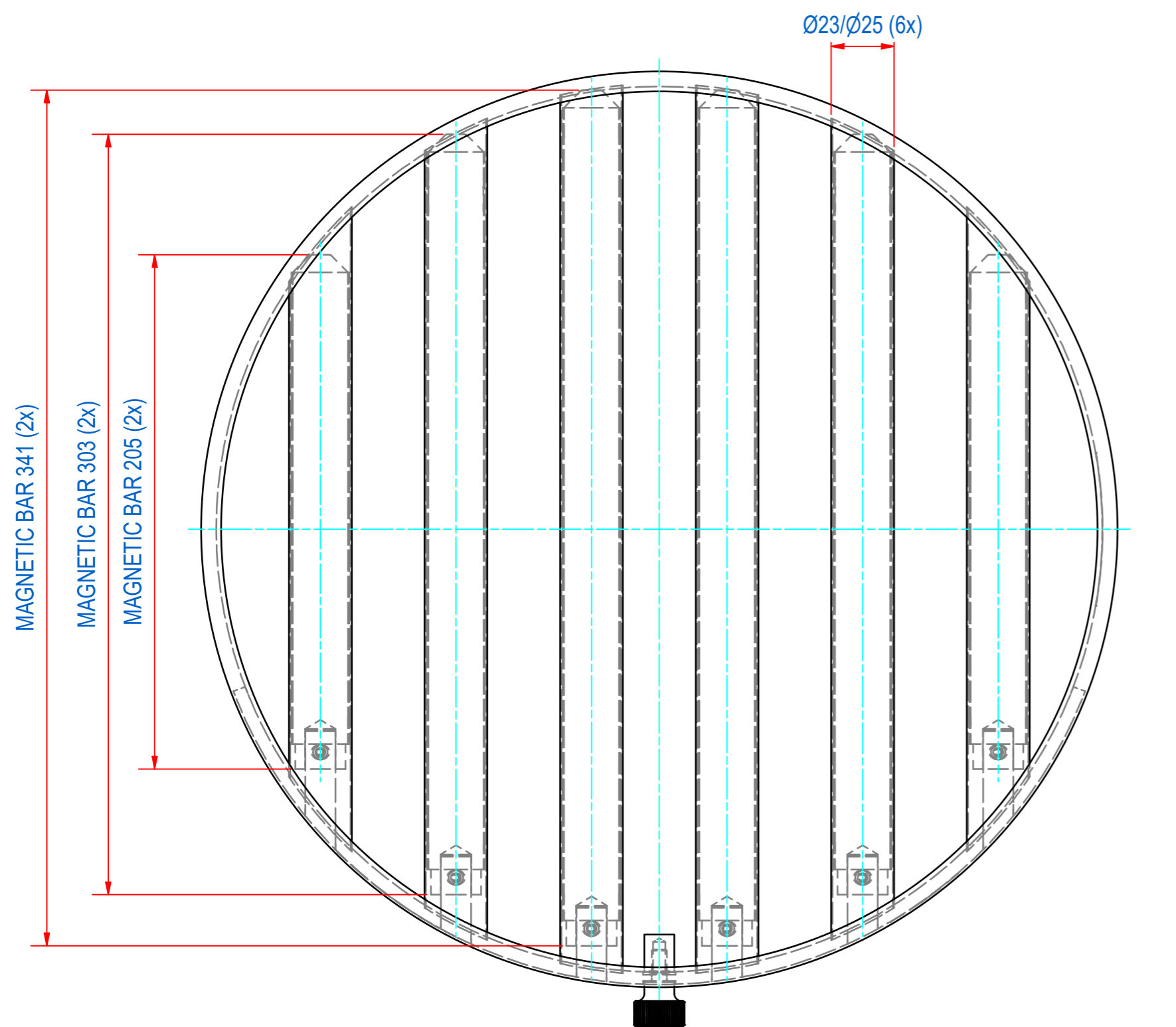


REV	DATE	BY	DESCRIPTION
-	9-9-2014	CR	NEW REVISION VAULT, NOTHING CHANGED, OLD REV WAS B
A	21-4-2015	CR	KNOB ADDED FOR SECURING FRONT PLATE ON GRID, SUPPORT PLATES (IN ITEM 1) DELETED
B	20-4-2022	AvD	E0028964 AND 70.4200006 MOVED TO UNDERLYING DRAWING, TYPE PLATE ADDED, MATERIAL CHANGED INTO AISI316L, PRODUCT KEY CORRECTED



ITEM	QTY	PART NUMBER	DESCRIPTION	Dimensions
4	1	E0152116	STICKER MAGN FIELD 30MM SMR-JF-D350	
3	1	E0152115	TYPE PLATE SMR-JF-D350-HOUSE	
2	1	E0152114	TYPE PLATE SMR-JF-D350-INSERT	
1	1	A250558	SMR-N-D350x50-JF-06E GRID ASSY	

RAW MAT.	Quantity	Material Number	Material Description	Length (mm)	Width (mm)
	1				

Sheet:	A2	Extra info:	MAGNETIC GRID	General tolerance:	ISO 2768 - mK
Drawn:	CR	Weight (kg):	10	Drawn according:	ISO286; ISO1101; ISO2553
Date:	5-6-2012	Status:	Standard	Customer reference number:	
Spare part:	False	Source:	MC-C	Document number:	SEMR035078
Quick search:	MRNB0350	Doc.Rev:	B	Part number:	SEMR035078
Description:	SMR-N-D350x200-JF-06E-S6-S		Rev:	B	



© All rights reserved. Reproduction is not permitted without written permission of GOUDSMIT Magnetic Systems BV