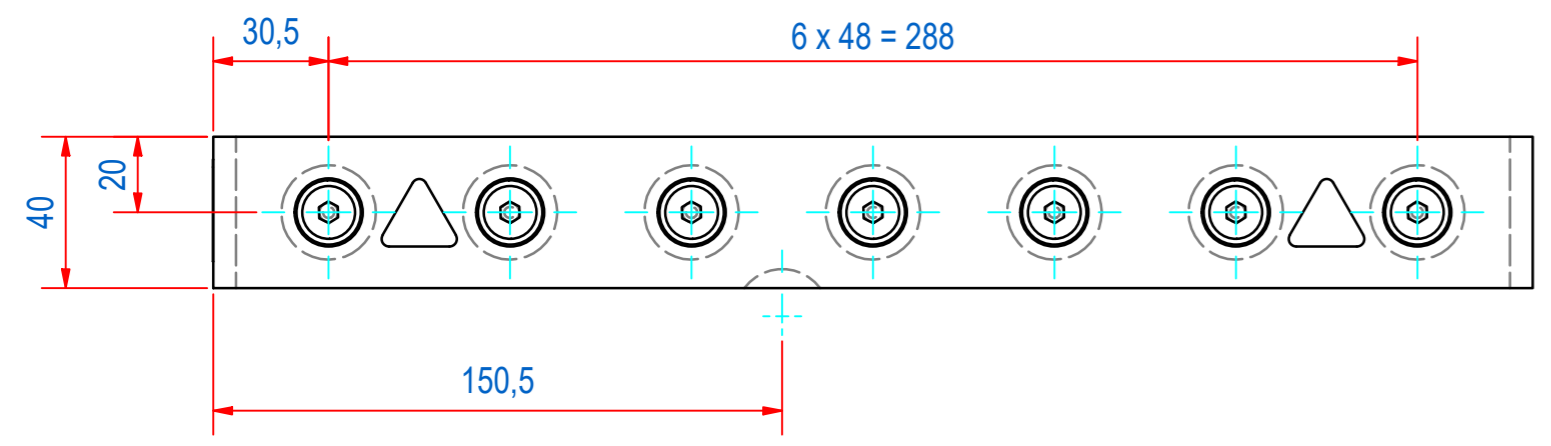
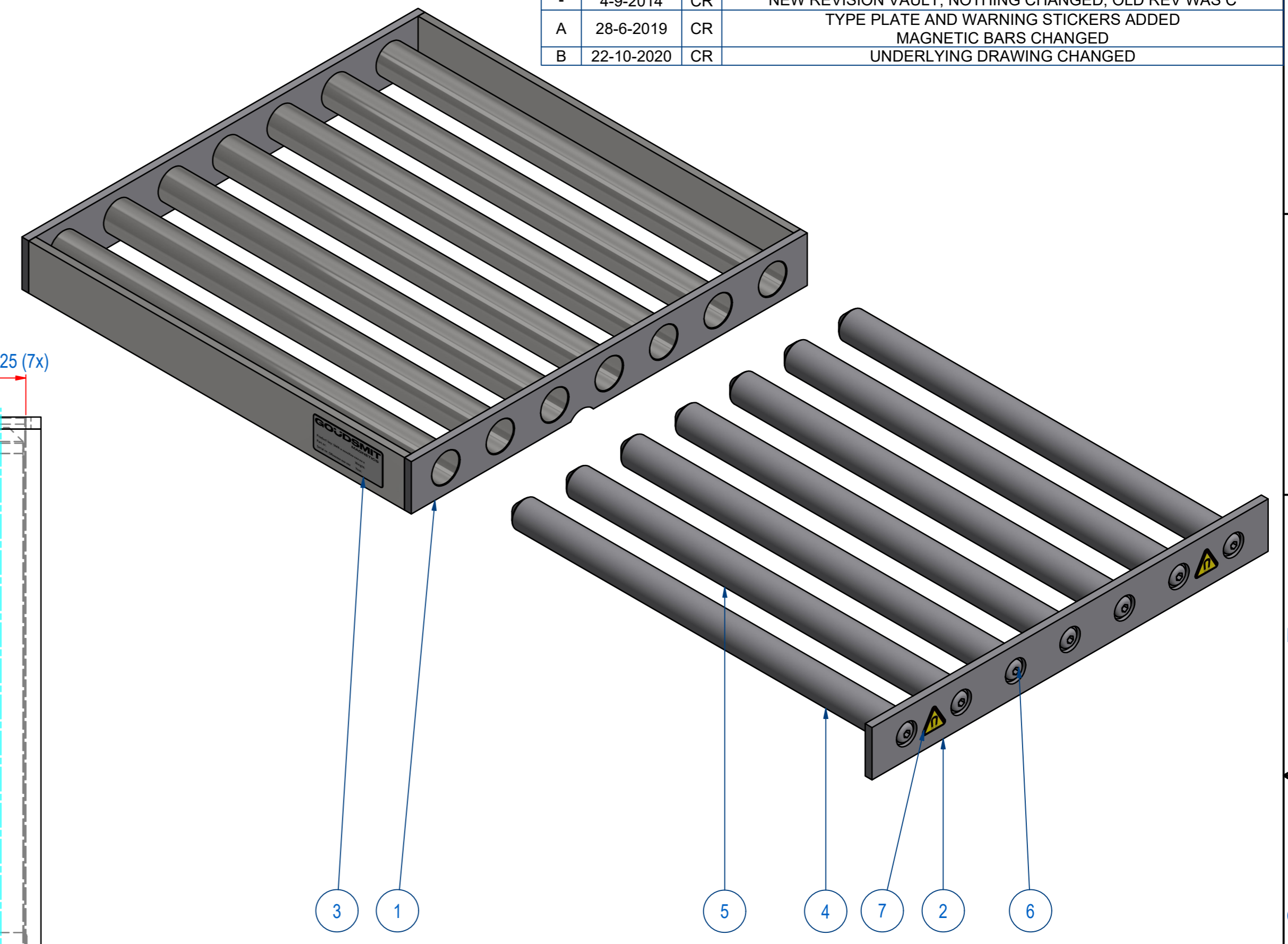
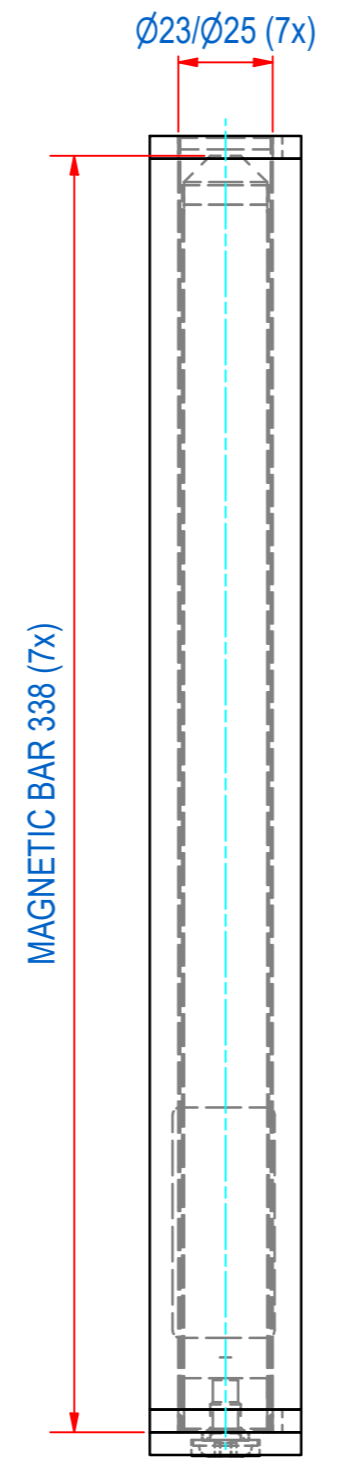
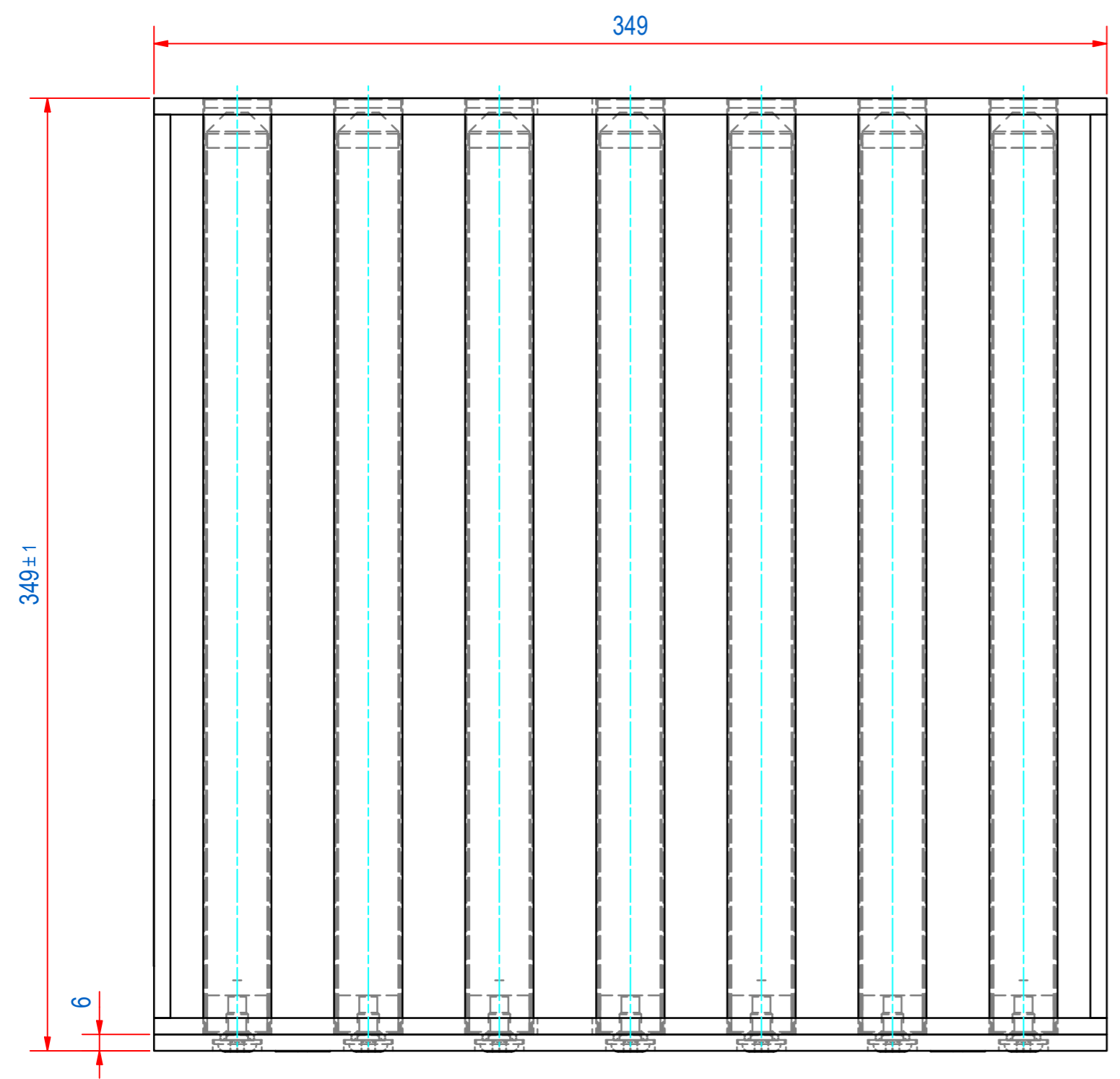


| REV | DATE       | BY | DESCRIPTION  |
|-----|------------|----|--|
| -   | 4-9-2014   | CR | NEW REVISION VAULT, NOTHING CHANGED, OLD REV WAS C             |
| A   | 28-6-2019  | CR | TYPE PLATE AND WARNING STICKERS ADDED<br>MAGNETIC BARS CHANGED |
| B   | 22-10-2020 | CR | UNDERLYING DRAWING CHANGED                                     |



| ITEM | QTY | PART NUMBER     | DESCRIPTION                    | Dimensions |
|------|-----|-----------------|--------------------------------|------------|
| 7    | 2   | 1000.20080      | STICKER MAGNETIC FIELD 20mm    |            |
| 6    | 7   | 54.9208010      | SCR HEX S HC FL M08x10 AISI304 |            |
| 5    | 3   | SBAMB100039-338 | BAR-N-23-338-25-CM8-NH-B       |            |
| 4    | 4   | SBAMB100030-338 | BAR-N-23-338-25-CM8-NW-B       |            |
| 3    | 1   | E0086577        | TYPE PLATE SQUARE GRID SMR     |            |
| 2    | 1   | S240058         | SEMR-3535 FRONT PLATE 7 BARS   |            |
| 1    | 1   | A240030         | SMR-EXTRACTOR #349x40 7B 316L  |            |

| RAW MAT. | Quantity | Material Number | Material Description | Length (mm) | Width (mm) |
|----------|----------|-----------------|----------------------|-------------|------------|
|          | 1        |                 |                      |             |            |

|  |                                  |   |
|--|----------------------------------|---|
| Sheet: <b>A2</b>                               | Extra info: <b>MAGNETIC GRID</b> | General tolerance: <b>ISO 2768 - mK</b>                 |
| Drawn: <b>CR</b>                               | Weight (kg): <b>11</b>           | Drawn according: <b>ISO286; ISO1101; ISO2553</b>        |
| Date: <b>28-6-2019</b>                         | Source: <b>MC-C</b>              | Status: <b>Standard</b>                                 |
| Spare part: <b>False</b>                       | Quick search: <b>MRNB3535</b>    | Customer reference number:                              |
| Description: <b>SMR-N-0350x350x40-07E-S6-B</b> |                                  | Document number: <b>SEMR353538</b><br>Doc.Rev: <b>B</b> |
|  |                                  | Part number: <b>SEMR353538</b><br>Rev: <b>B</b>         |



© All rights reserved. Reproduction is not permitted without written permission of GOUDSMIT Magnetic Systems BV