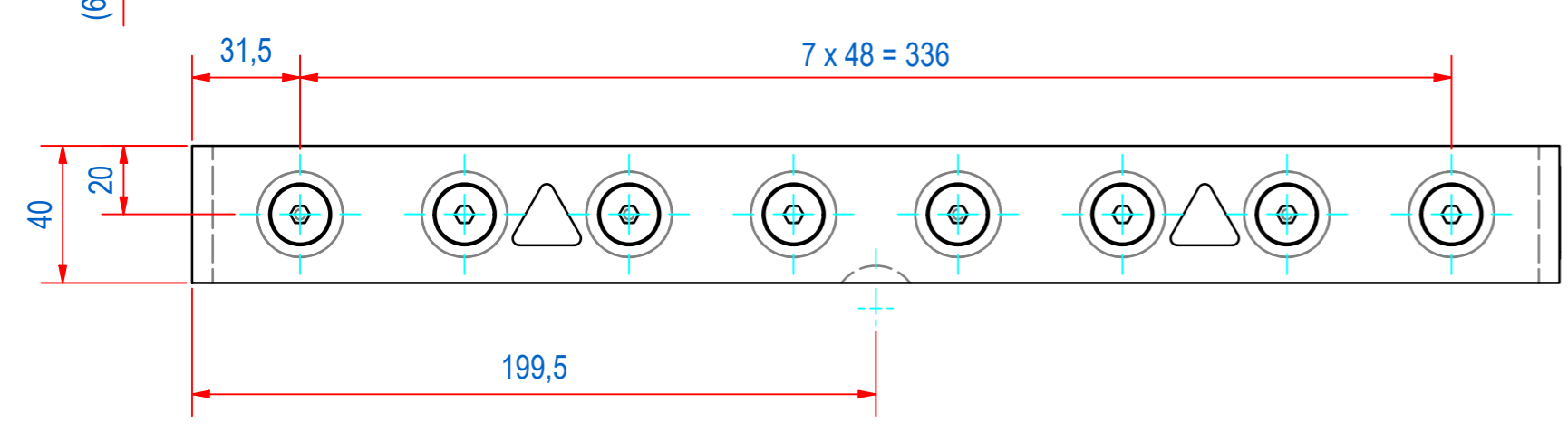
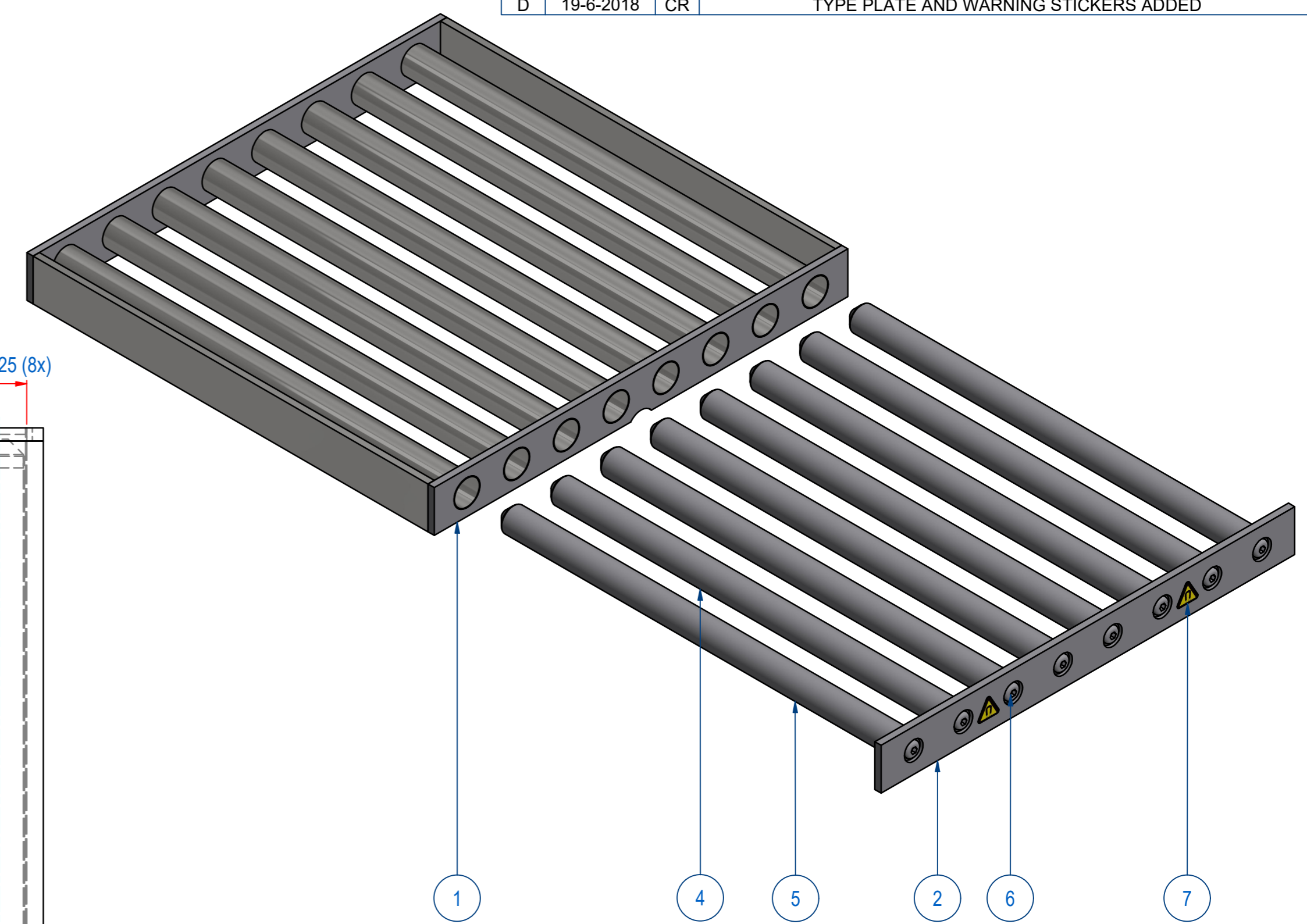
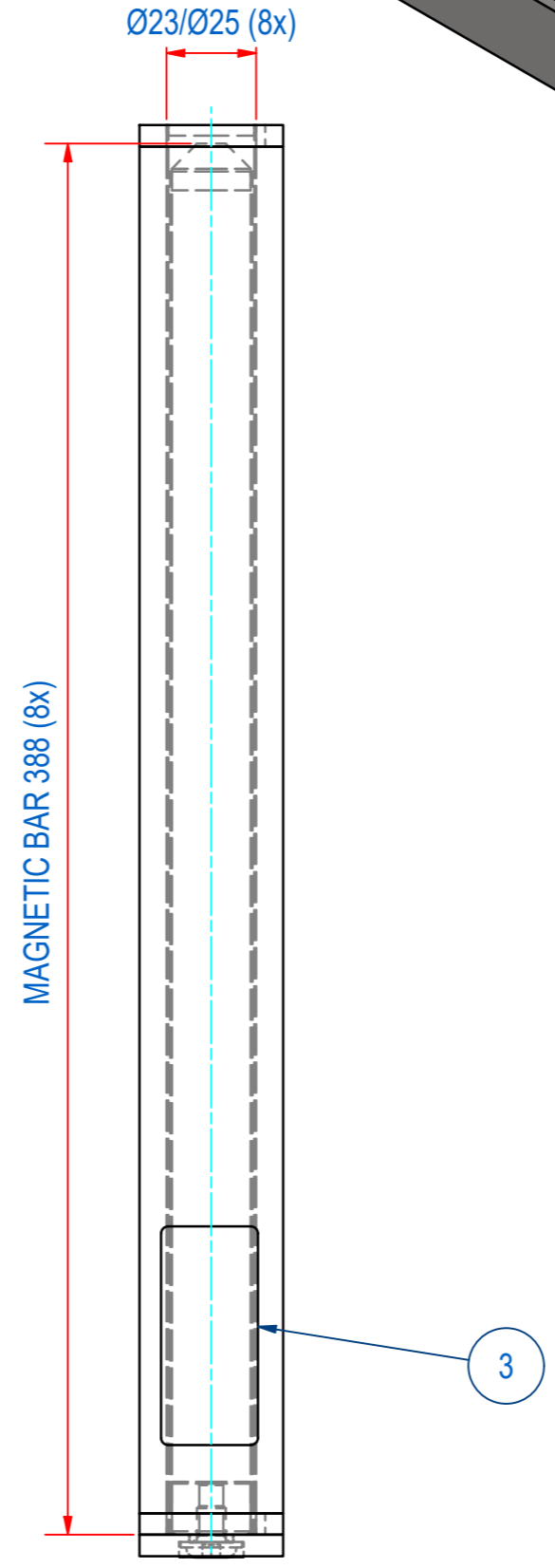
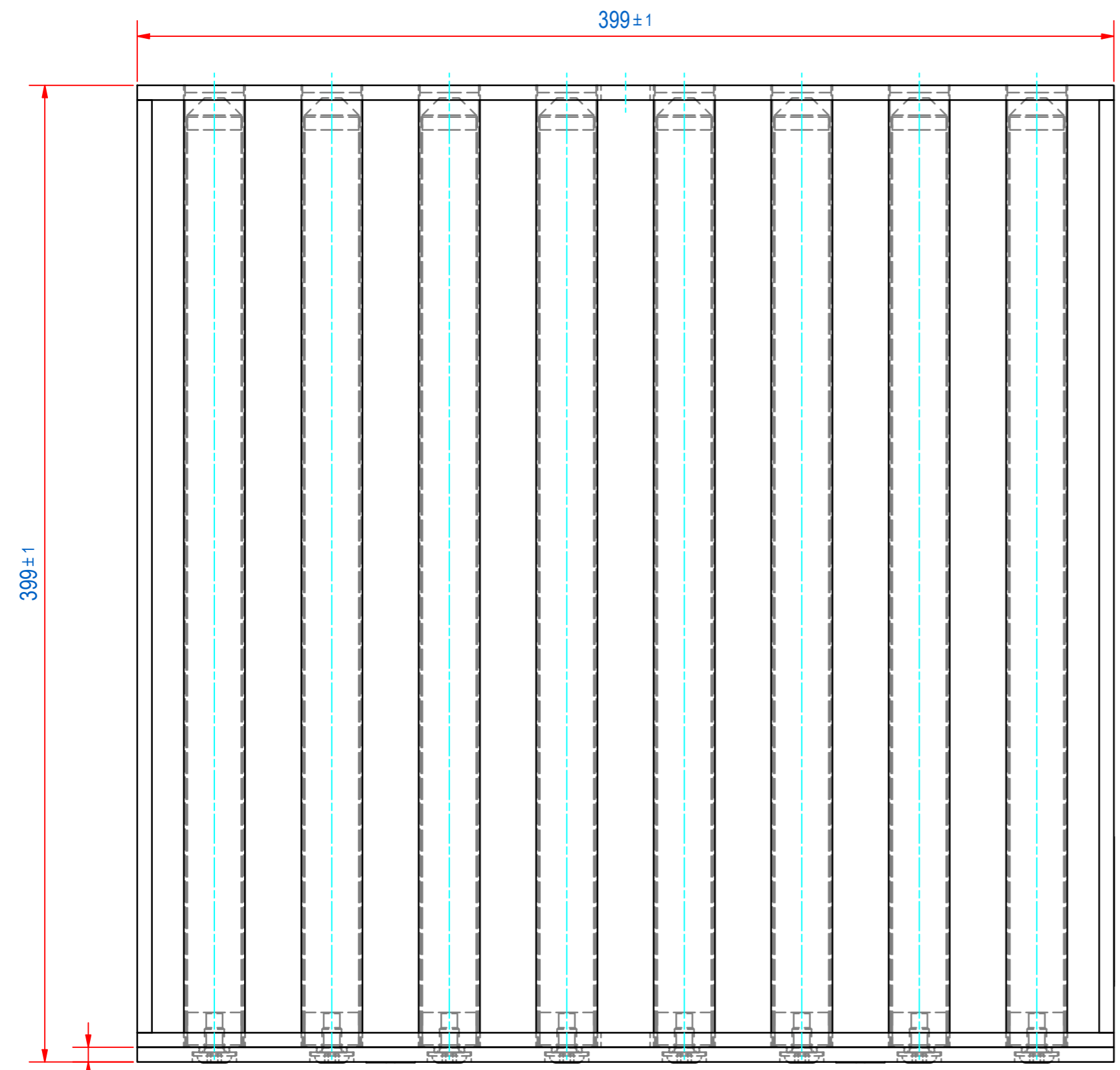


REV	DATE	BY	DESCRIPTION
B	4-9-2014	CR	ITEM 1 CHANGED: BRAZING DRAWING ADDED
C	20-3-2018	CR	ITEM 4 ADDED
D	19-6-2018	CR	TYPE PLATE AND WARNING STICKERS ADDED



ITEM	QTY	PART NUMBER	DESCRIPTION	Dimensions
7	2	1000.20080	STICKER MAGNETIC FIELD 20mm	
6	8	54.9208010	SCR HEX S HC FL M08x10 AISI304	
5	4	SBAMB100039-388	BAR-N-23-388-25-CM8-NH-B	
4	4	SBAMB100030-388	BAR-N-23-388-25-CM8-NW-B	
3	1	E0086577	TYPE PLATE SQUARE GRID SMR	
2	1	S240059	FRONT MAGNET STRIP 40x6 L399	
1	1	E0020982	SMR-EXTRACTOR #399x40 8B BRAZE	

RAW MAT.	Quantity	Material Number	Material Description	Length (mm)	Width (mm)
1	1				

Sheet: A2	Extra info: MAGNETIC GRID	General tolerance: ISO 2768 - mK
Drawn: FS	Weight (kg): 14	Drawn according: ISO286; ISO1101; ISO2553
Date: 4-2-2003	Source: MC-C	Status: Standard
Spare part: False	Quick search: MRNB4040	Customer reference number:
Description: SMR-N-0400x400x40-08E-S6-S		Document number: SEMR404038 Doc.Rev: D
		Part number: SEMR404038 Rev: D



© All rights reserved. Reproduction is not permitted without written permission of GOUDSMIT Magnetic Systems BV