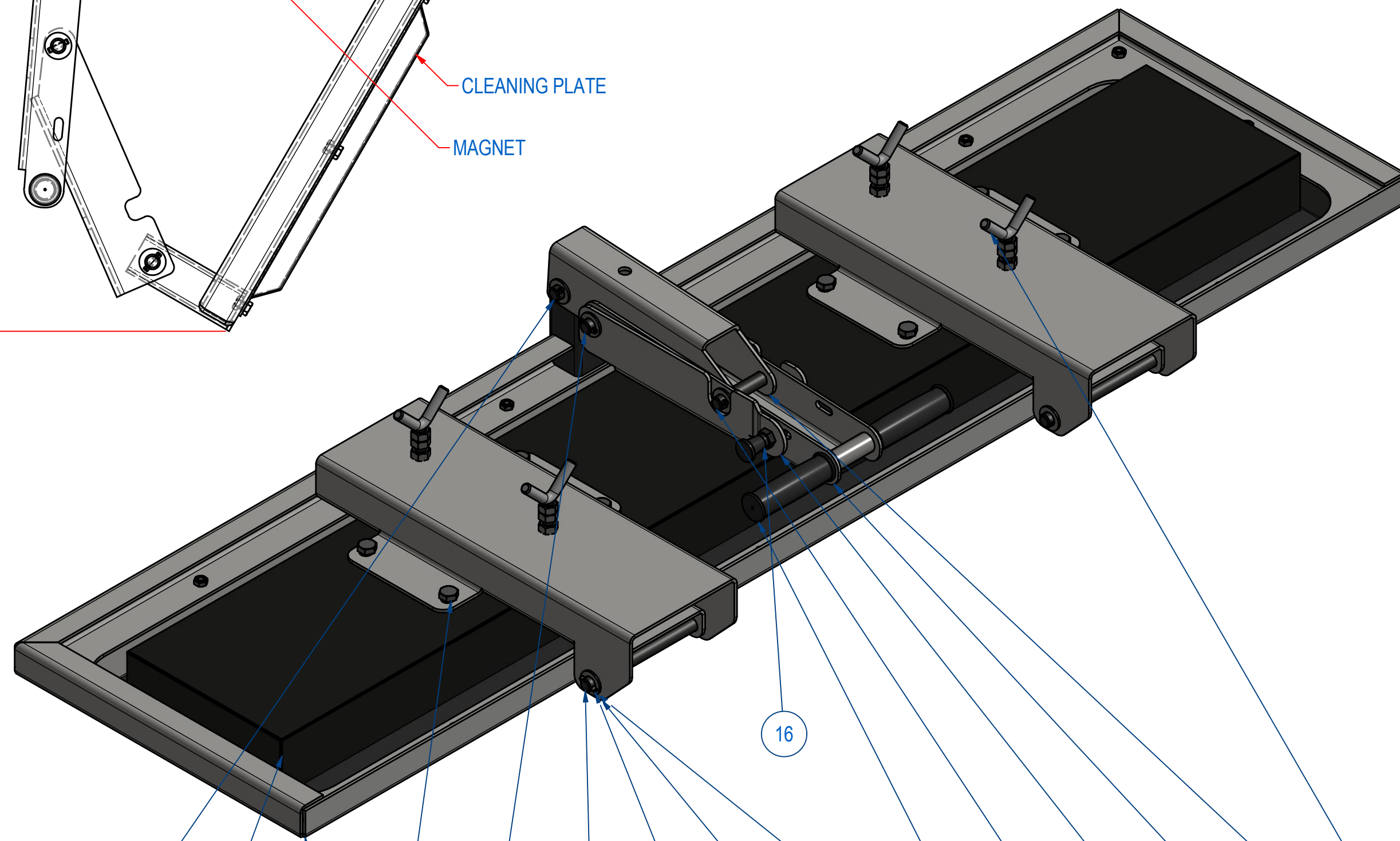
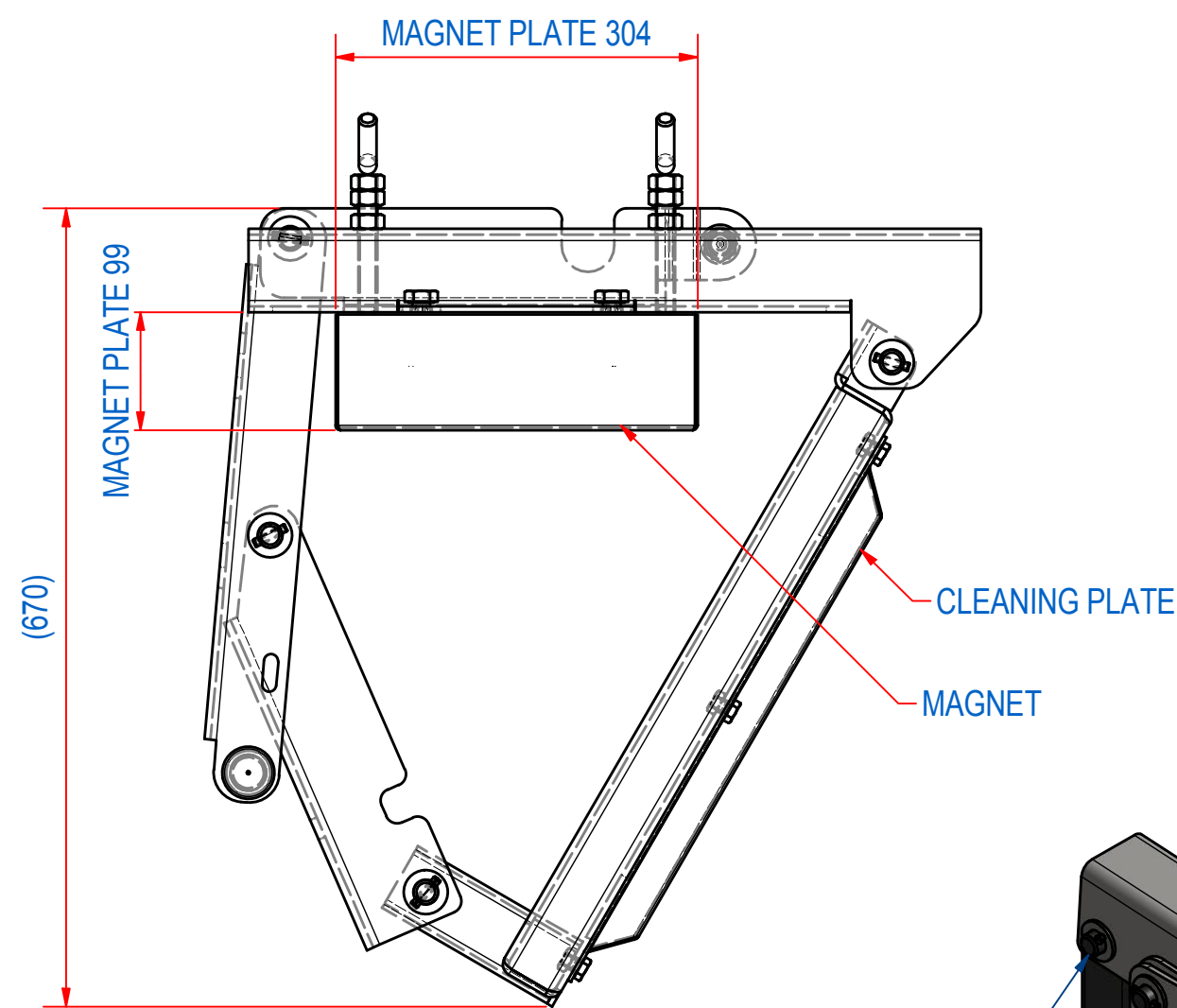
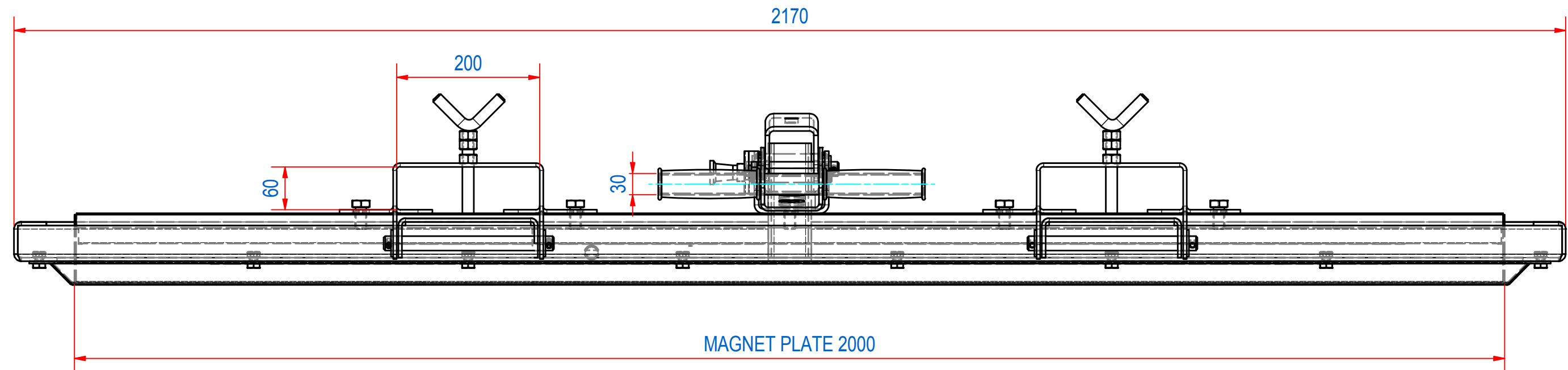
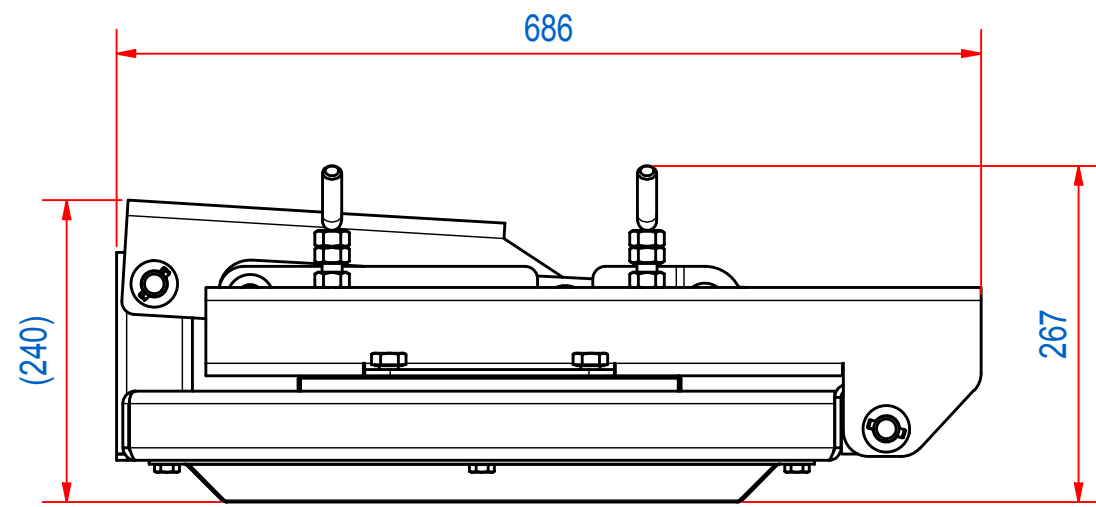


DOC.NR.	REV	DATE	BY	DESCRIPTION
E0083252	-	27-9-2017	AvD	REFERENCE DRAWING SEMV150020
E0083252	A	28-2-2019	CR	ITEM 16 ADDED



ITEM	QTY	PART NUMBER	DESCRIPTION	Dimensions
16	1	1005.90003	INDEXING PLUNGER D10 M20x1,5SS	
15	8	72.9900001	PIN, S SLOTTED 6 x 30 - A2	6 x 30
14	1	E0057812	BRACKET WELDED	
13	1	E0057791	AXLE	
12	1	E0057800	AXLE	
11	1	E0057802	AXLE	
10	2	E0057788	ARM SWEEPER	
9	4	A120505	TOGGLE M16 304L	
8	2	1005.10035	HANDLE WHEELBARROW Ø30	
7	1	E0057484	BRACKET	
6	1	E0083263	FRAME SWEEPER	
5	1	E0057461	BRACKET	
4	10	50.1116030	BOLT, HEX M16x30 - St8.8 Zn	M16x30
3	10	70.0200020	WASHER M 20- A2	M 20
2	3	E0057433	AXLE	
1	1	E0083253	SVMZ-F-304x99-2000-B-F0E	

RAW MAT.	Quantity	Material Number	Material Description	Length (mm)	Width (mm)
1	1				

Sheet: A2	Extra info:	General tolerance: ISO 2768 - mK
Drawn: CR	Weight (kg): 393,8	Drawn according: ISO268; ISO1101; ISO2553
Date: 18-6-2019		Status: Released
Spare part: False	Source:	Customer reference number:
Quick search:		Document number: E0083252 Doc.Rev: A
Description: SVMZ-N-304x99-2000-Z-F1M		Part number: SEMV200020 Rev: A



© All rights reserved. Reproduction is not permitted without written permission of GOUDSMIT Magnetic Systems BV