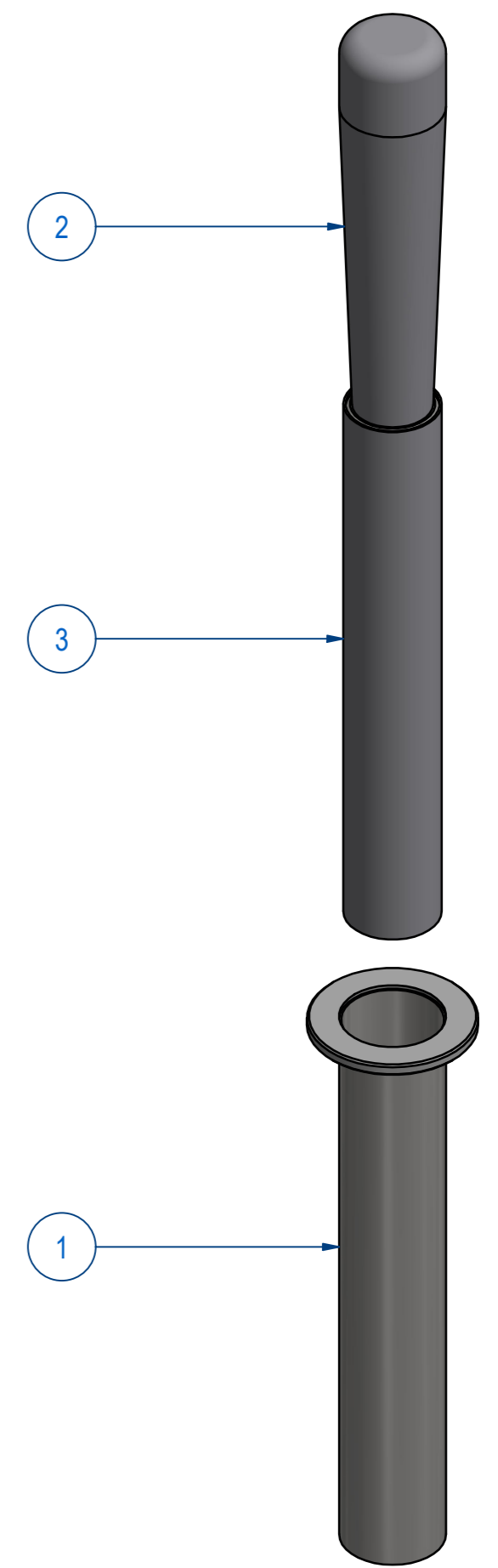
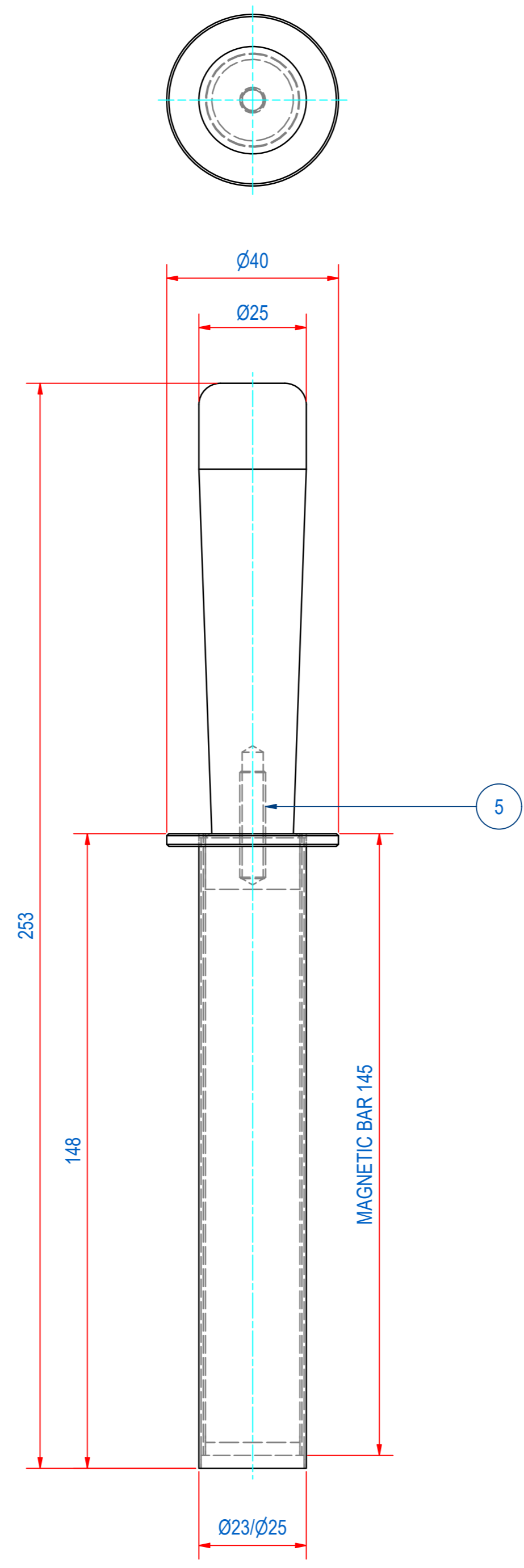


REV	DATE	BY	DESCRIPTION
-	19-9-2013	CR	NEW REVISION VAULT, NOTHING CHANGED, OLD REV WAS C
A	19-9-2013	CR	ITEM 2 CHANGED: M15637 WAS 1005.10001



ITEM	QTY	PART NUMBER	DESCRIPTION	Dimensions
5	1	E0003844	THREADED ROD M6x1 - AISI 316 - L25	M6-25
4	1	1216.00102	SUITCASE + INTERIOR SPI JUMP	
3	1	SBAQA100010-145	BAR-ES-23-145-25-1M6-NW-B	
2	1	M15637	BAR-GRIP D25 L105 316L	
1	1	M24630	EXTRACTOR TUBE L=148	

RAW MAT.	Quantity	Material Number	Material Description	Length (mm)	Width (mm)
	1				

Sheet: A2 Drawn: CR Date: 19-5-1998 Spare part: False Quick search: SXNB0148	Extra info: BAR NdFeB ES+EXTRACTOR+SUITCASE Weight (kg): 0,87 GOUDSMIT MAGNETICS <small>© All rights reserved. Reproduction is not permitted without written permission of GOUDSMIT Magnetic Systems BV</small>	General tolerance: ISO 2768 - mK Drawn according: ISO268; ISO1101; ISO2553 Status: Standard Customer reference number: Document number: SESX015048 Doc.Rev: A Part number: SESX015048 Rev: A
---	---	--