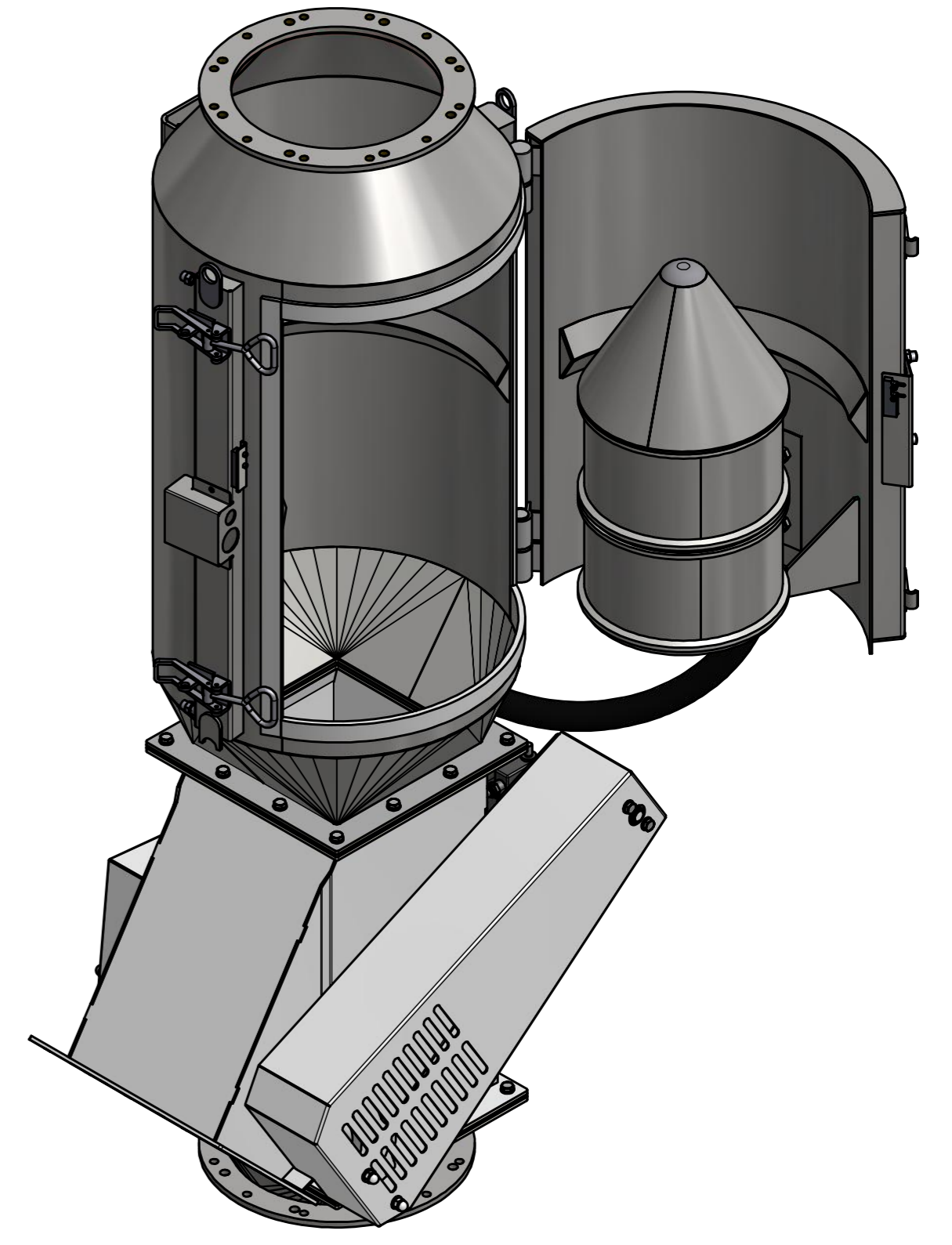
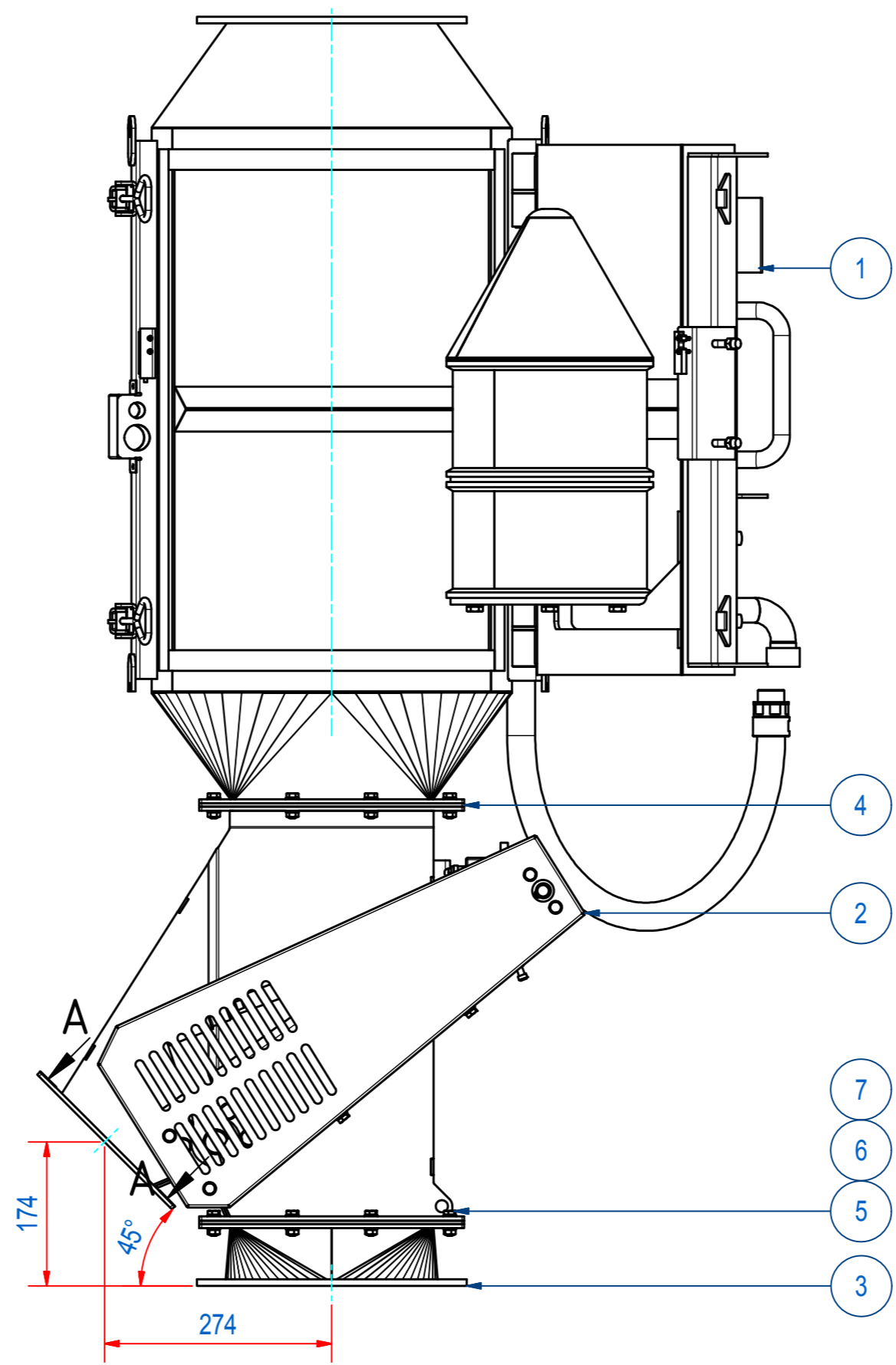
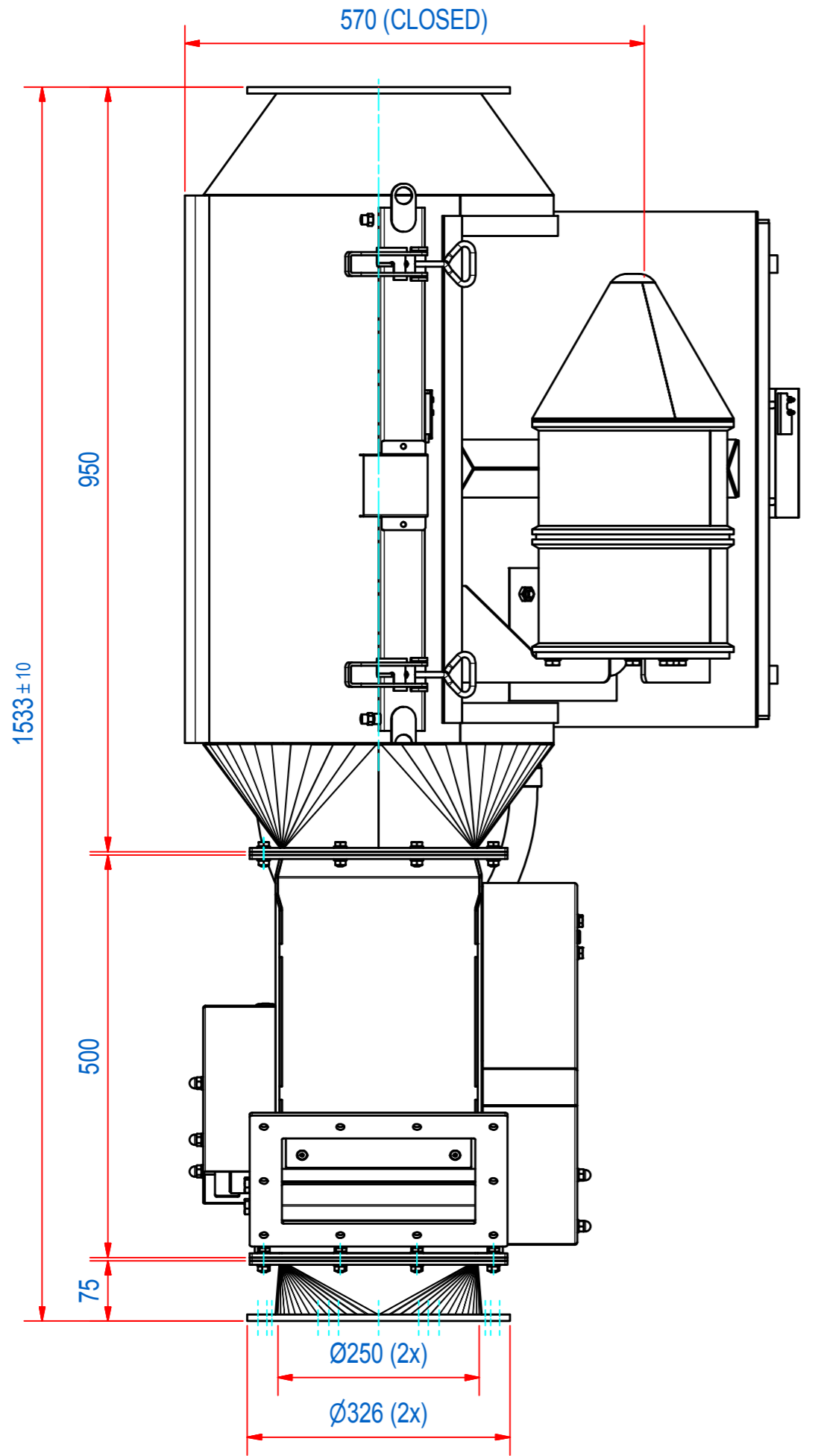
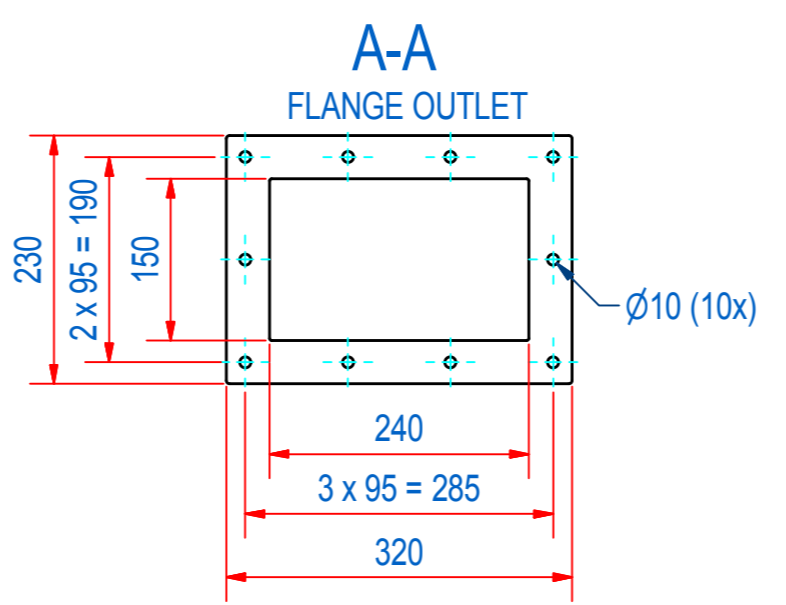
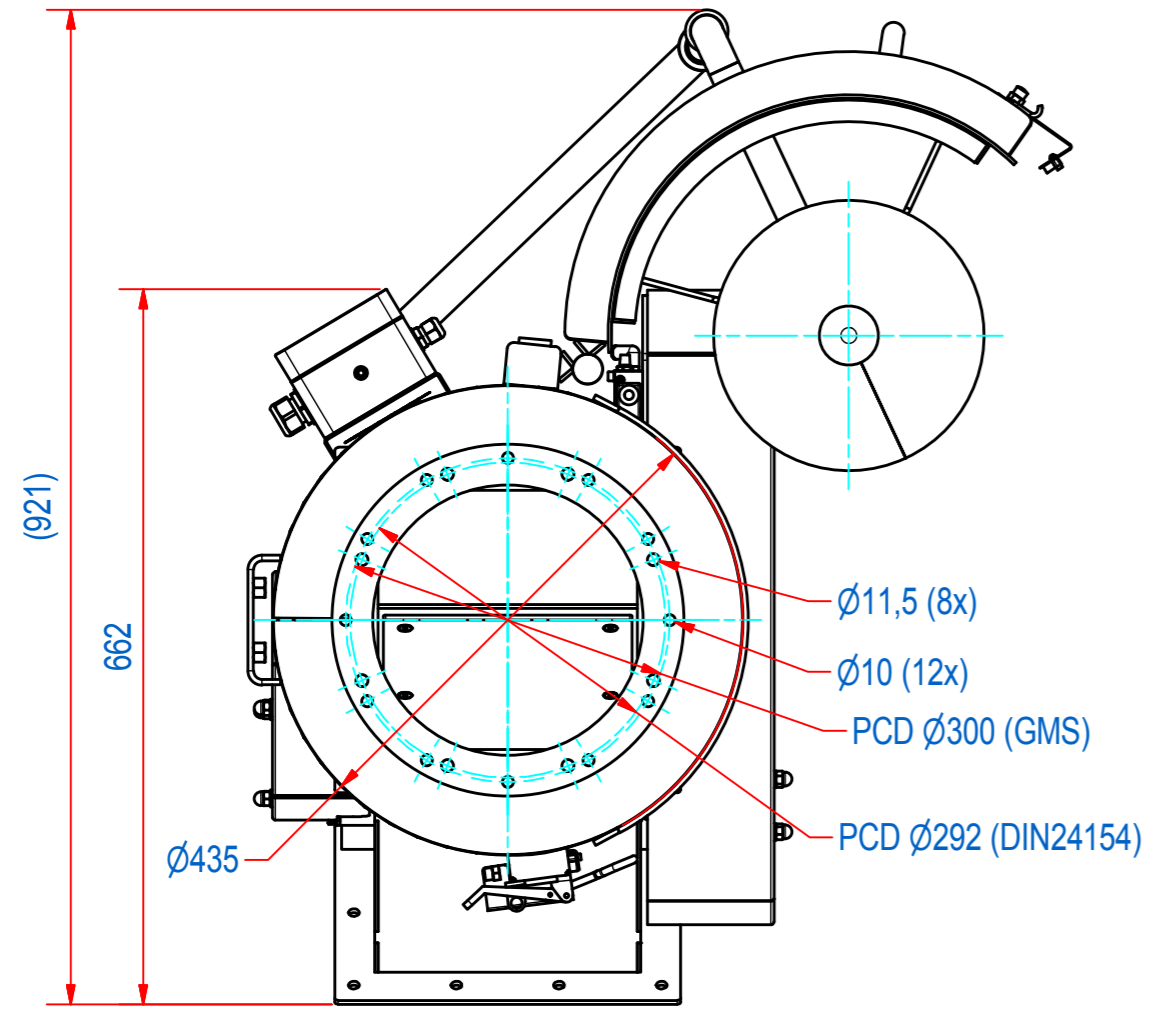


REV	DATE	BY	DESCRIPTION
-	6-1-2014	AvD	ORIGINAL INVENTOR DRAWING
A	7-2-2014	BS	ITEM STATE CHANGED



ATEX VERSION REFERS TO KEMA SCHEDULED DRAWING NR'S: M79009, M79010, M79011, M79012, M79014 AND M60398

ITEM	QTY	PART NUMBER	DESCRIPTION	Dimensions
7	48	70.0200008	WASHER M 8- A2	M 8
6	24	60.0200008	NUT, HEX M8 - A2	M8
5	24	50.1208025	BOLT, HEX M8x25 - A2	M8x25
4	2	SGAF242431	GASKET 320x240 MVQ SILICONE	
3	1	E0004691	RED #240/D250/H75	
2	1	SPKK240006	SPKK-S-240-500-C-Ex	
1	1	SPA000063	SPA-3-B-TC-OS-ST-Ex-D-B	

RAW MAT.	QTY	MAT. NUMBER	MAT. DESCRIPTION	LENGTH (mm)	WIDTH (mm)
1	1				

Sheet: <b>A2</b>	Extra info:	General tolerance: <b>ISO 2768 - mK</b>
Drawn: <b>CR</b>	Weight (kg): <b>187,4</b>	Drawn according: <b>ISO268; ISO1101; ISO2553</b>
Date: <b>19-12-2013</b>		Status: <b>Standard</b>
Spare part: <b>False</b>		Customer reference number:
Quick search: <b>EM3 EX</b>		File number: <b>SPAA001063</b>
Description: <b>SPA-3-V-TC-FO-ST-Ex-D-B</b>		Part number: <b>SPAA001063</b>