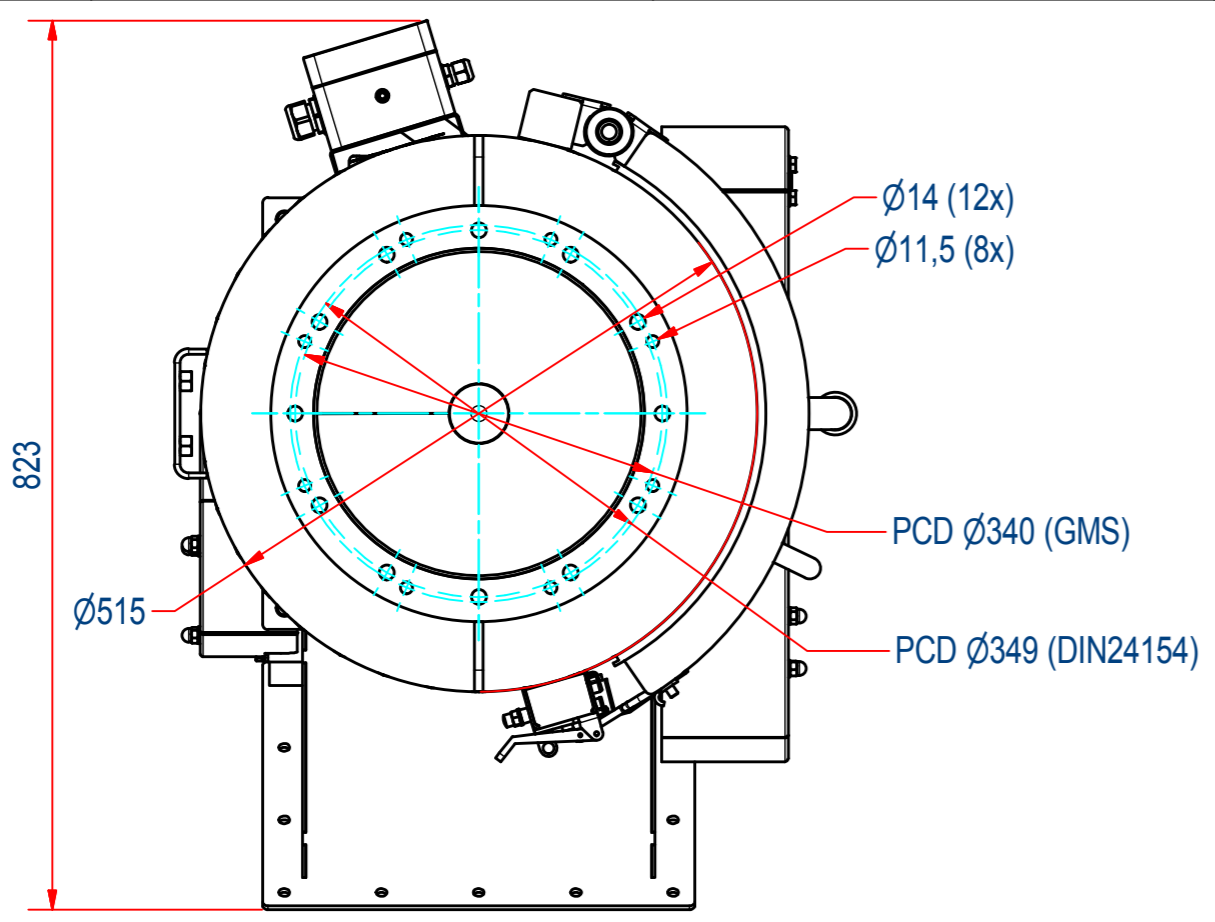
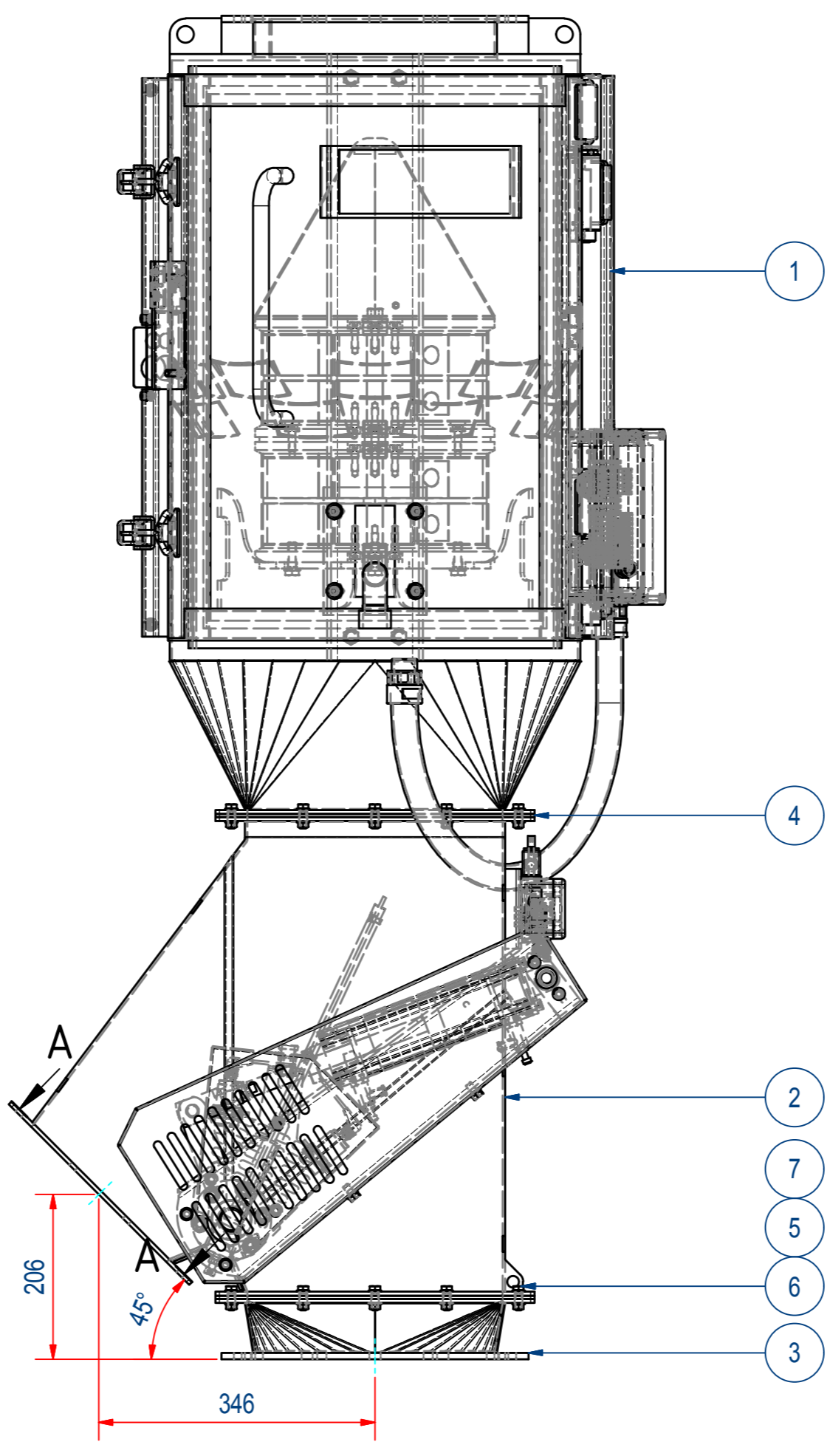
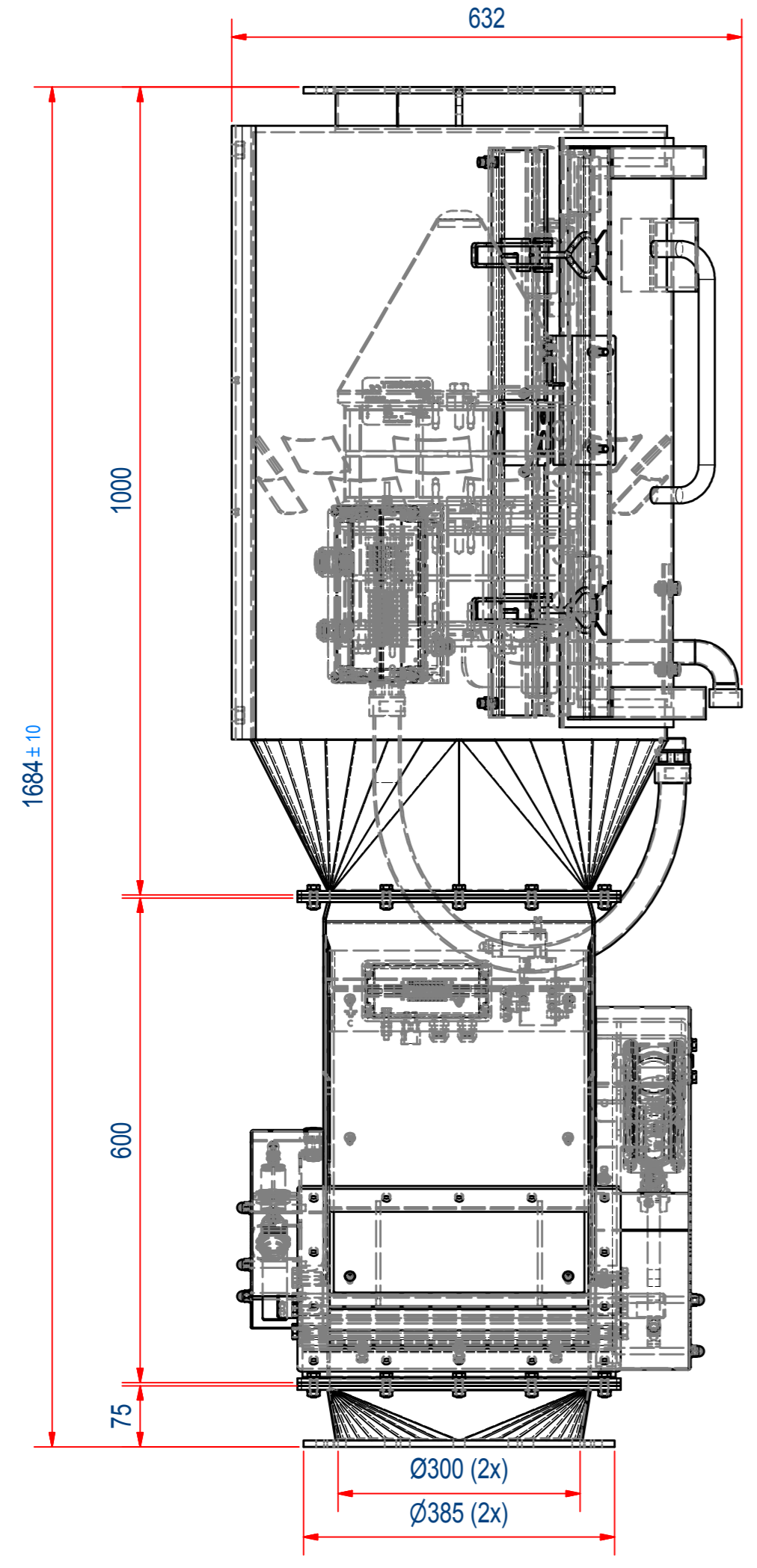
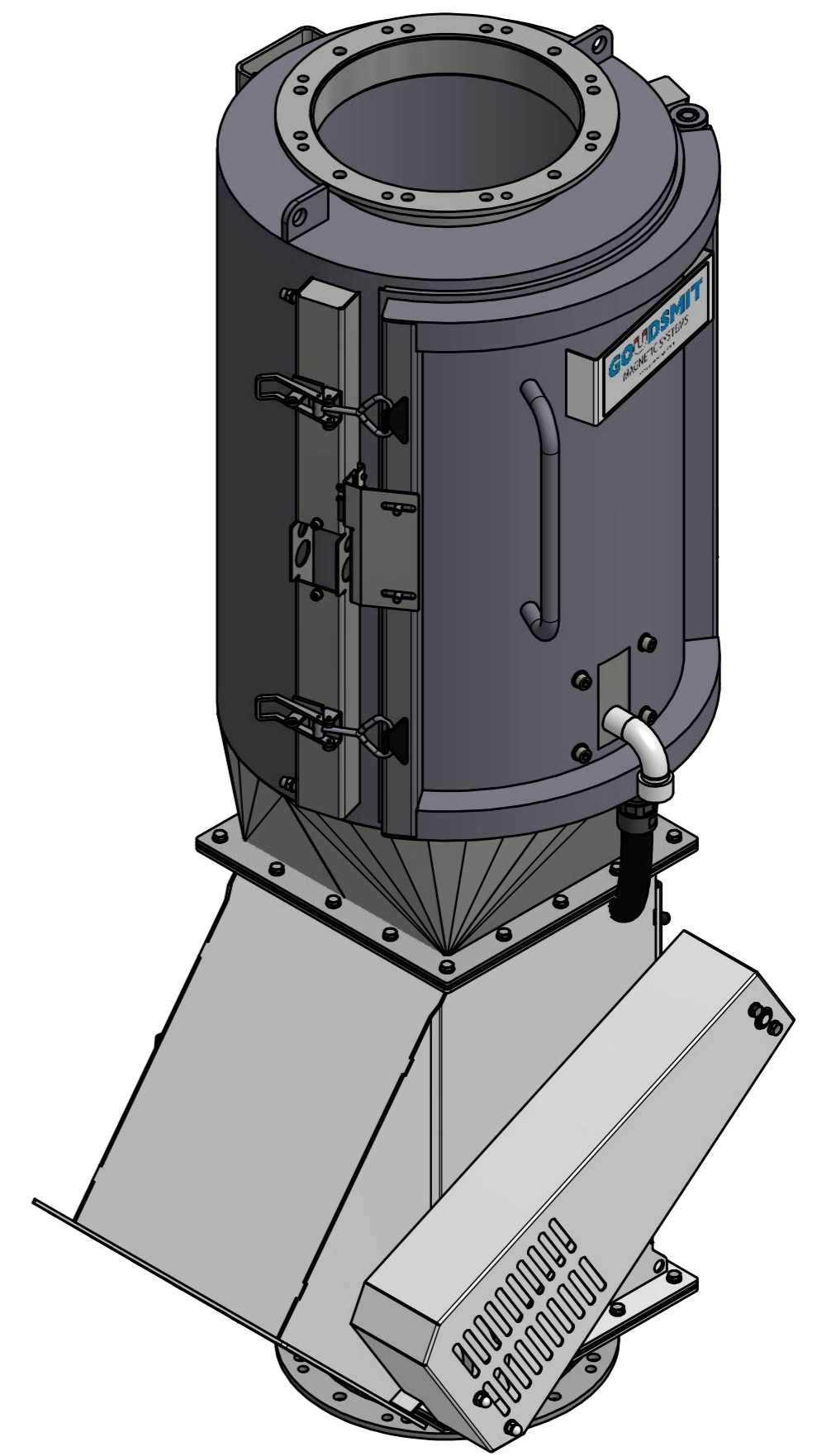
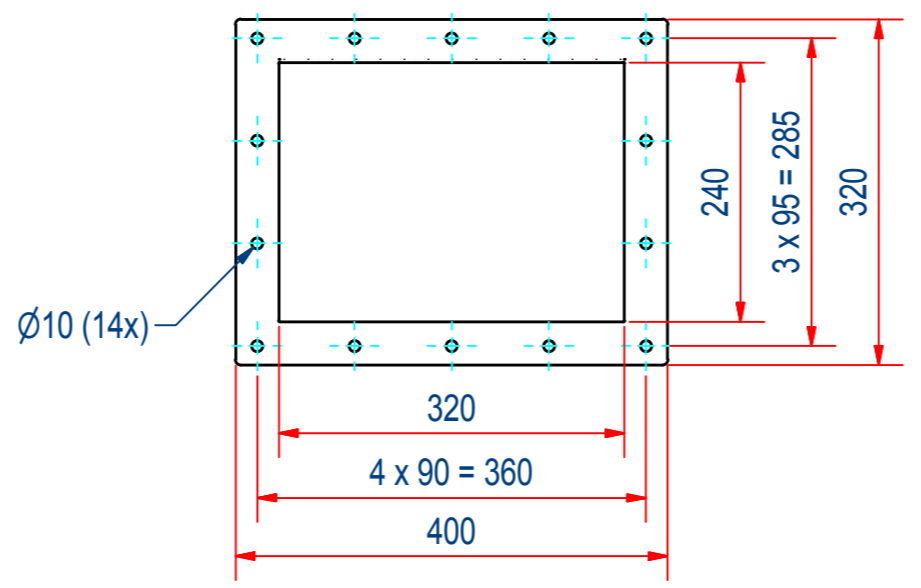


REV	DATE	BY	DESCRIPTION
-	7-1-2014	AvD	ORIGINAL INVENTOR DRAWING



A-A
FLANGE OUTLET



ATEX VERSION REFERS TO KEMA SCHEDULED DRAWING NR'S: M79009, M79010, M79011, M79012, M79014 AND M60398

ITEM	QTY	PART NUMBER	DESCRIPTION	Dimensions
7	32	60.0200008	NUT, HEX M8 - A2	M8
6	32	50.1208025	BOLT, HEX M8x25 - A2	M8x25
5	64	70.0200008	WASHER M 8- A2	M 8
4	2	S140203	GASKET SERE3232 MVQ SILICONE	
3	1	E0005308	RED #320/D250/H75	
2	1	SPKK320006	SPKK-S-320-600-C-Ex	
1	1	SPAE000064	SPA-4-B-FI-OS-ST-Ex-D-B	

RAW MAT.	QTY	MAT. NUMBER	MAT. DESCRIPTION	LENGTH (mm)	WIDTH (mm)
1	1				

Sheet: A2 Drawn: CR Date: 13-12-2013 Spare part: False Quick search: EM4 EX	Extra info: Weight (kg): 242,9 GOUDSMIT MAGNETIC SYSTEMS <small>© All rights reserved. Reproduction is not permitted without written permission of GOUDSMIT Magnetic Systems BV</small>	General tolerance: ISO 2768 - mK Drawn according: ISO268; ISO1101; ISO2553 Status: Standard Customer reference number: File number: SPAA001064 Part number: SPAA001064
----------------------------------------------------------------------------------------------------------------------------	-------------------------------------------------------------------------------------------------------------------------------------------------------------------------------------------------------------------	--------------------------------------------------------------------------------------------------------------------------------------------------------------------------------------------------------------------------

Description: **SPA-4-V-FI-FO-ST-Ex-D-B**