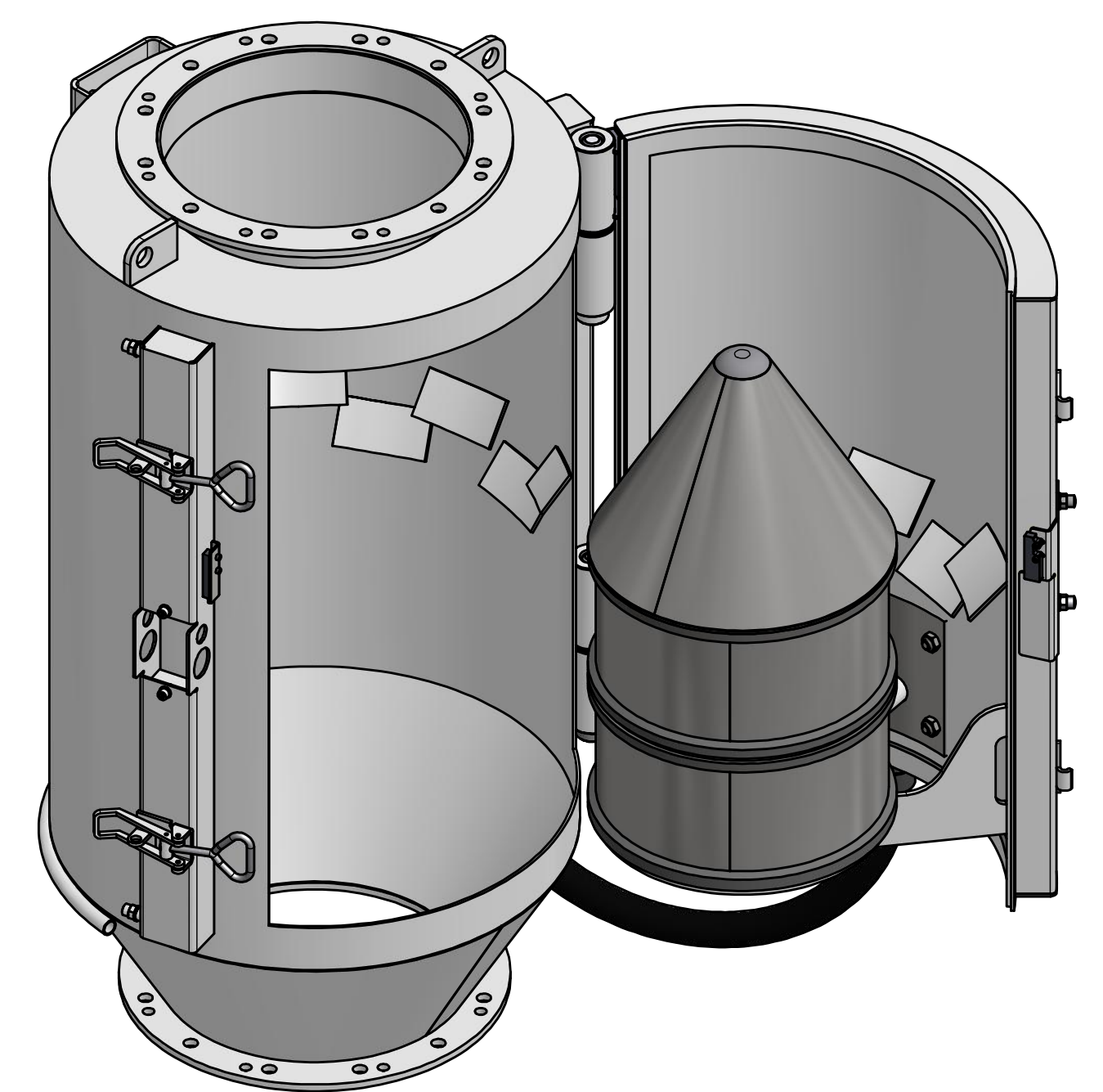
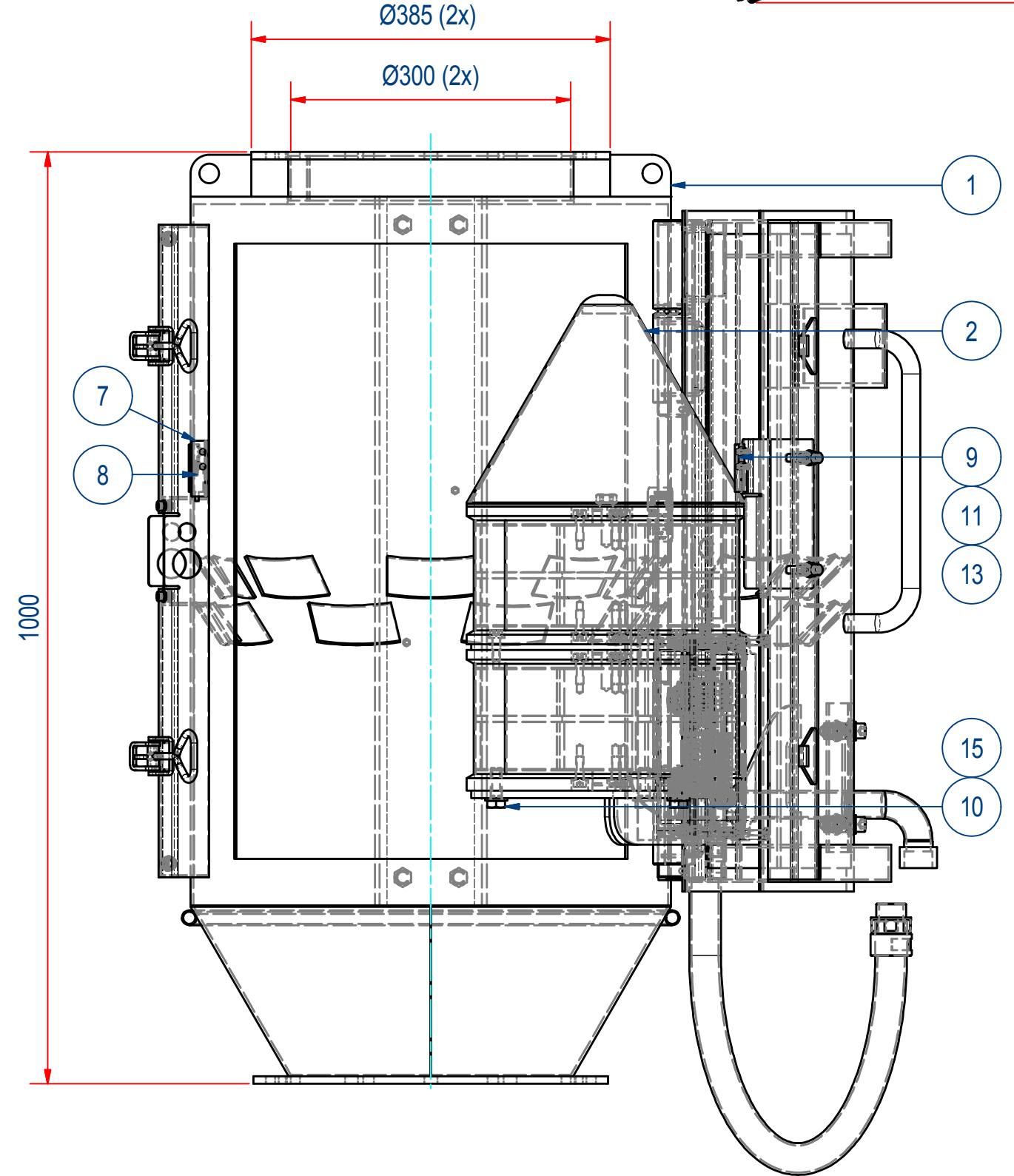
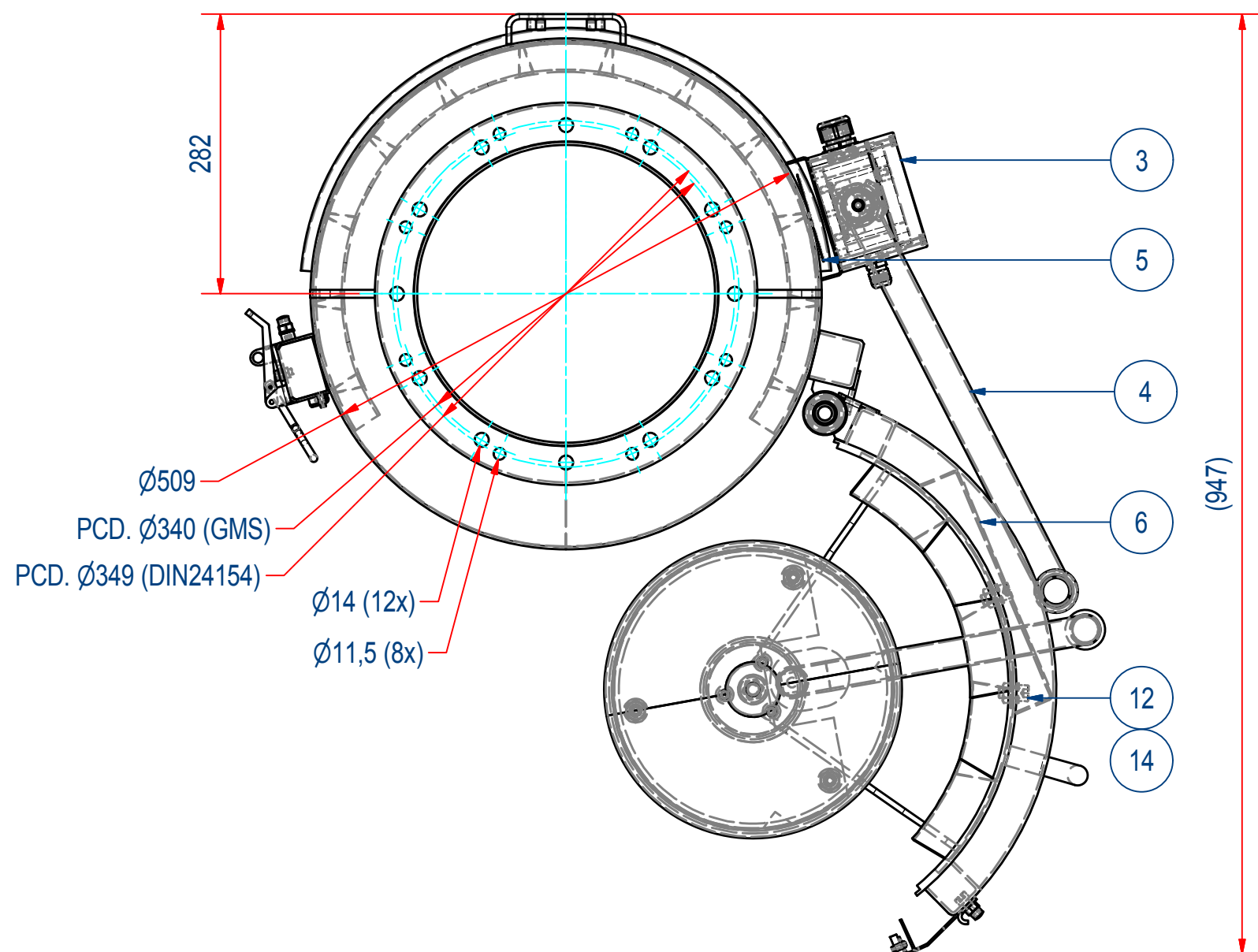


REV	DATE	BY	DESCRIPTION
-	3-6-2014	CR	ORIGINAL DRAWING



ATEX VERSION REFERS TO KEMA SCHEDULED DRAWING NR'S: M79009, M79010, M79011, M79012, M79014 AND M60398

ITEM	QTY	PART NUMBER	DESCRIPTION	Dimensions
15	3	70.0200012	WASHER M 12- A2	M 12
14	4	70.0200010	WASHER M 10- A2	M 10
13	2	60.0200003	NUT, HEX M3 - A2	M3
12	4	51.0210020	SCREW, HEX SH M10 x 20 - A2	M10 x 20
11	4	51.0203012	SCREW, HEX SH M3 x 12 - A2	M3 x 12
10	3	50.1212035	BOLT, HEX M12x35 - A2	M12x35
9	1	EITA542000	MAGNET for PSS P3000100	
8	1	EITA042000	CODED MAGNETIC SWITCH II2GD	
7	1	E0011344	MAGN SWITCH COVER	
6	1	E0011316	NAME PLATE 220x80	
5	1	M60398	SPAx ATEX MARKING ExII1/2D	
4	1	A110077	CONDUIT EM3-8 Ex	
3	1	SCBTP00004	TERMINAL BOX EM3-8 EX	
2	1	SPAK005064	SPA-4-CORE-60-Ex	
1	1	SPME002064	HOUSING EM4 60° Ø300	

RAW MAT.	QTY	MAT. NUMBER	MAT. DESCRIPTION	LENGTH (mm)	WIDTH (mm)
	1				

Sheet: <b>A2</b>	Extra info:	General tolerance: <b>ISO 2768 - mK</b>
Drawn: <b>CR</b>	Weight (kg): <b>181,1</b>	Drawn according: <b>ISO268; ISO1101; ISO2553</b>
Date: <b>2-12-2013</b>		Status: <b>Standard</b>
Spare part: <b>False</b>		Customer reference number:
Quick search: <b>EM4 EX</b>	<b>GOUDSMIT</b> MAGNETIC SYSTEMS	File number: <b>SPAB000064</b>
Description: <b>SPA-4-B-FI-FO-ST-Ex-D-B</b>	© All rights reserved. Reproduction is not permitted without written permission of GOUDSMIT Magnetic Systems BV	Part number: <b>SPAB000064</b>