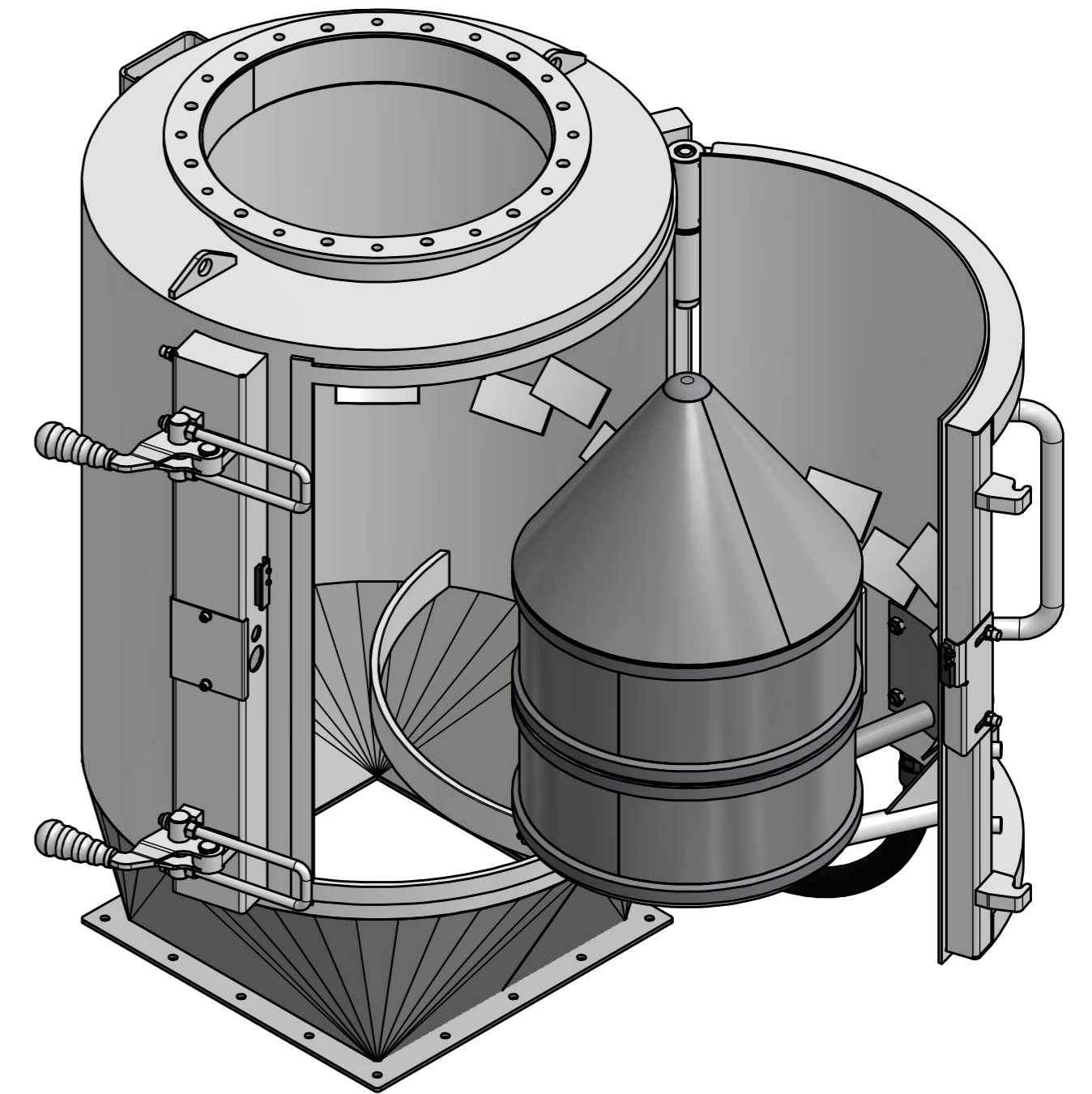


REV	DATE	BY	DESCRIPTION
-	7-1-2014	AvD	ORIGINAL INVENTOR DRAWING



ATEX VERSION REFERS TO KEMA SCHEDULED DRAWING NR: M79009

ITEM	QTY	PART NUMBER	DESCRIPTION	Dimensions
15	3	70.0200012	WASHER M 12- A2	M 12
14	4	70.0200010	WASHER M 10- A2	M 10
13	2	60.0200003	NUT, HEX M3 - A2	M3
12	4	51.0210020	SCREW, HEX SH M10 x 20 - A2	M10 x 20
11	4	51.0203012	SCREW, HEX SH M3 x 12 - A2	M3 x 12
10	3	50.1212035	BOLT, HEX M12x35 - A2	M12x35
9	1	EITA542000	MAGNET for PSS P3000100	
8	1	EITA042000	CODED MAGNETIC SWITCH II2GD	
7	1	E0011344	MAGN SWITCH COVER	
6	1	E0011316	NAME PLATE 220x80	
5	1	M60398	SPAx ATEX MARKING ExII1/2D	
4	1	A110077	CONDUIT EM3-8 Ex	
3	1	SCBTP00004	TERMINAL BOX EM3-8 EX	
2	1	SPAK005065	SPA-5-CORE-60-Ex	
1	1	SPME001065	HOUSE EM5 60° IN-OUTLET Ø400-V400	

RAW MAT.	QTY	MAT. NUMBER	MAT. DESCRIPTION	LENGTH (mm)	WIDTH (mm)
	1				

Sheet: A2	Extra info:	General tolerance: ISO 2768 - mK
Drawn: CR	Weight (kg): 279,5	Drawn according: ISO268; ISO1101; ISO2553
Date: 20-12-2013		Status: Standard
Spare part: False		Customer reference number:
Quick search: EM5 EX	© All rights reserved. Reproduction is not permitted without written permission of GOUDSMIT Magnetic Systems BV	File number: SPA-E000065
Description: SPA-5-B-FI-OS-ST-Ex-D-B		Part number: SPA-E000065

