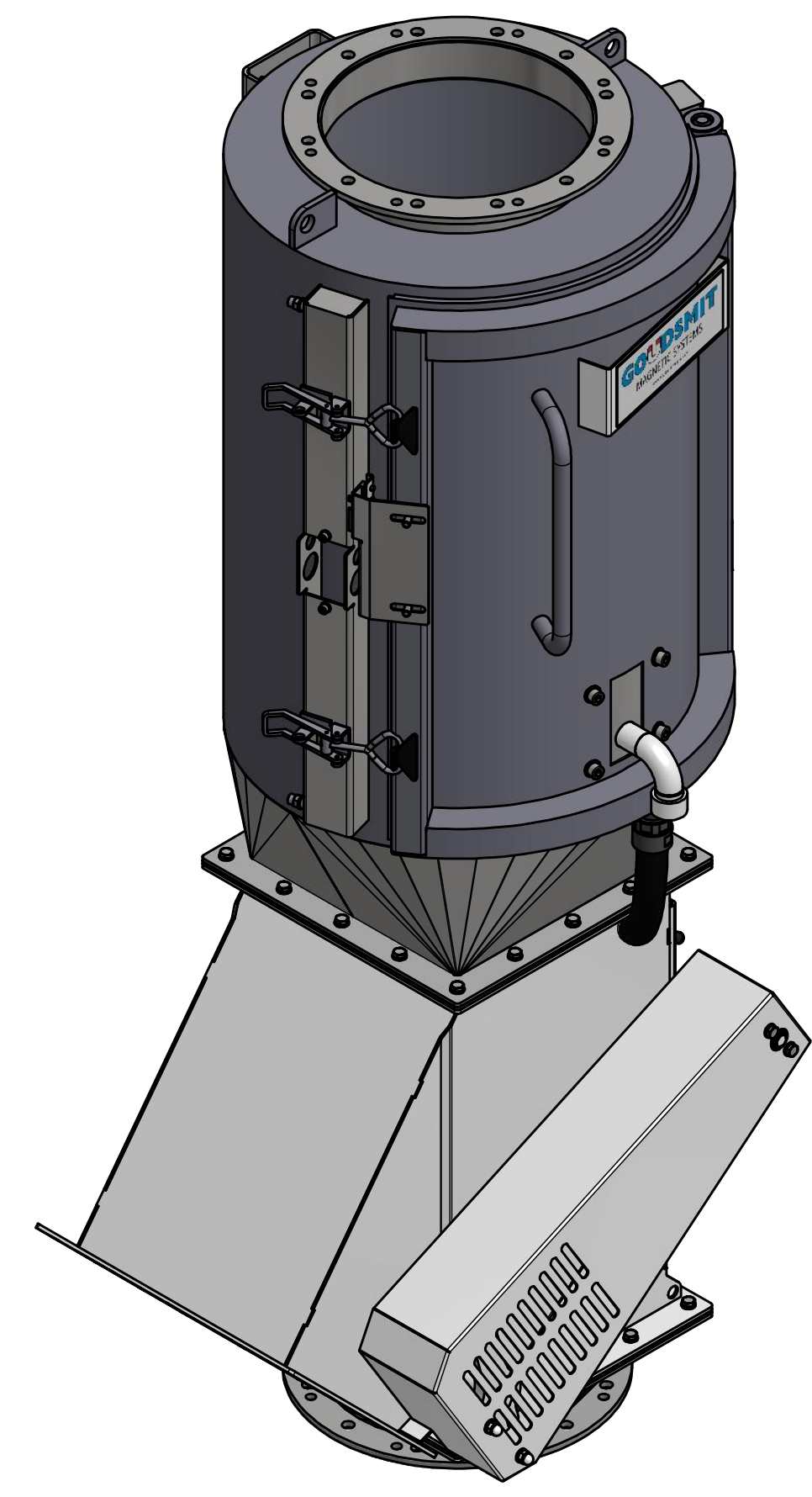
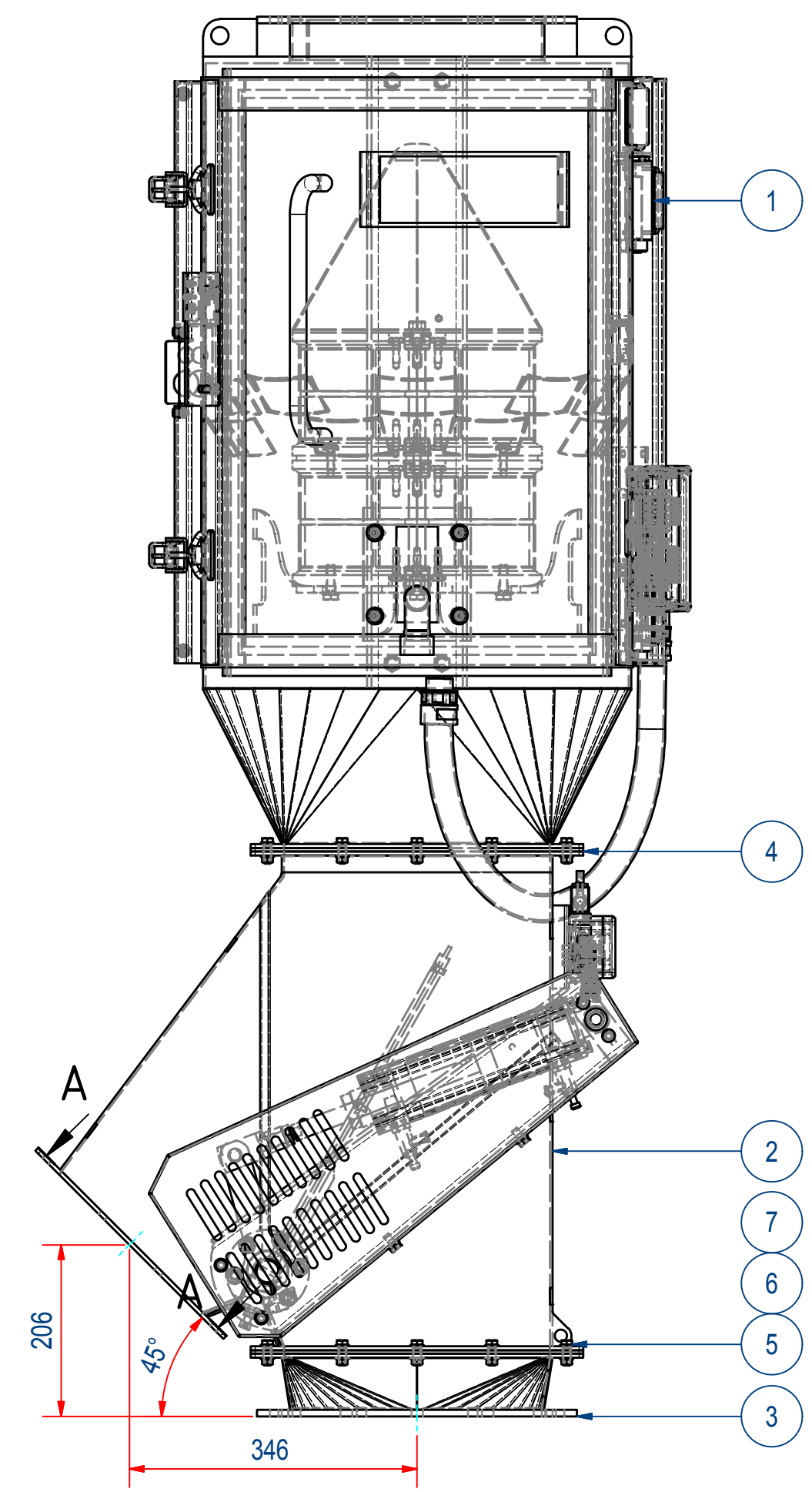
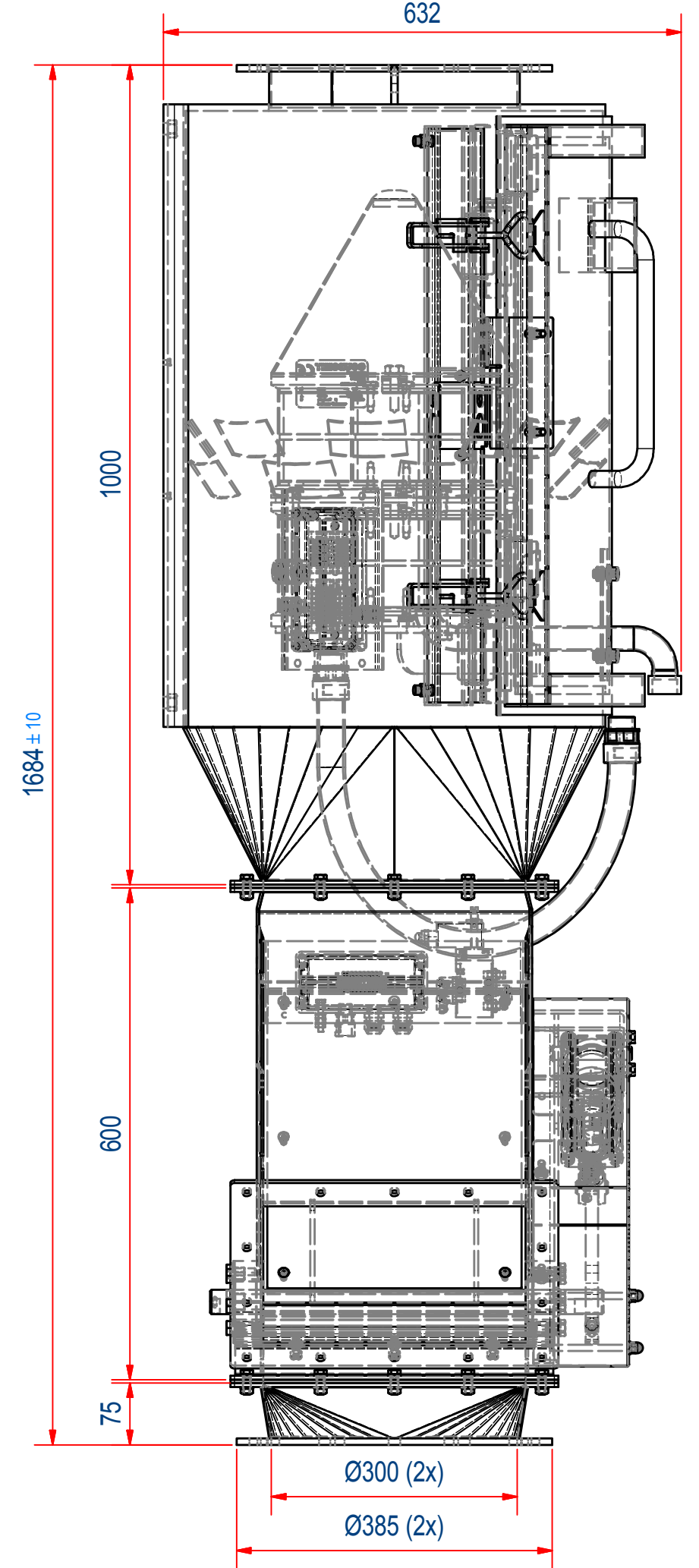
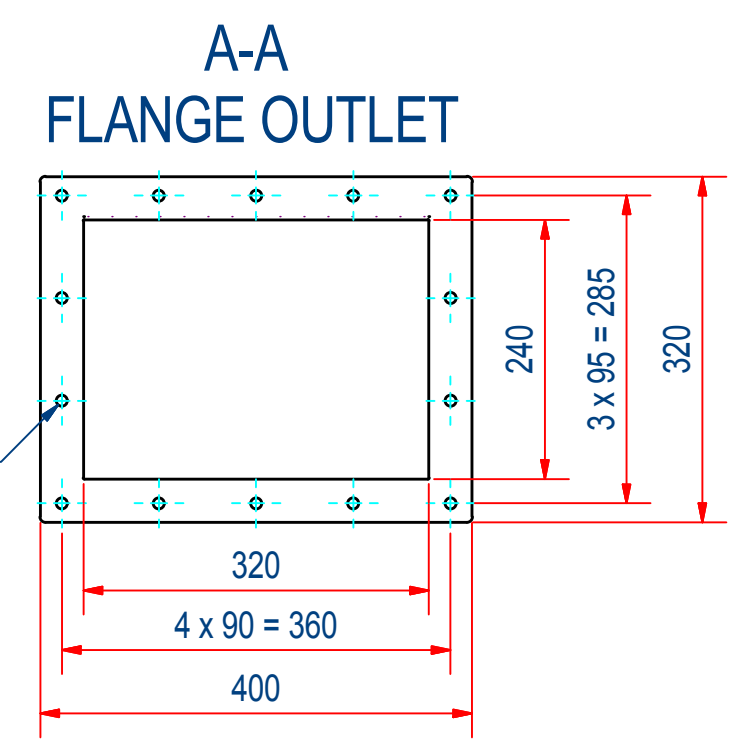
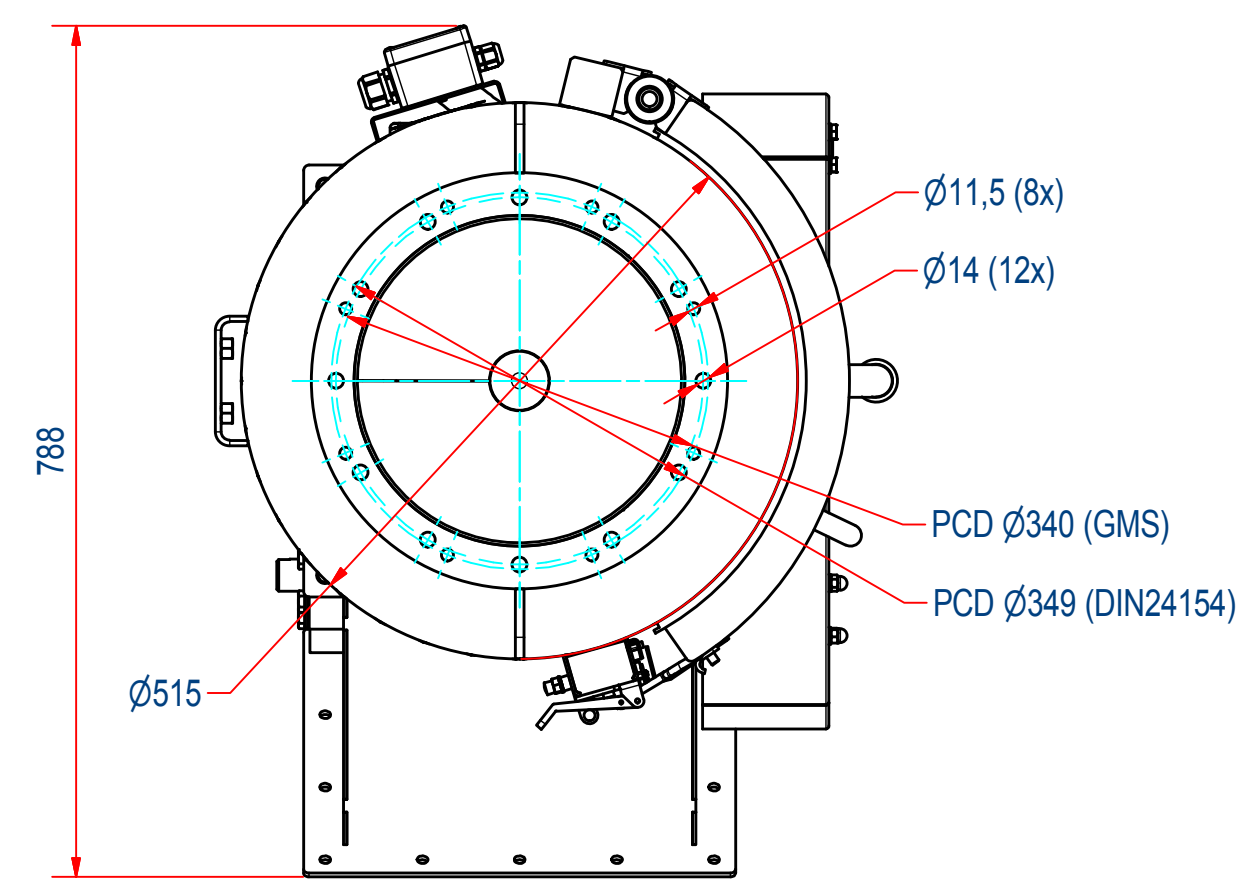


REV	DATE	BY	DESCRIPTION
-	28-5-2013	AvD	ORIGINAL INVENTOR DRAWING
A	7-1-2014	AvD	SPKK320007 WAS SPKK320006



ITEM	QTY	PART NUMBER	DESCRIPTION	Dimensions
7	64	70.0200008	WASHER M 8 - A2	M 8
6	32	60.0200008	NUT, HEX M8 - A2	M8
5	32	50.1208025	BOLT, HEX M8x25 - A2	M8x25
4	2	S140203	GASKET SERE3232 MVQ SILICONE	
3	1	E0005308	RED #320/D250/H75	
2	1	SPKK320007	SPKK-S-320-600-C-NA	
1	1	SPEE000064	SPA-4-B-FI-OS-ST-NA-D	

RAW MAT.	QTY	MAT. NUMBER	MAT. DESCRIPTION	LENGTH (mm)	WIDTH (mm)
⊕	1	A2	Sheet: A2		
CR	1	237,9	Weight (kg): 237,9		
Date:	28-5-2013		Extra info:	General tolerance: ISO 2768 - mK	
Spare part:	False			Drawn according: ISO268; ISO1101; ISO2553	
Quick search:	EM4			Status: Standard	
Description:	SPA-4-V-FI-FO-ST-NA-D-B			File number: SPEA001064	Rev: A
			© All rights reserved. Reproduction is not permitted without written permission of GOUDSMIT Magnetic Systems BV	Part number: SPEA001064	Rev: A