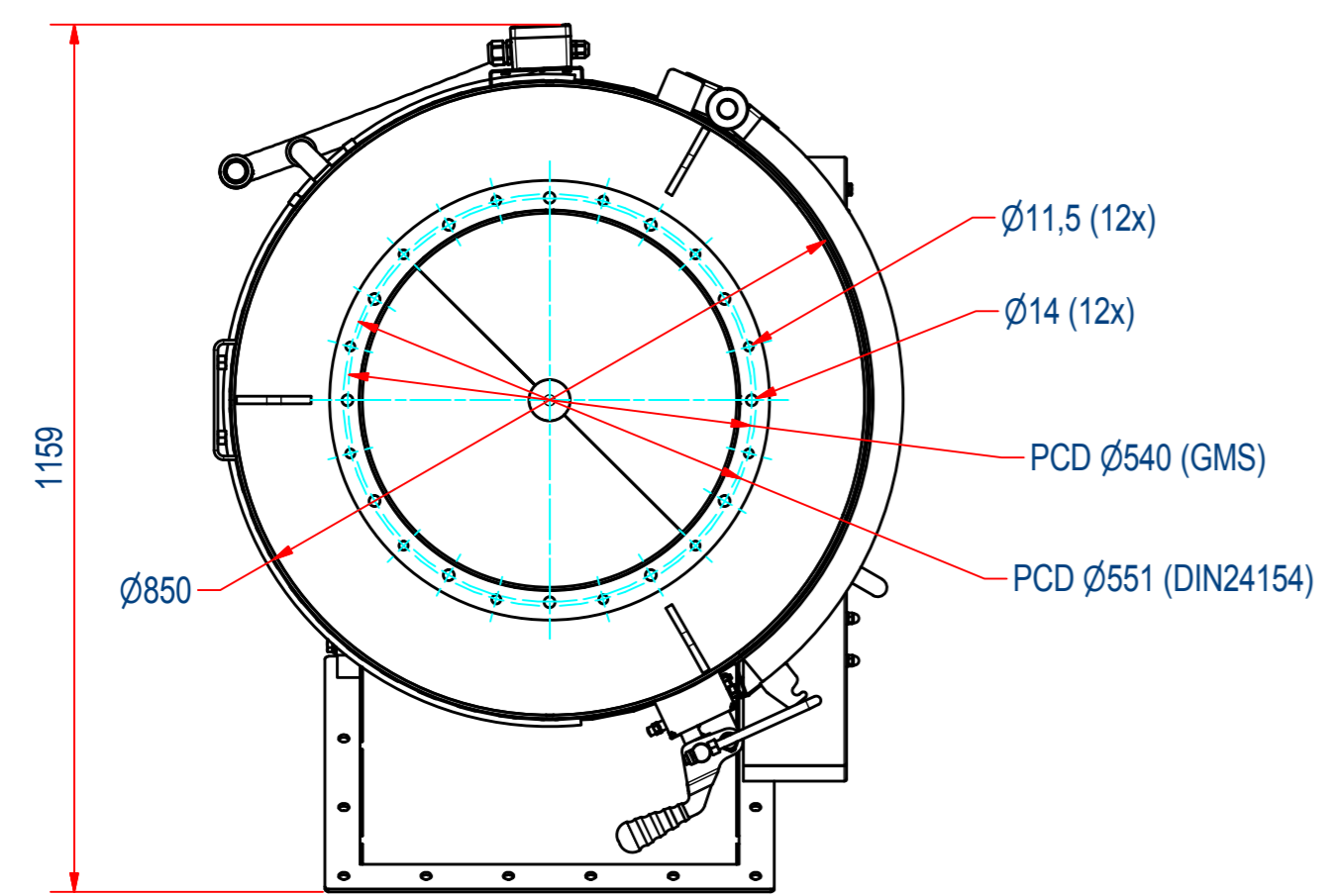
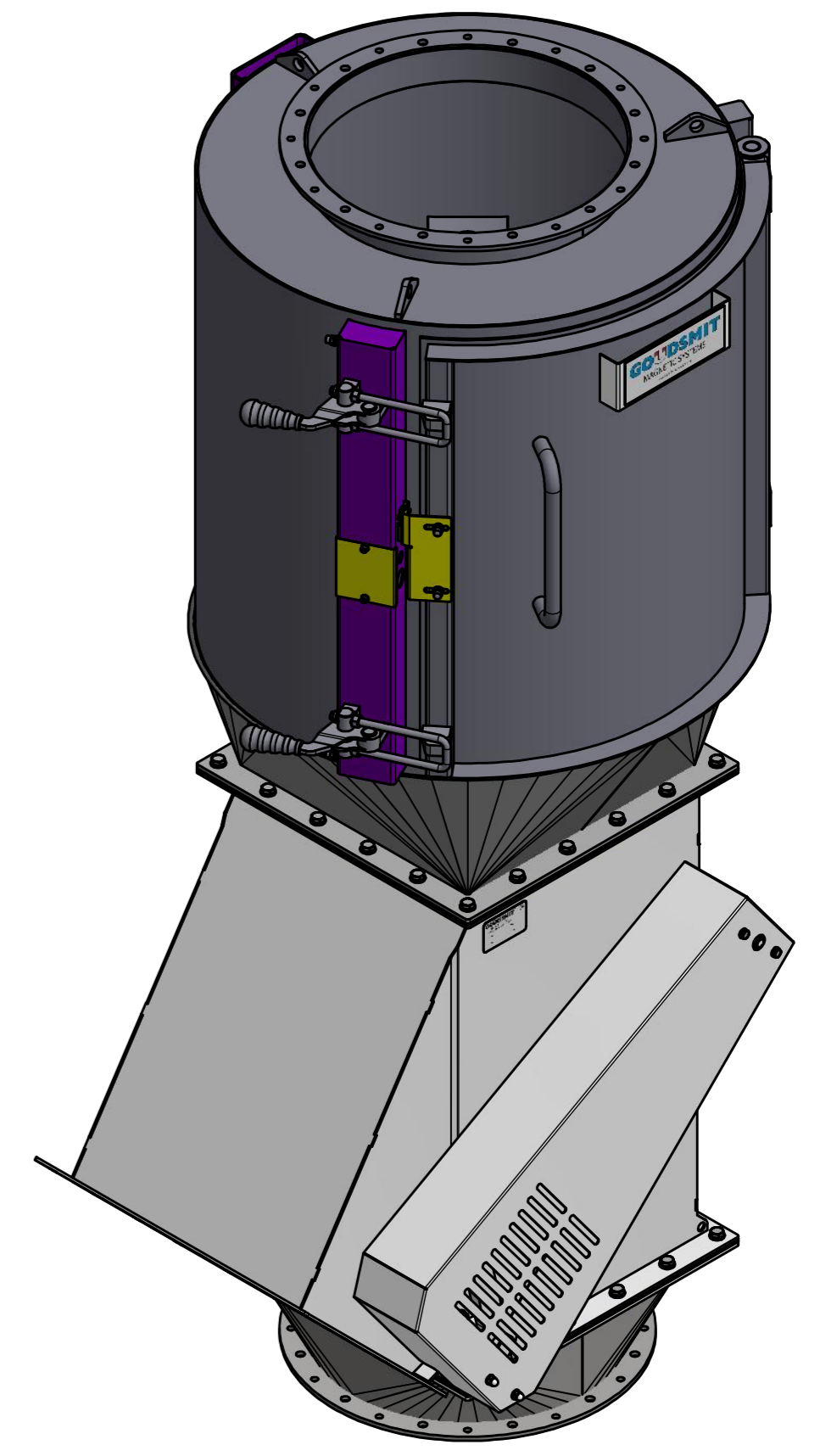
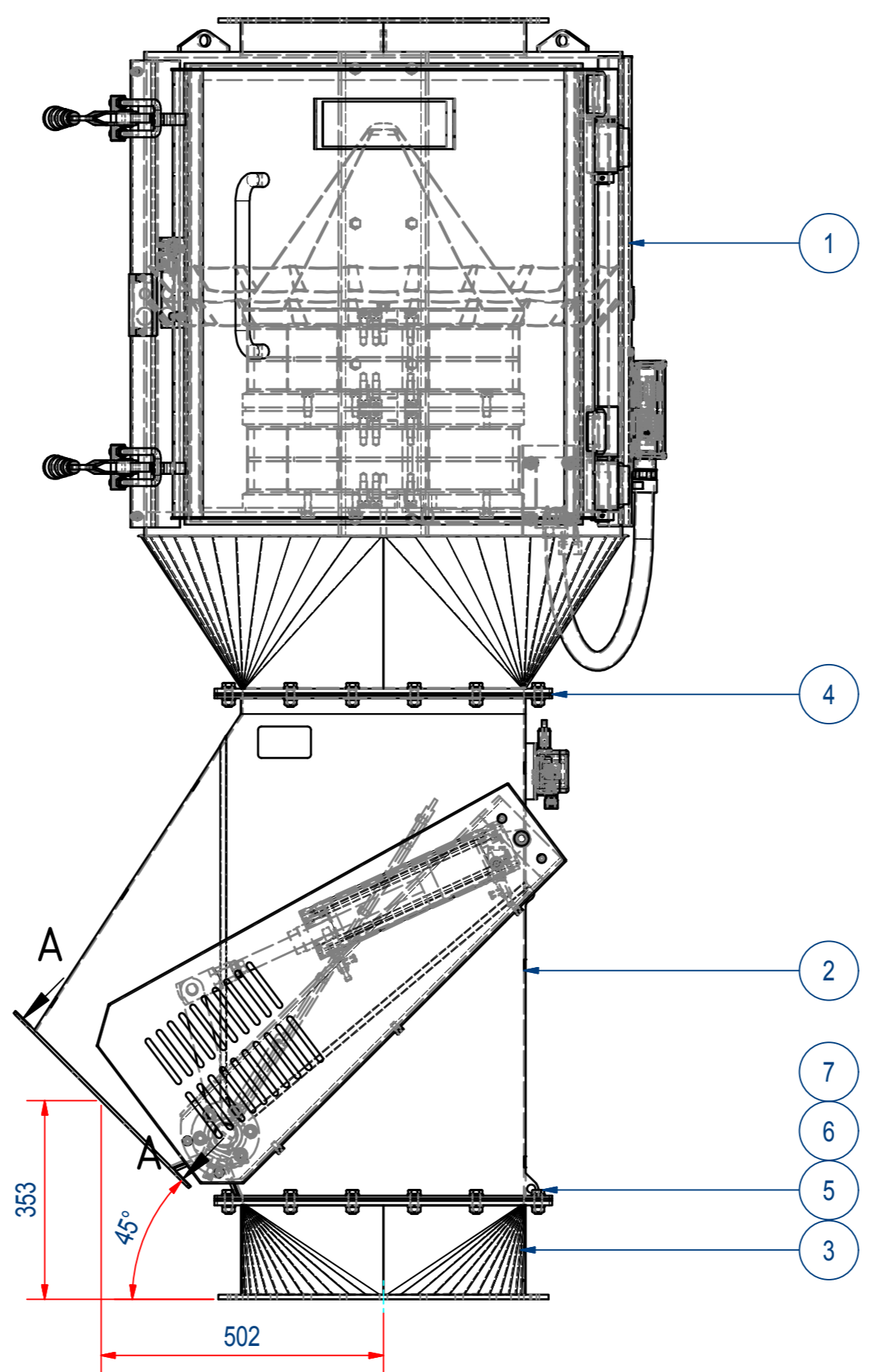
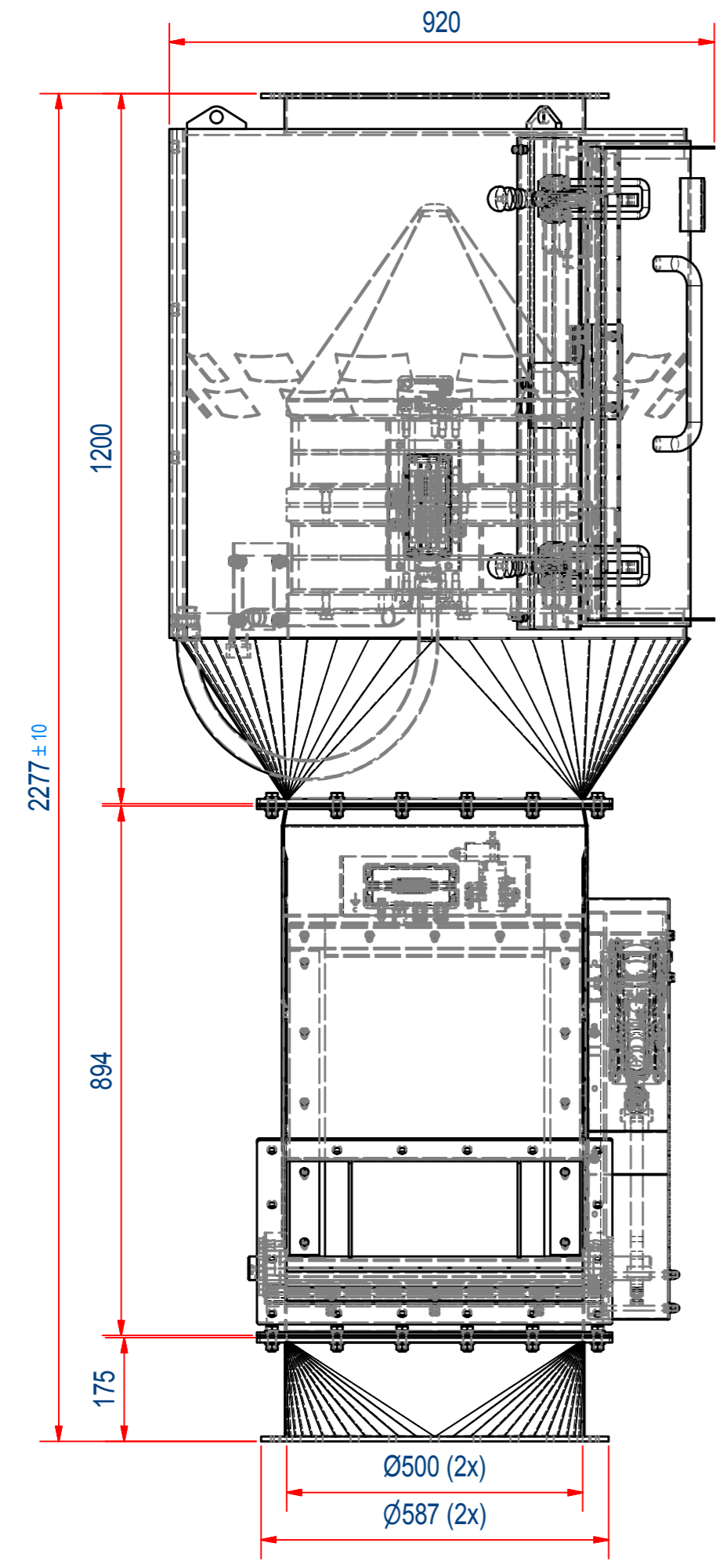
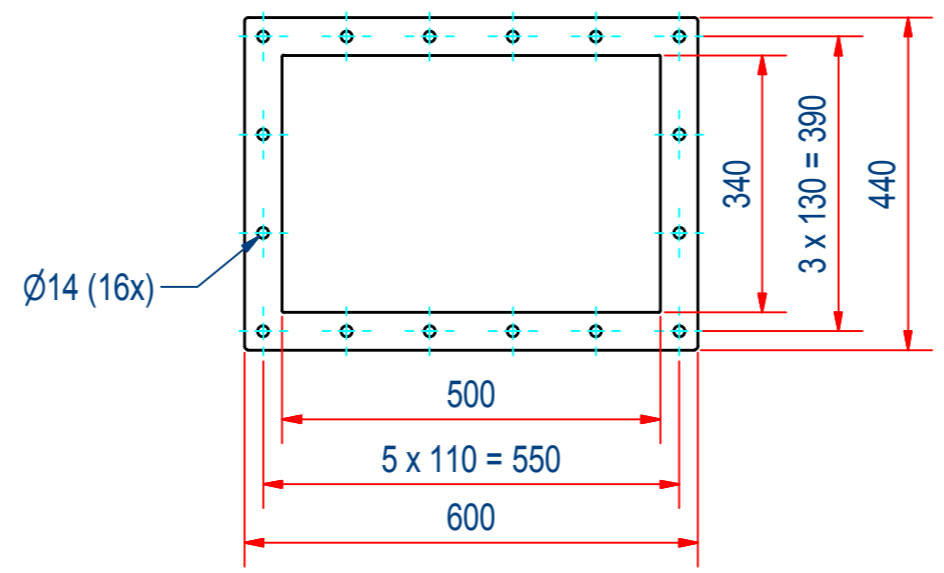


REV	DATE	BY	DESCRIPTION
-	21-6-2013	CR	ORIGINAL INVENTOR DRAWING
A	7-1-2014	AvD	DRAWING VIEW CHANGED
B	1-7-2014	CR	HEIGHT CHANGED: 2277MM WAS 2377MM



A-A  
FLANGE OUTLET



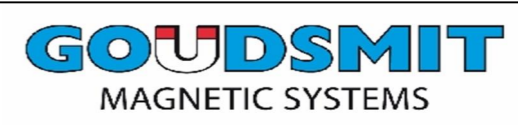
ITEM	QTY	PART NUMBER	DESCRIPTION	Dimensions
7	80	70.0200012	WASHER M 12- A2	M 12
6	40	60.0200012	NUT, HEX M12 - A2	M12
5	40	50.1212035	BOLT, HEX M12x35 - A2	M12x35
4	2	SGAF505051	GASKET 600x500 MVQ SILICONE	
3	1	SERE505025	RED #500-D500 H175 DIN24154 304L	
2	1	SPKK500007	SPKK-S-500-900-C-NA	
1	1	SPEE000066	SPA-6-B-FI-OS-ST-NA-D-B	

RAW MAT.	QTY	MAT. NUMBER	MAT. DESCRIPTION	LENGTH (mm)	WIDTH (mm)
1	1				

Sheet: <b>A2</b>	Extra info:	General tolerance: <b>ISO 2768 - mK</b>
Drawn: <b>CR</b>	Weight (kg): <b>653,5</b>	Drawn according: <b>ISO268; ISO1101; ISO2553</b>
Date: <b>21-6-2013</b>		Status: <b>Standard</b>
Spare part: <b>False</b>		Customer reference number:
Quick search: <b>EM6</b>		File number: <b>SPEA001066</b>
Description: <b>SPA-6-V-FI-FO-ST-NA-D-B</b>		Part number: <b>SPEA001066</b>



© All rights reserved. Reproduction is not permitted without written permission of GOUDSMIT Magnetic Systems BV