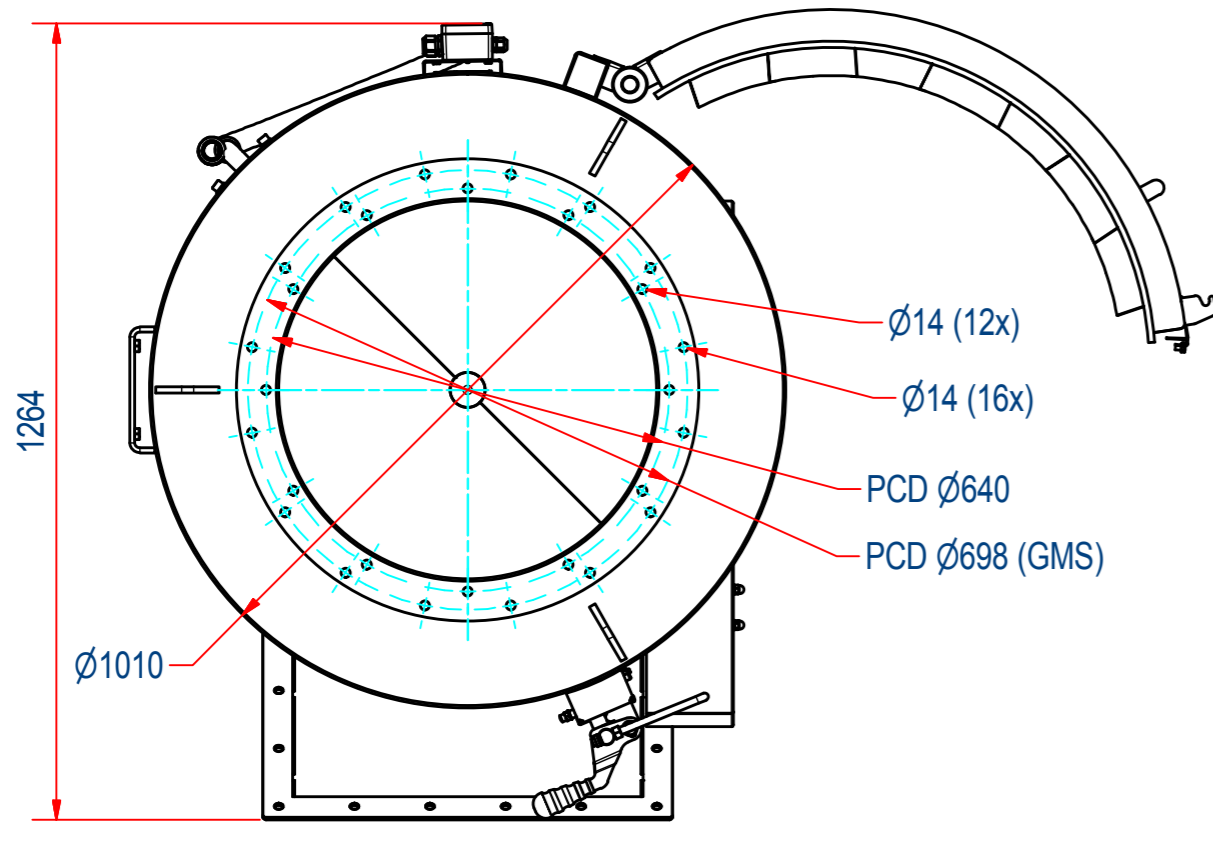
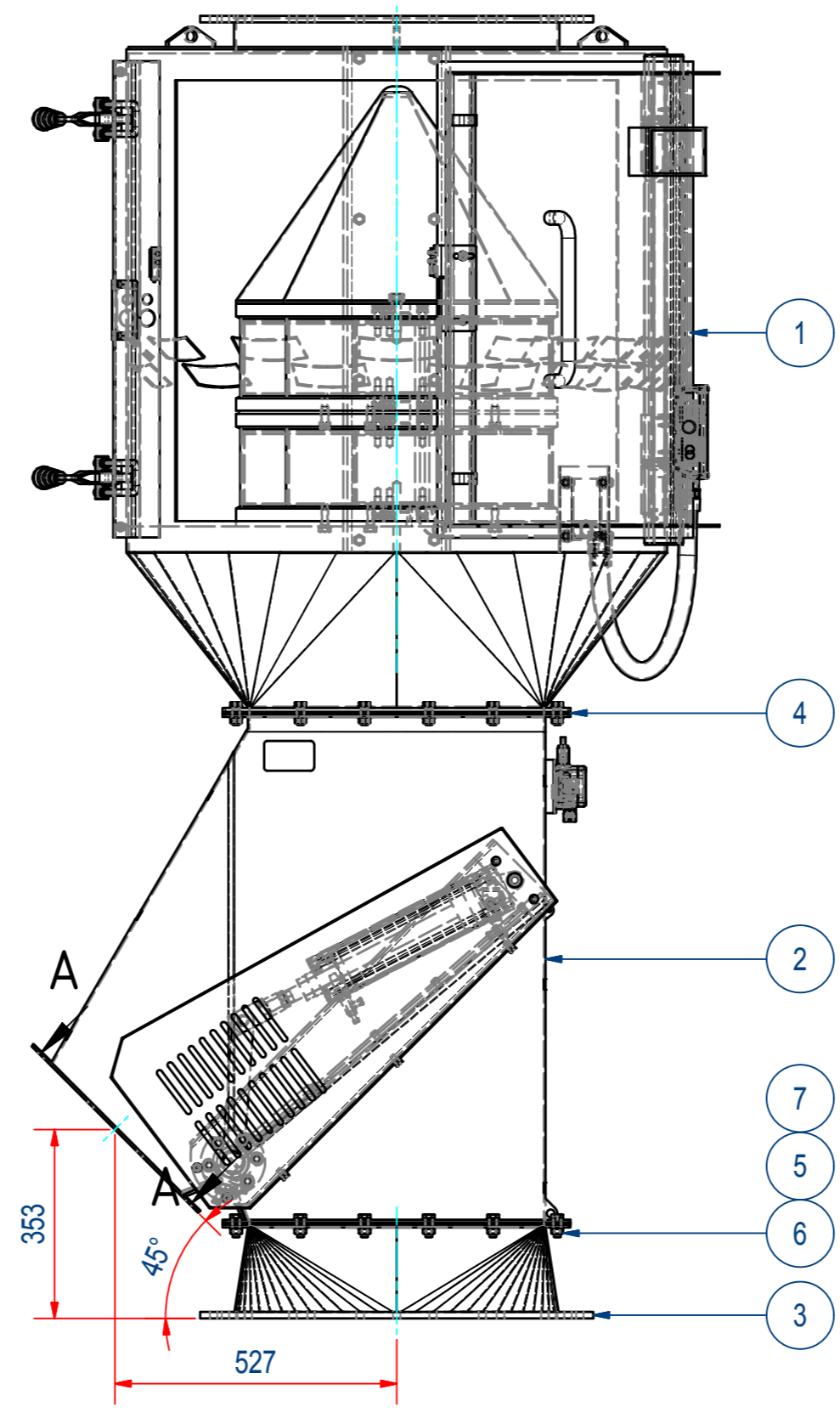
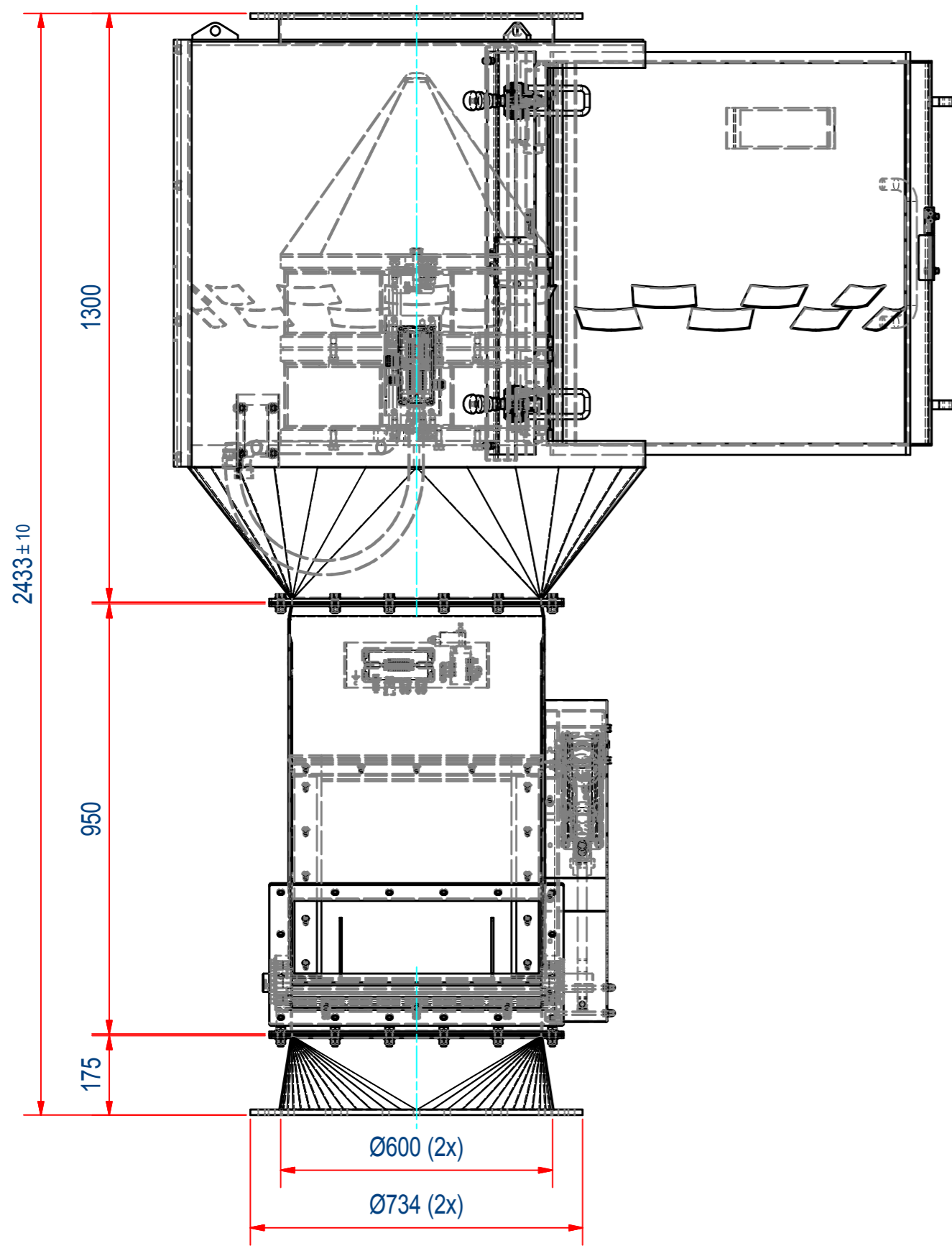
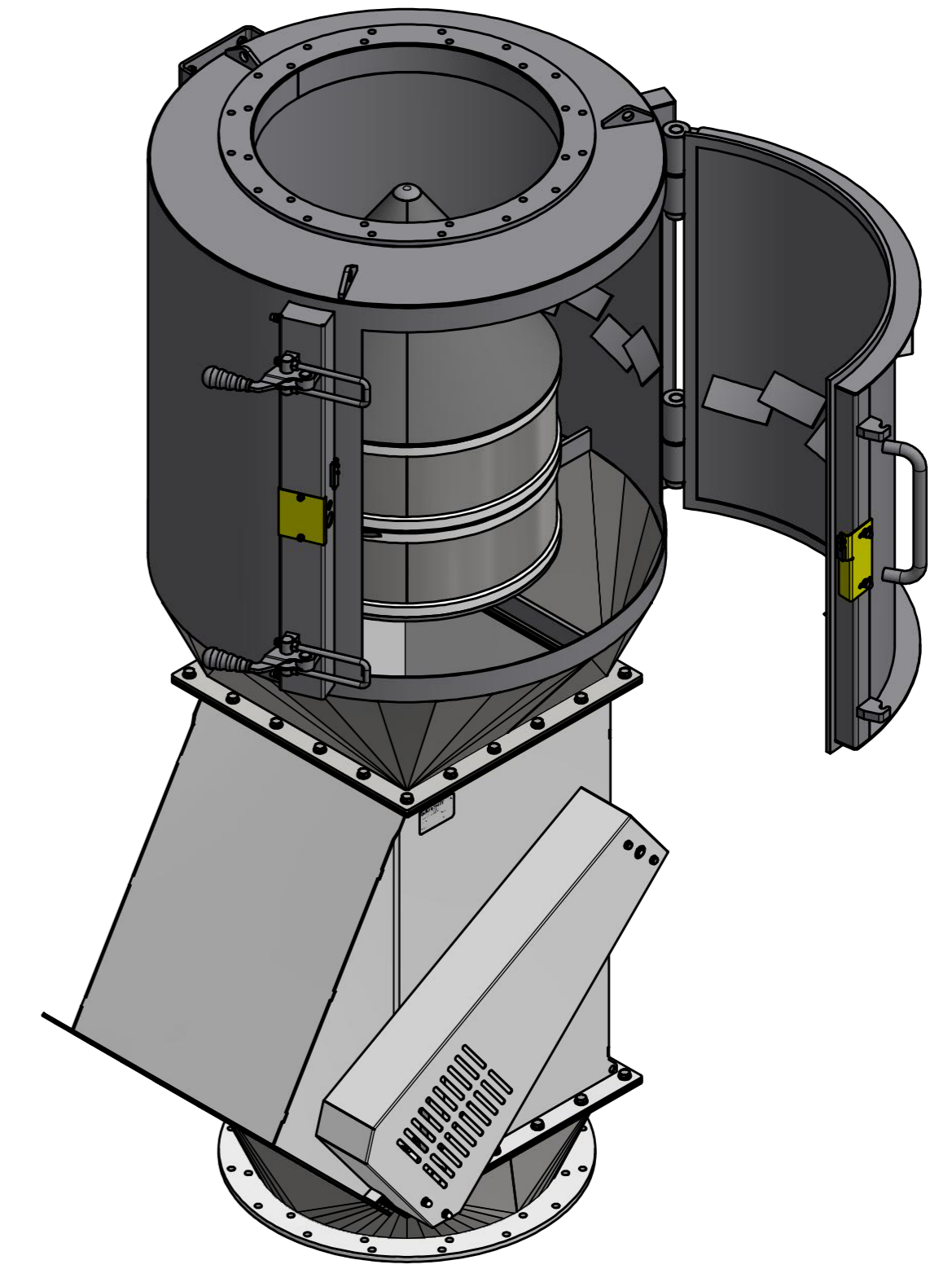
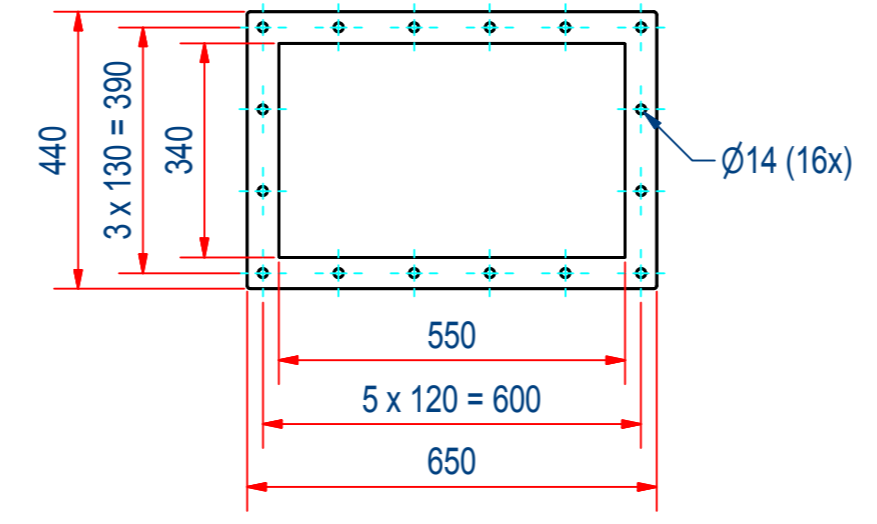


REV	DATE	BY	DESCRIPTION
-	7-1-2014	AvD	ORIGINAL DRAWING
A	1-7-2014	CR	HEIGHT CHANGED: 2433MM WAS 2503MM



A-A  
FLANGE OUTLET



ITEM	QTY	PART NUMBER	DESCRIPTION	Dimensions
7	80	70.0200012	WASHER M 12- A2	M 12
6	40	60.0200012	NUT, HEX M12 - A2	M12
5	40	50.1212035	BOLT, HEX M12x35 - A2	M12x35
4	2	SGAF555551	GASKET 650x550 MVQ SILICONE	
3	1	SERE555525	RED #550-D600 H175 DIN24154 304L	
2	1	SPKK550007	SPKK-S-550-950-C-NA	
1	1	SPEE000067	SPA-7-B-FI-OS-ST-NA-D-B	

RAW MAT.	QTY	MAT. NUMBER	MAT. DESCRIPTION	LENGTH (mm)	WIDTH (mm)
⊕	1				

Sheet: <b>A2</b>	Extra info:	General tolerance: <b>ISO 2768 - mK</b>
Drawn: <b>AVD</b>	Weight (kg): <b>1125.7</b>	Drawn according: <b>ISO268; ISO1101; ISO2553</b>
Date: <b>7-1-2014</b>		Status: <b>Standard</b>
Spare part: <b>False</b>		Customer reference number:
Quick search: <b>EM7</b>		File number: <b>SPEA001067</b>
Description: <b>SPA-7-V-FI-FO-ST-NA-D-B</b>		Part number: <b>SPEA001067</b>



© All rights reserved. Reproduction is not permitted without written permission of GOUDSMIT Magnetic Systems BV