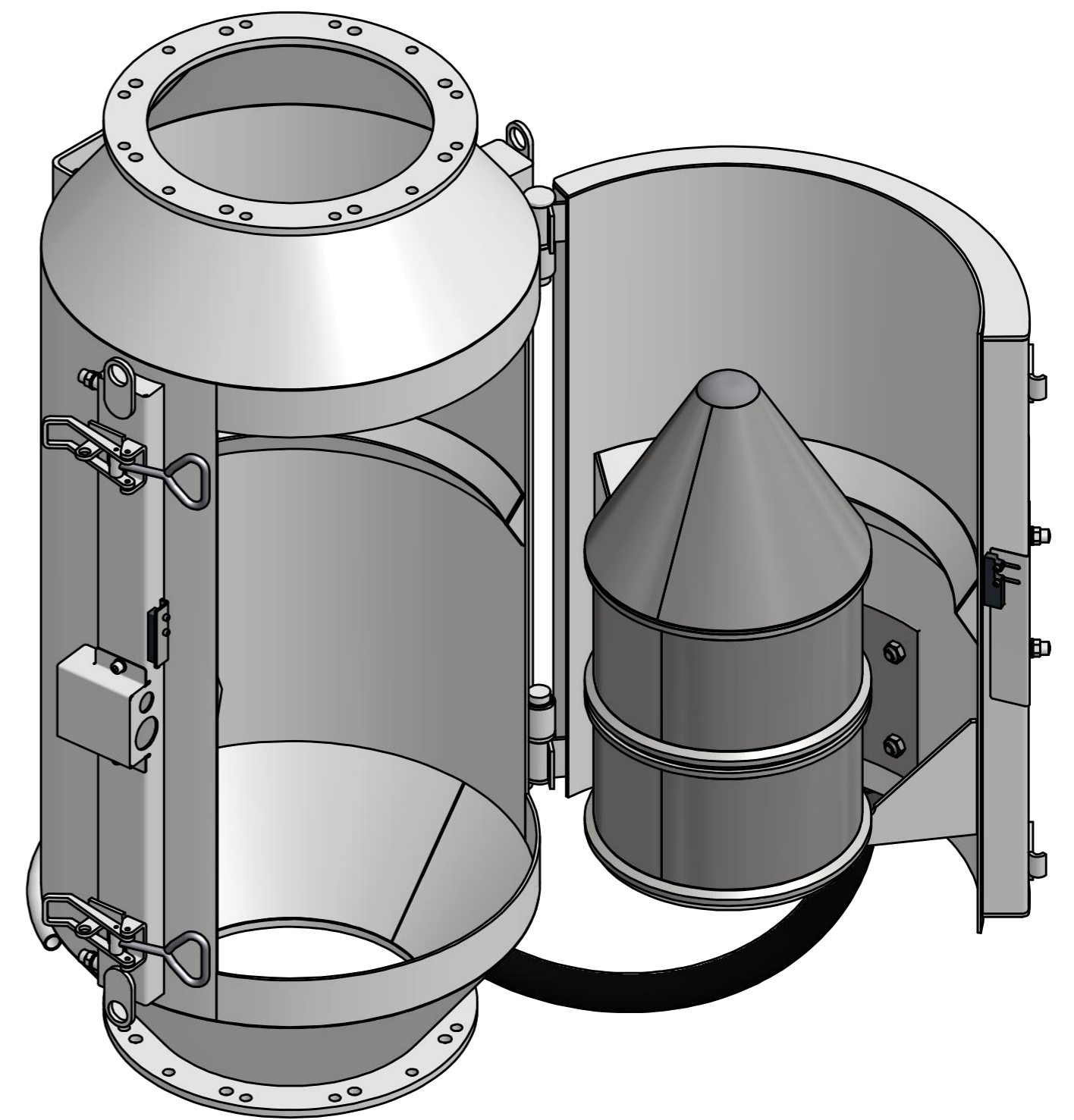
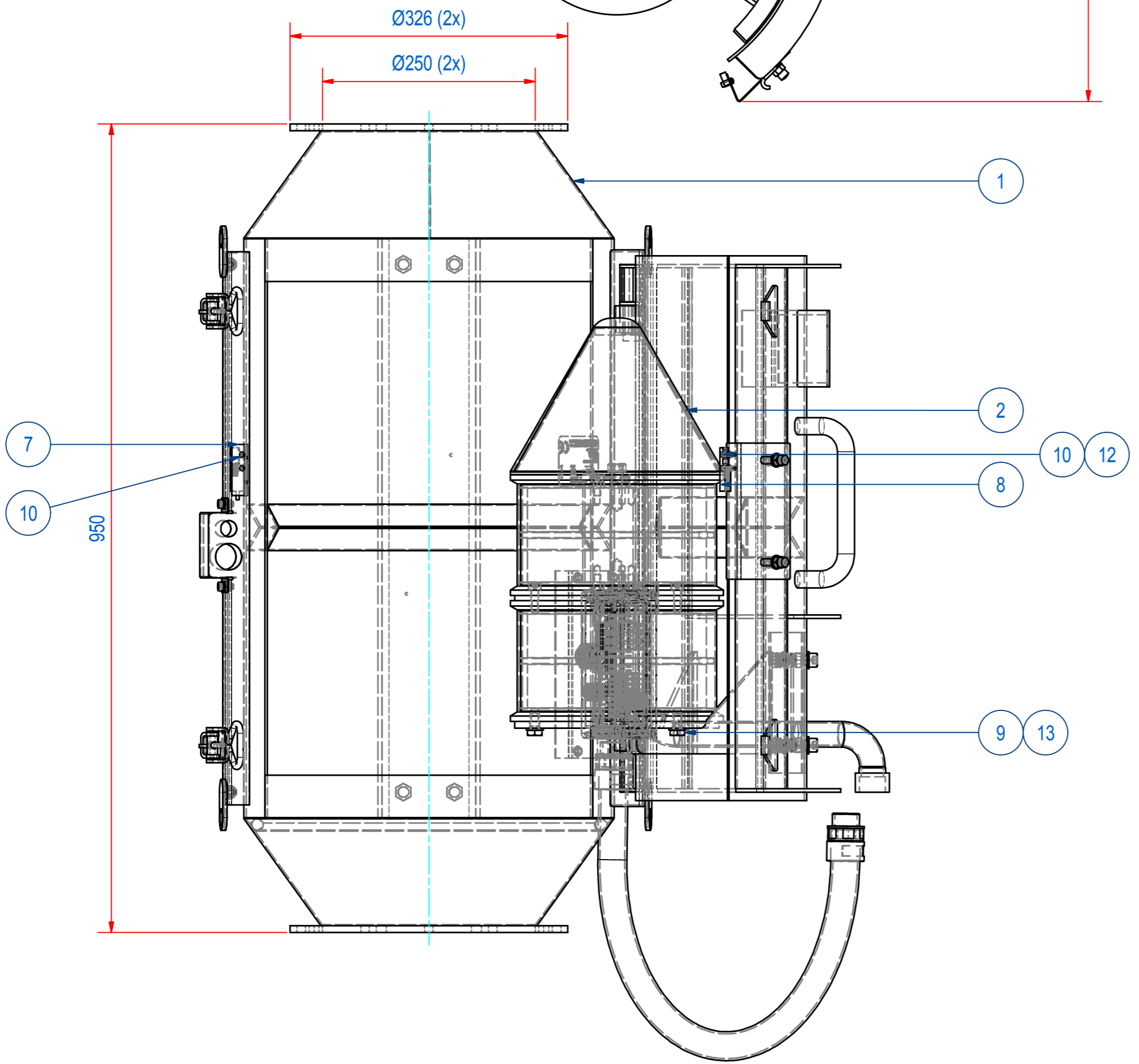
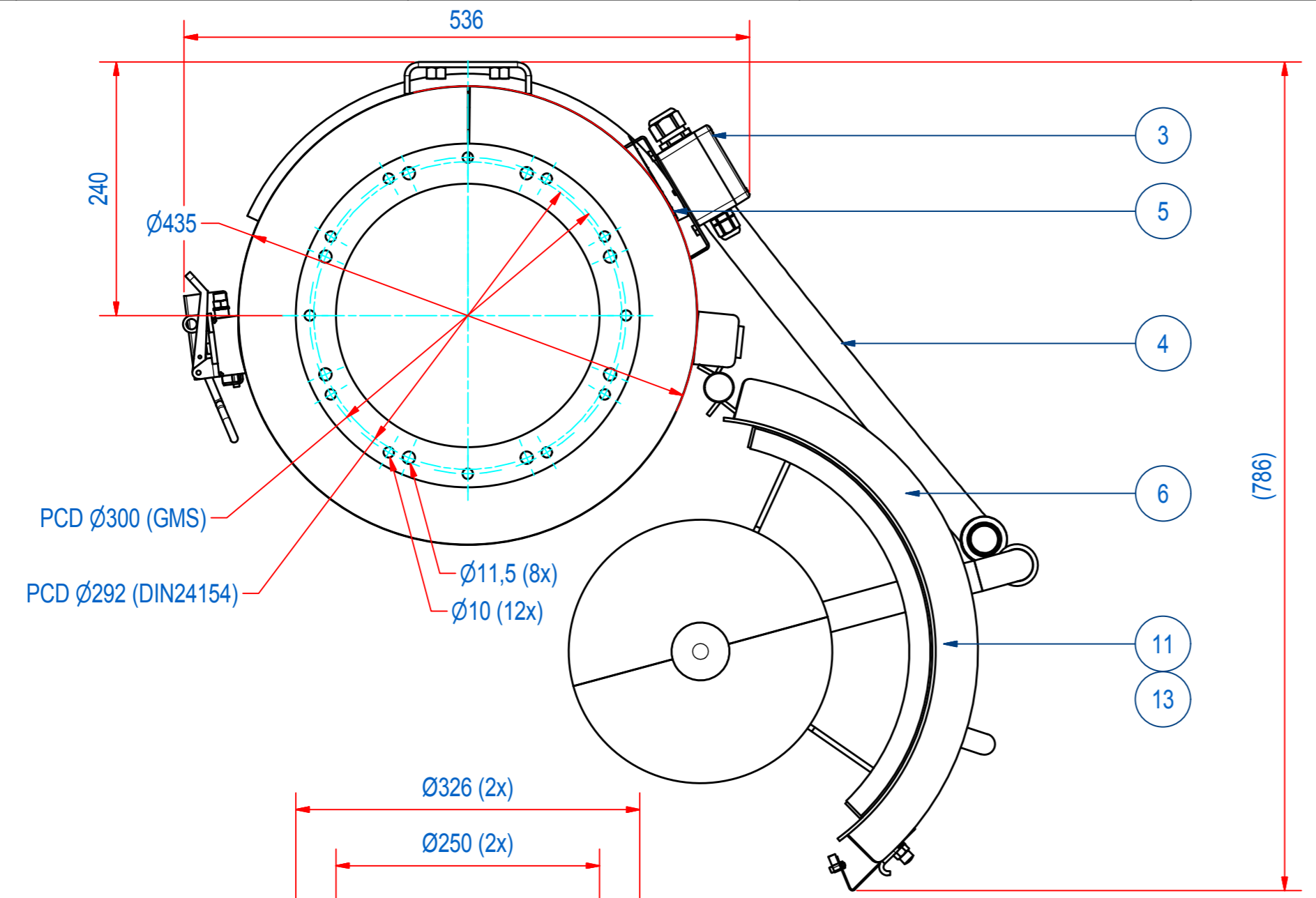


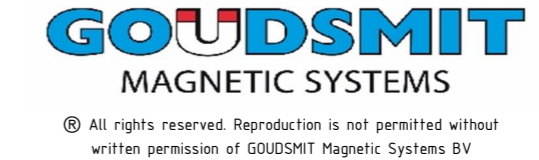
REV	DATE	BY	DESCRIPTION
-	6-1-2014	AvD	ORIGINAL DRAWING



ITEM	QTY	PART NUMBER	DESCRIPTION	Dimensions
13	7	70.0200010	WASHER M 10- A2	M 10
12	2	60.0200003	NUT, HEX M3 - A2	M3
11	4	51.0210020	SCREW, HEX SH M10 x 20 - A2	M10 x 20
10	4	51.0203012	SCREW, HEX SH M3 x 12 - A2	M3 x 12
9	3	50.1210020	BOLT, HEX M10x20 - A2	M10x20
8	1	EITA042001	COD. MAGN. SWITCH XCS 5MTR TM	
7	1	E0011344	MAGN SWITCH COVER	
6	1	E0011316	NAME PLATE 220x80	
5	1	S110215	SPEX MARKING	
4	1	A110077	CONDUIT EM3-8 Ex	
3	1	SCBTP00003	TERMINAL BOX EM3-8	
2	1	SPEK005063	SPA-3-CORE-60	
1	1	SPME002063	HOUSING EM3 70° Ø250	

RAW MAT.	QTY	MAT. NUMBER	MAT. DESCRIPTION	LENGTH (mm)	WIDTH (mm)
1	1				

Sheet: A2	Extra info:	General tolerance: ISO 2768 - mK
Drawn: CR	Weight (kg): 143,611	Drawn according: ISO268; ISO1101; ISO2553
Date: 2-12-2013		Status: Standard
Spare part: False		Customer reference number:
Quick search: EM3		File number: SPEB000063
Description: SPA-3-B-TC-FO-ST-NA-D-B		Part number: SPEB000063



© All rights reserved. Reproduction is not permitted without written permission of GOUDSMIT Magnetic Systems BV