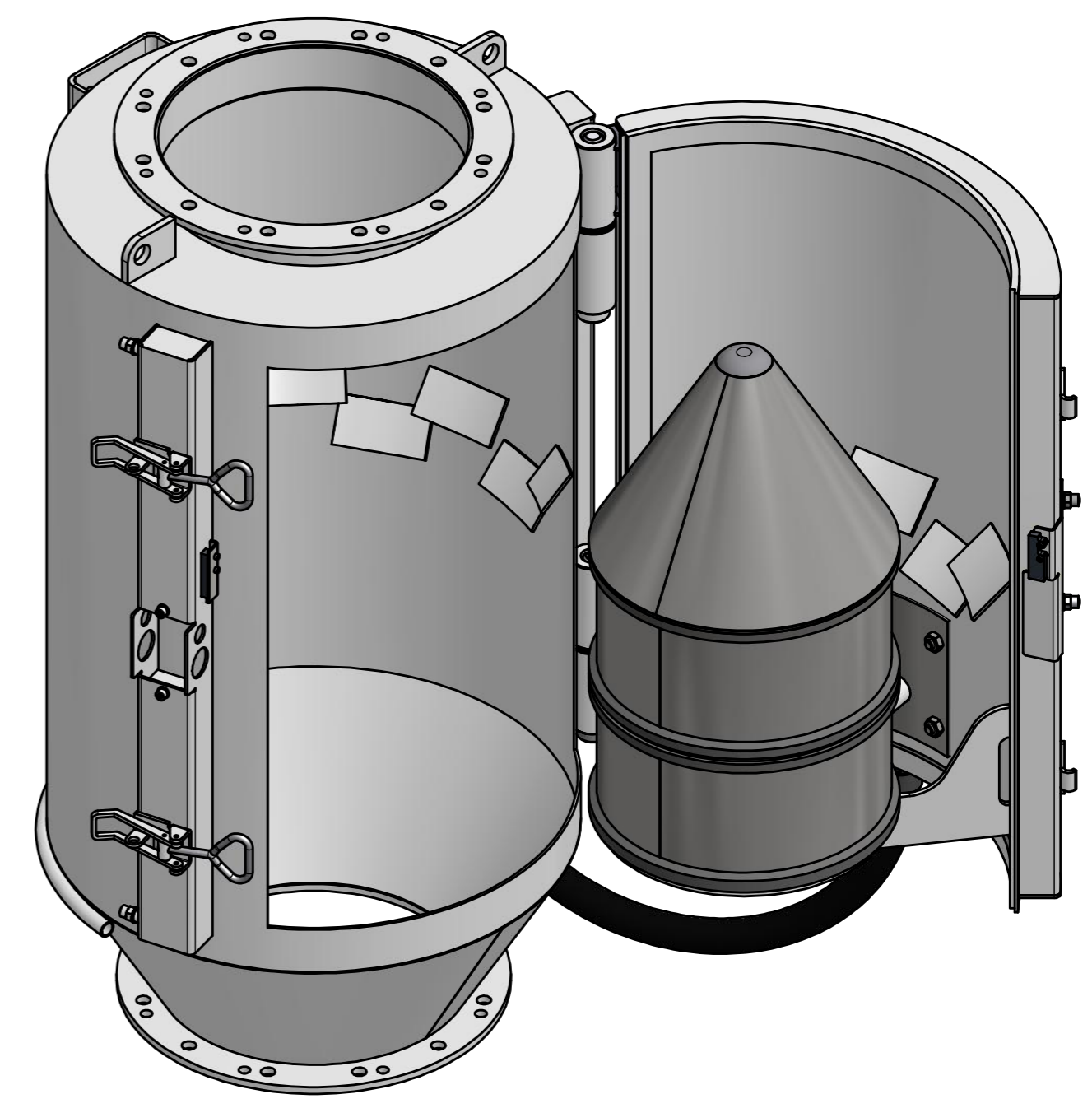
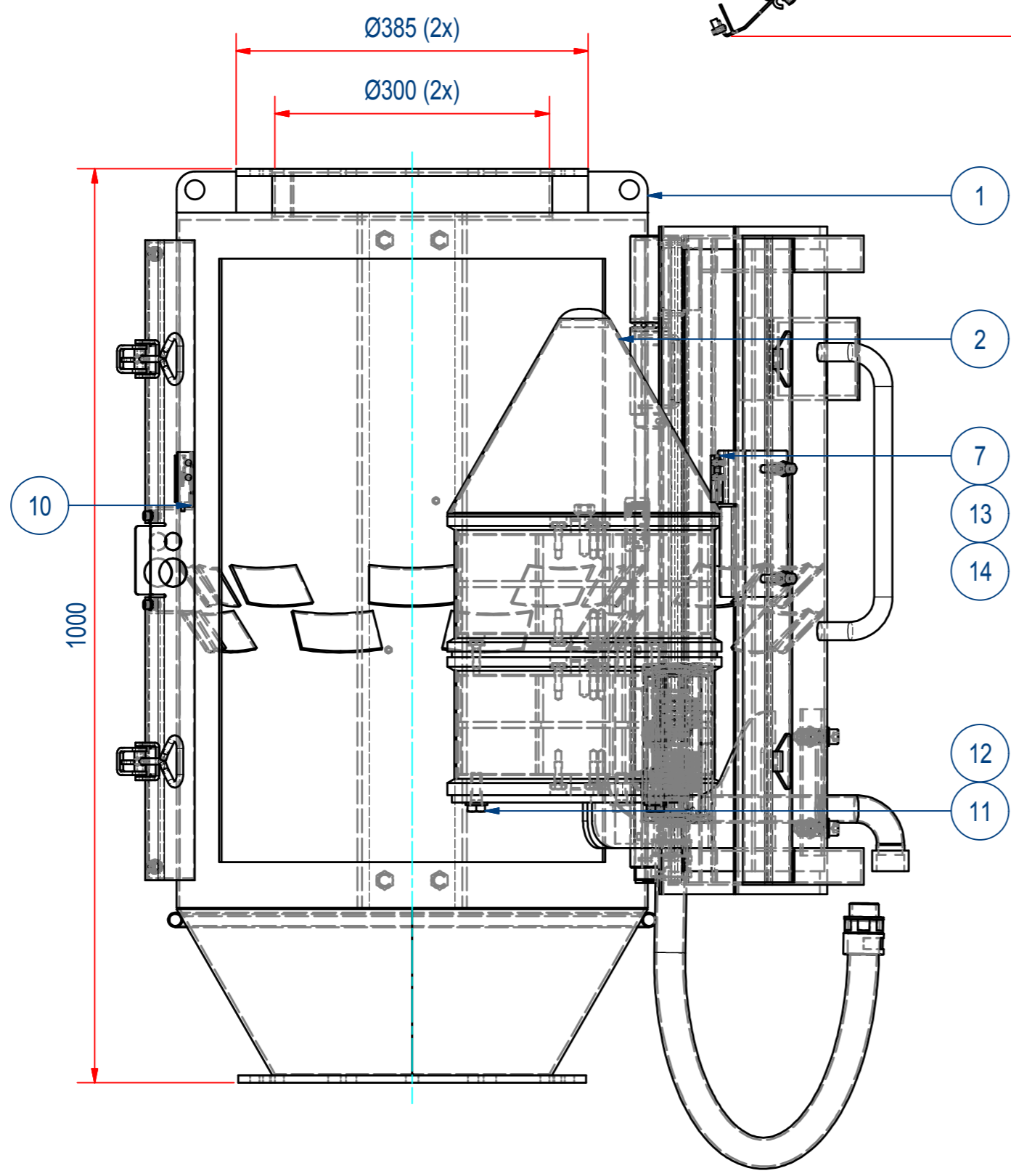
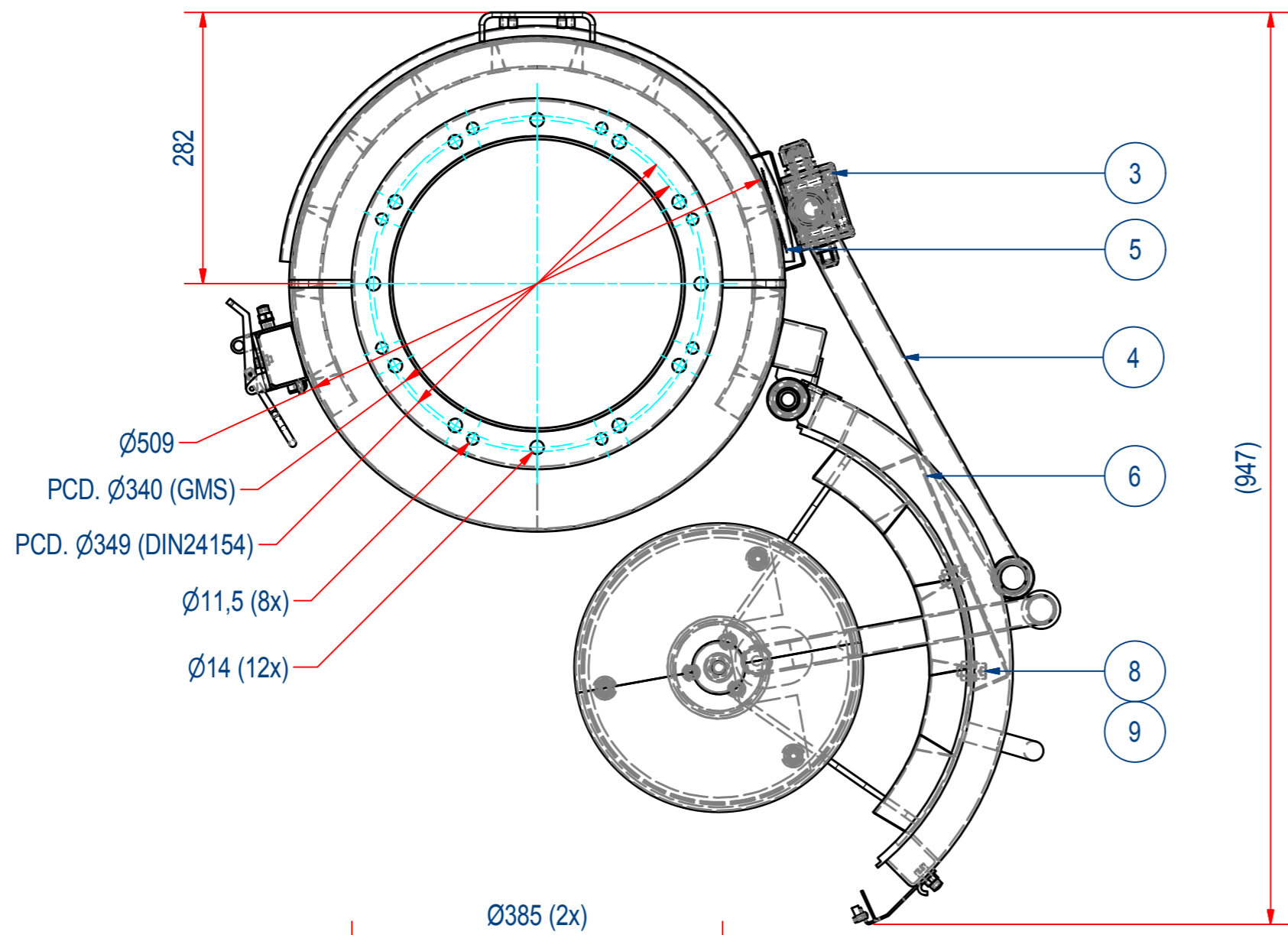


REV	DATE	BY	DESCRIPTION
-	3-6-2014	CR	ORIGINAL DRAWING



ITEM	QTY	PART NUMBER	DESCRIPTION	Dimensions
14	4	51.0203012	SCREW, HEX SH M3 x 12 - A2	M3 x 12
13	2	60.0200003	NUT, HEX M3 - A2	M3
12	3	70.0200012	WASHER M 12- A2	M 12
11	3	50.1212035	BOLT, HEX M12x35 - A2	M12x35
10	1	E0011344	MAGN SWITCH COVER	
9	4	70.0200010	WASHER M 10- A2	M 10
8	4	51.0210020	SCREW, HEX SH M10 x 20 - A2	M10 x 20
7	1	EITA042001	COD. MAGN. SWITCH XCS 5MTR TM	
6	1	E0011316	NAME PLATE 220x80	
5	1	S110215	SPEX MARKING	
4	1	A110077	CONDUIT EM3-8 Ex	
3	1	SCBTP00003	TERMINAL BOX EM3-8	
2	1	SPEK005064	SPA-4-CORE-60	
1	1	SPME002064	HOUSING EM4 60° Ø300	

RAW MAT.	QTY	MAT. NUMBER	MAT. DESCRIPTION	LENGTH (mm)	WIDTH (mm)
1	1				

Sheet: A2	Extra info:	General tolerance: ISO 2768 - mK
Drawn: CR	Weight (kg): 178,2	Drawn according: ISO268; ISO1101; ISO2553
Date: 2-12-2013		Status: Standard
Spare part: False		Customer reference number:
Quick search: EM4	GOUDSMIT MAGNETIC SYSTEMS	File number: SPEB000064
Description: SPA-4-B-FI-FO-ST-NA-D-B	© All rights reserved. Reproduction is not permitted without written permission of GOUDSMIT Magnetic Systems BV	Part number: SPEB000064