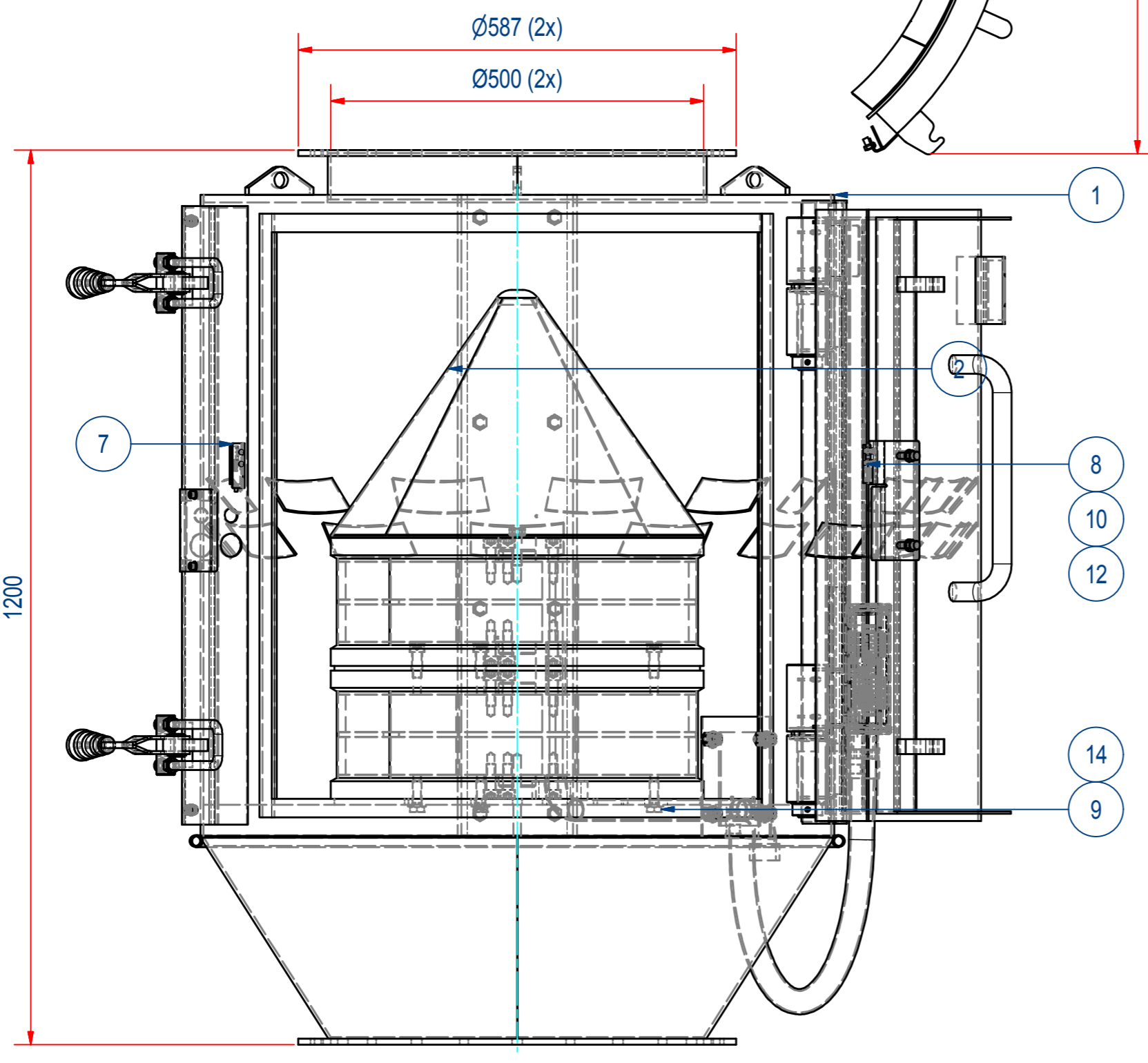
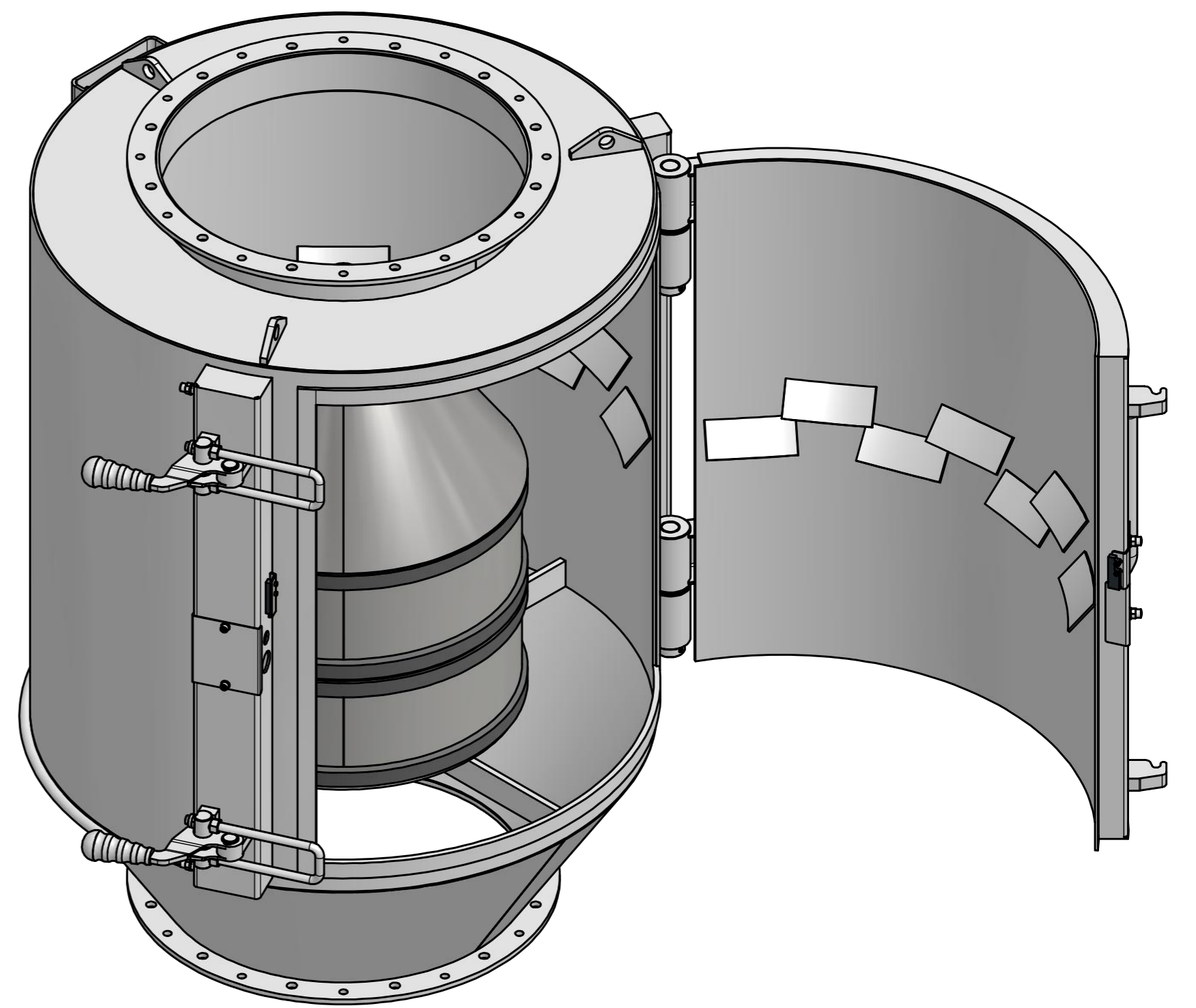
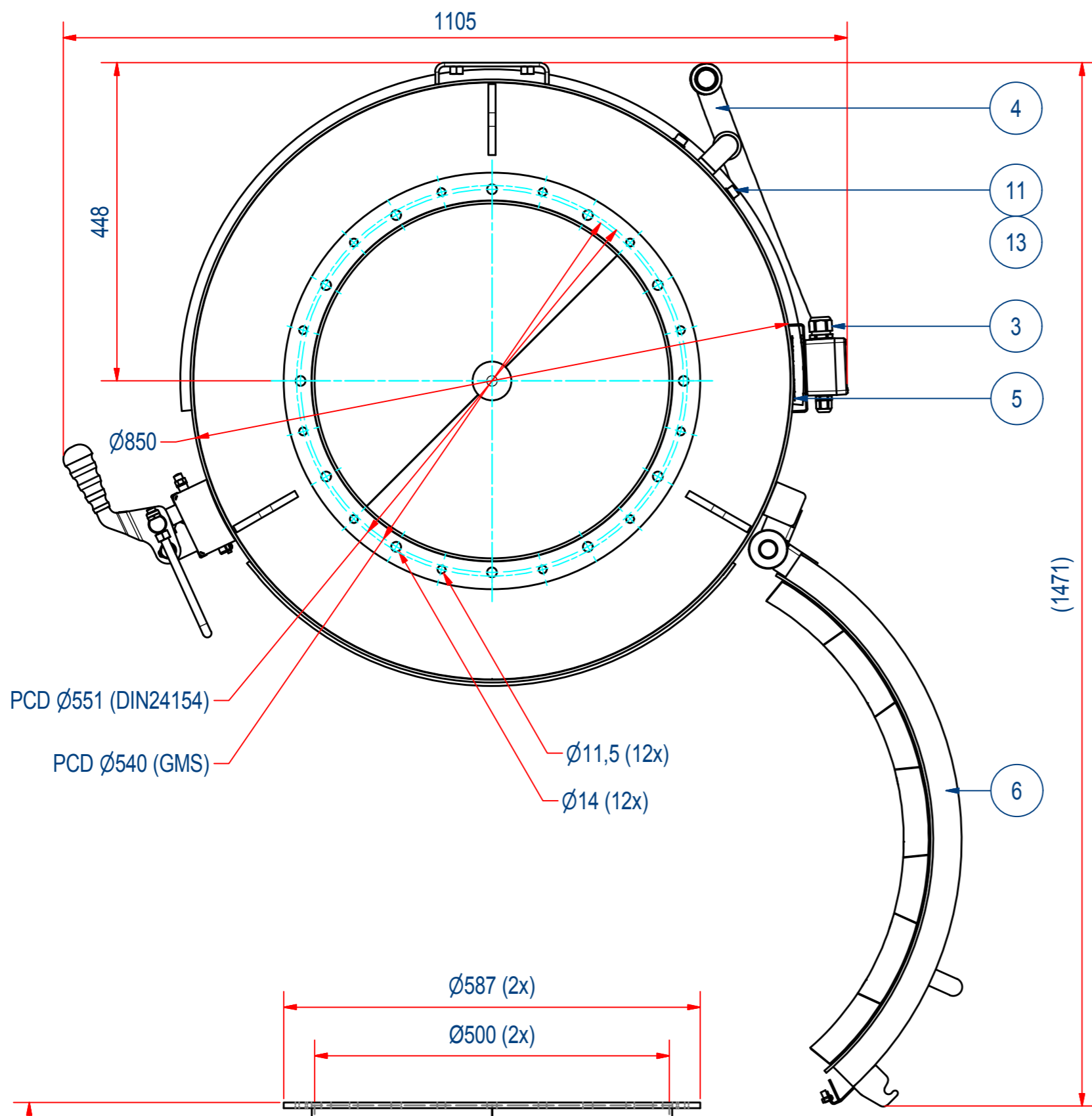


REV	DATE	BY	DESCRIPTION
-	7-1-2014	AvD	ORIGINAL DRAWING



ITEM	QTY	PART NUMBER	DESCRIPTION	Dimensions
14	3	70.0200012	WASHER M 12- A2	M 12
13	4	70.0200010	WASHER M 10- A2	M 10
12	2	60.0200003	NUT, HEX M3 - A2	M3
11	4	51.0210020	SCREW, HEX SH M10 x 20 - A2	M10 x 20
10	4	51.0203012	SCREW, HEX SH M3 x 12 - A2	M3 x 12
9	3	50.1212035	BOLT, HEX M12x35 - A2	M12x35
8	1	EITA042001	COD. MAGN. SWITCH XCS 5MTR TM	
7	1	E0011344	MAGN SWITCH COVER	
6	1	E0011316	NAME PLATE 220x80	
5	1	S110215	SPEX MARKING	
4	1	A110077	CONDUIT EM3-8 Ex	
3	1	SCBTP00003	TERMINAL BOX EM3-8	
2	1	SPEK005066	SPA-6-CORE-60	
1	1	SPME002066	HOUSING EM6 65° Ø500	

RAW MAT.	QTY	MAT. NUMBER	MAT. DESCRIPTION	LENGTH (mm)	WIDTH (mm)
1	1				

Sheet: <b>A2</b> Drawn: <b>CR</b> Date: <b>3-12-2013</b> Spare part: <b>False</b> Quick search: <b>EM6</b>	Extra info: Weight (kg): <b>353,6</b> <b>GOUDSMIT</b> MAGNETIC SYSTEMS <small>© All rights reserved. Reproduction is not permitted without written permission of GOUDSMIT Magnetic Systems BV</small>	General tolerance: <b>ISO 2768 - mK</b> Drawn according: <b>ISO268; ISO1101; ISO2553</b> Status: <b>Standard</b> Customer reference number: File number: <b>SPEB000066</b> Part number: <b>SPEB000066</b>
--	---	--

Description: **SPA-6-B-FI-FO-ST-NA-D-B**