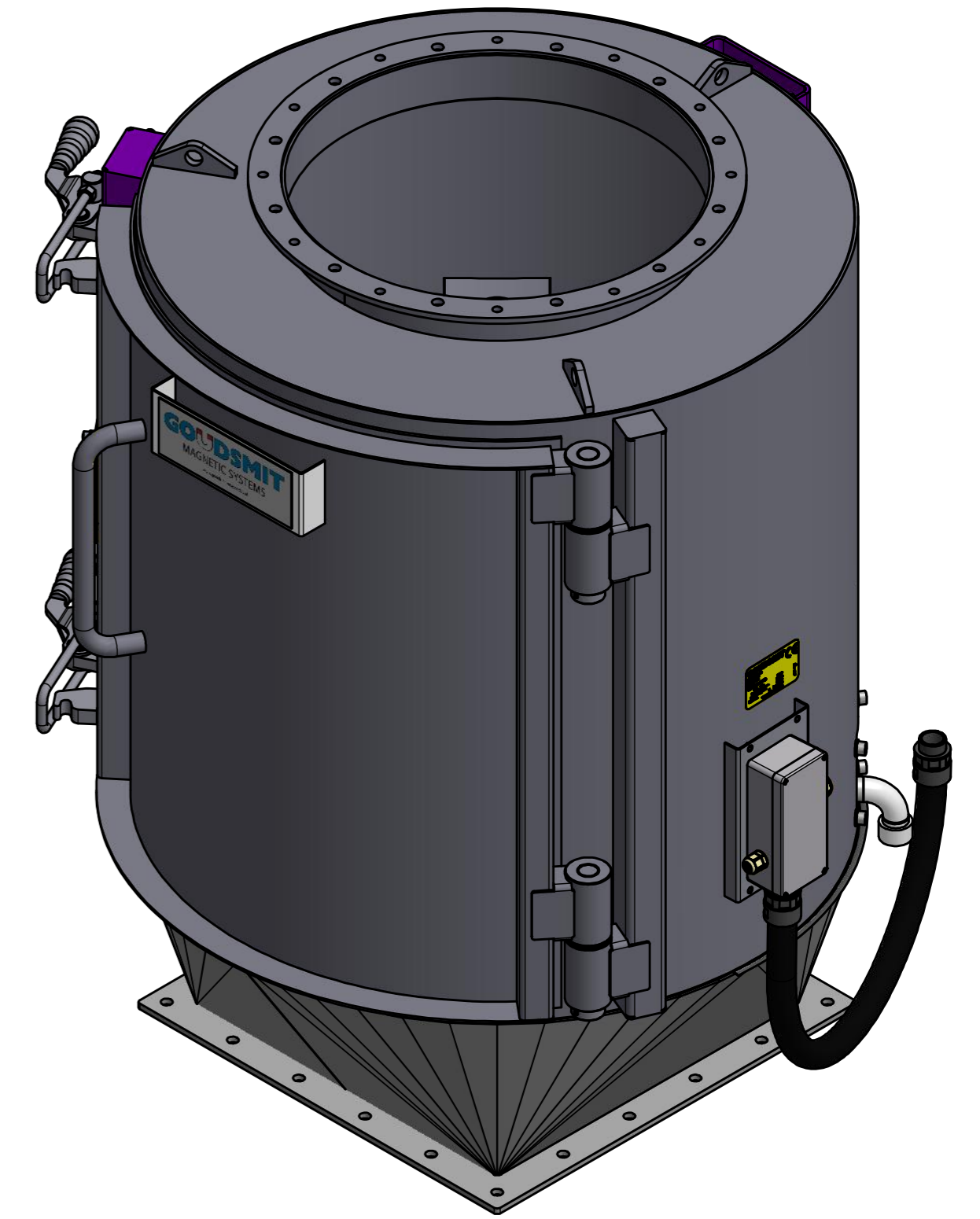


REV	DATE	BY	DESCRIPTION
A	26-8-2013	CR	NOTHING CHANGED
B	7-1-2014	AvD	NAME PLATE AND PLATE ON SENSOR ADDED
C	9-4-2014	CR	NOTHING CHANGED



ITEM	QTY	PART NUMBER	DESCRIPTION	Dimensions
14	3	70.0200012	WASHER M 12- A2	M 12
13	4	70.0200010	WASHER M 10- A2	M 10
12	2	60.0200003	NUT, HEX M3 - A2	M3
11	4	51.0210020	SCREW, HEX SH M10 x 20 - A2	M10 x 20
10	4	51.0203012	SCREW, HEX SH M3 x 12 - A2	M3 x 12
9	3	50.1212035	BOLT, HEX M12x35 - A2	M12x35
8	1	EITA042001	COD. MAGN. SWITCH XCS 5MTR TM	
7	1	E0011344	MAGN SWITCH COVER	
6	1	E0011316	NAME PLATE 220x80	
5	1	S110215	SPEX MARKING	
4	1	A110077	CONDUIT EM3-8 Ex	
3	1	SCBTP00003	TERMINAL BOX EM3-8	
2	1	SPEK005066	SPA-6-CORE-60	
1	1	SPME001066	HOUSE EM6 70° IN-OUTLET Ø500-V500	

RAW MAT.	QTY	MAT. NUMBER	MAT. DESCRIPTION	LENGTH (mm)	WIDTH (mm)
⊕	1				

Sheet: <b>A2</b>	Extra info:	General tolerance: <b>ISO 2768 - mK</b>
Drawn: <b>CR</b>	Weight (kg): <b>509,698</b>	Drawn according: <b>ISO268; ISO1101; ISO2553</b>
Date: <b>20-6-2013</b>		Status: <b>Standard</b>
Spare part: <b>False</b>		Customer reference number:
Quick search: <b>EM6</b>	 <small>© All rights reserved. Reproduction is not permitted without written permission of GOUDSMIT Magnetic Systems BV</small>	File number: <b>SPEE000066</b> Rev: <b>C</b>
Description: <b>SPA-6-B-FI-OS-ST-NA-D-B</b>		Part number: <b>SPEE000066</b> Rev: <b>C</b>