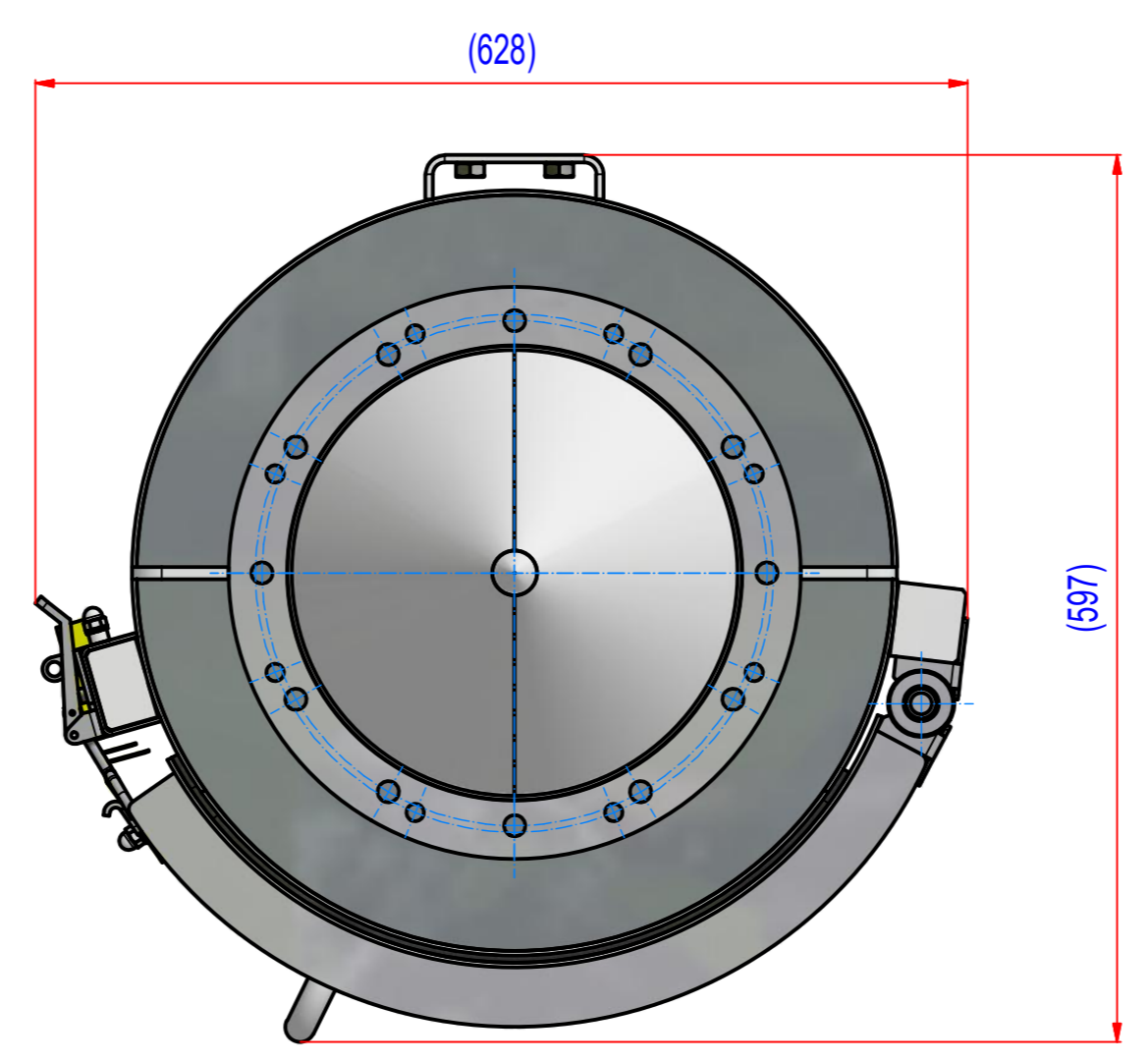
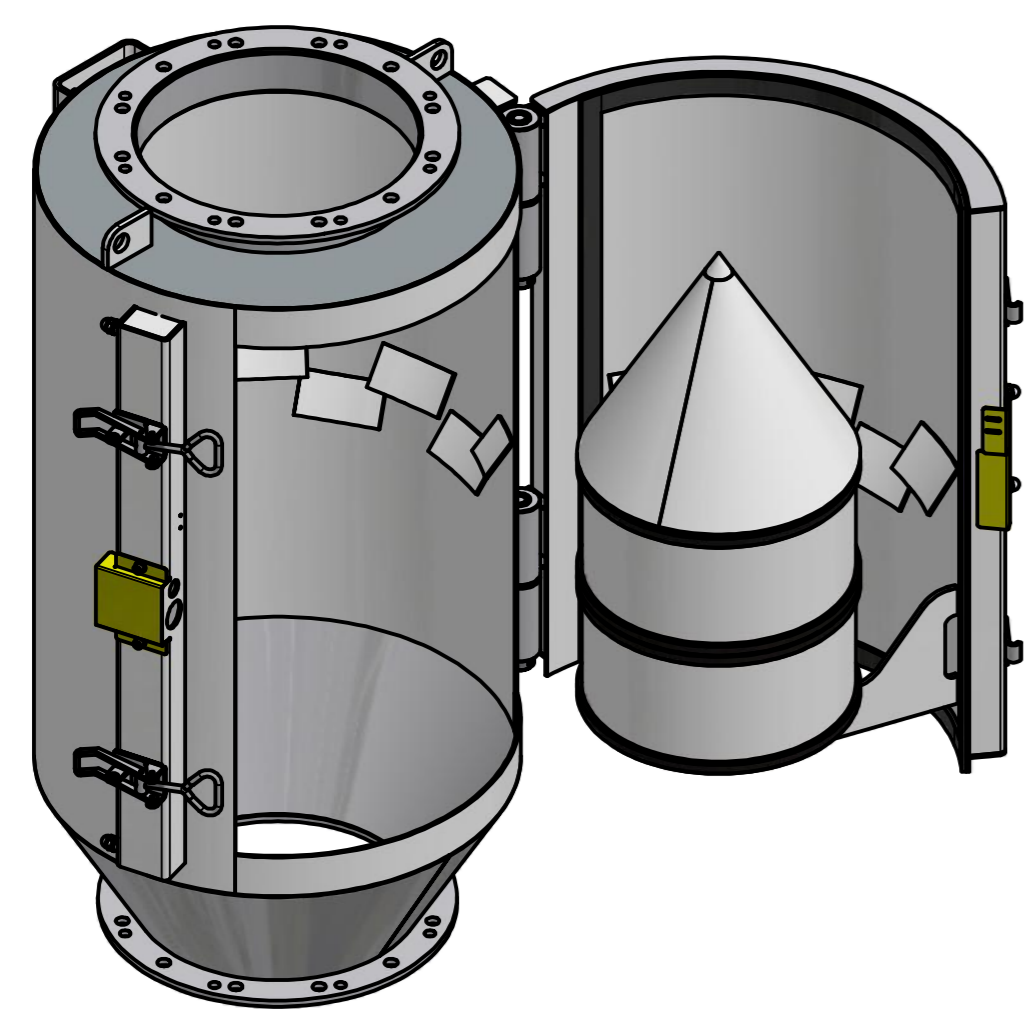
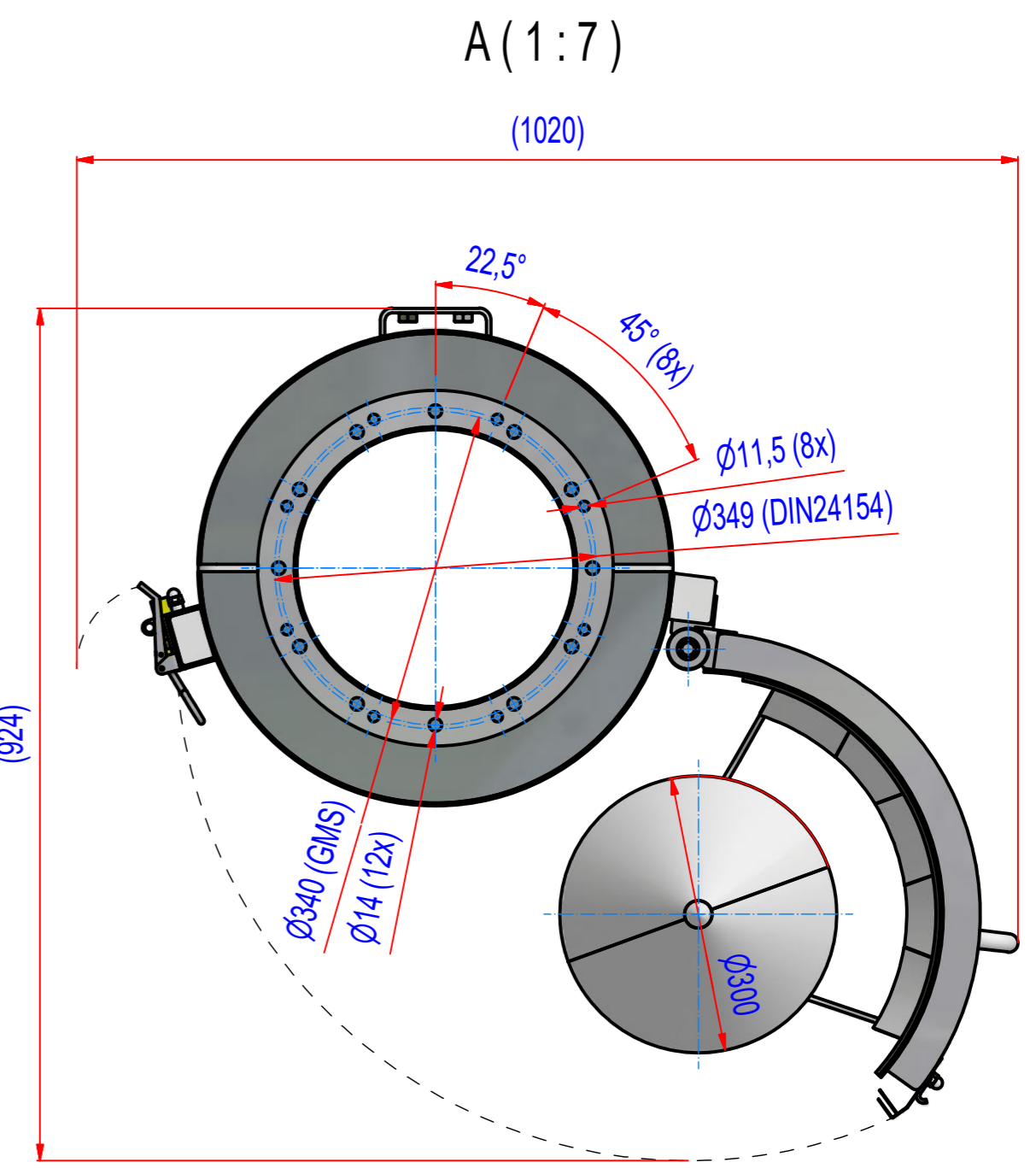
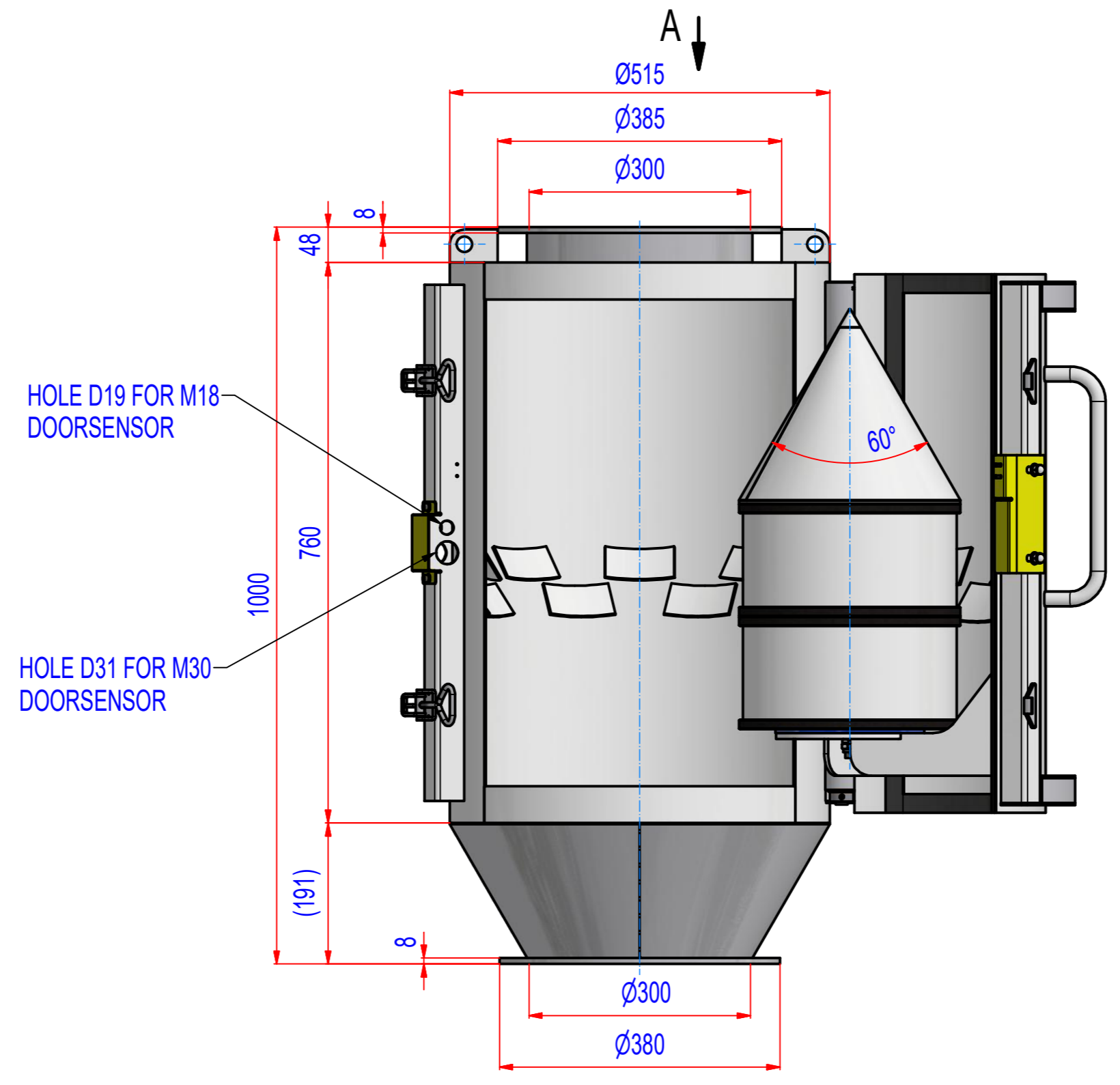
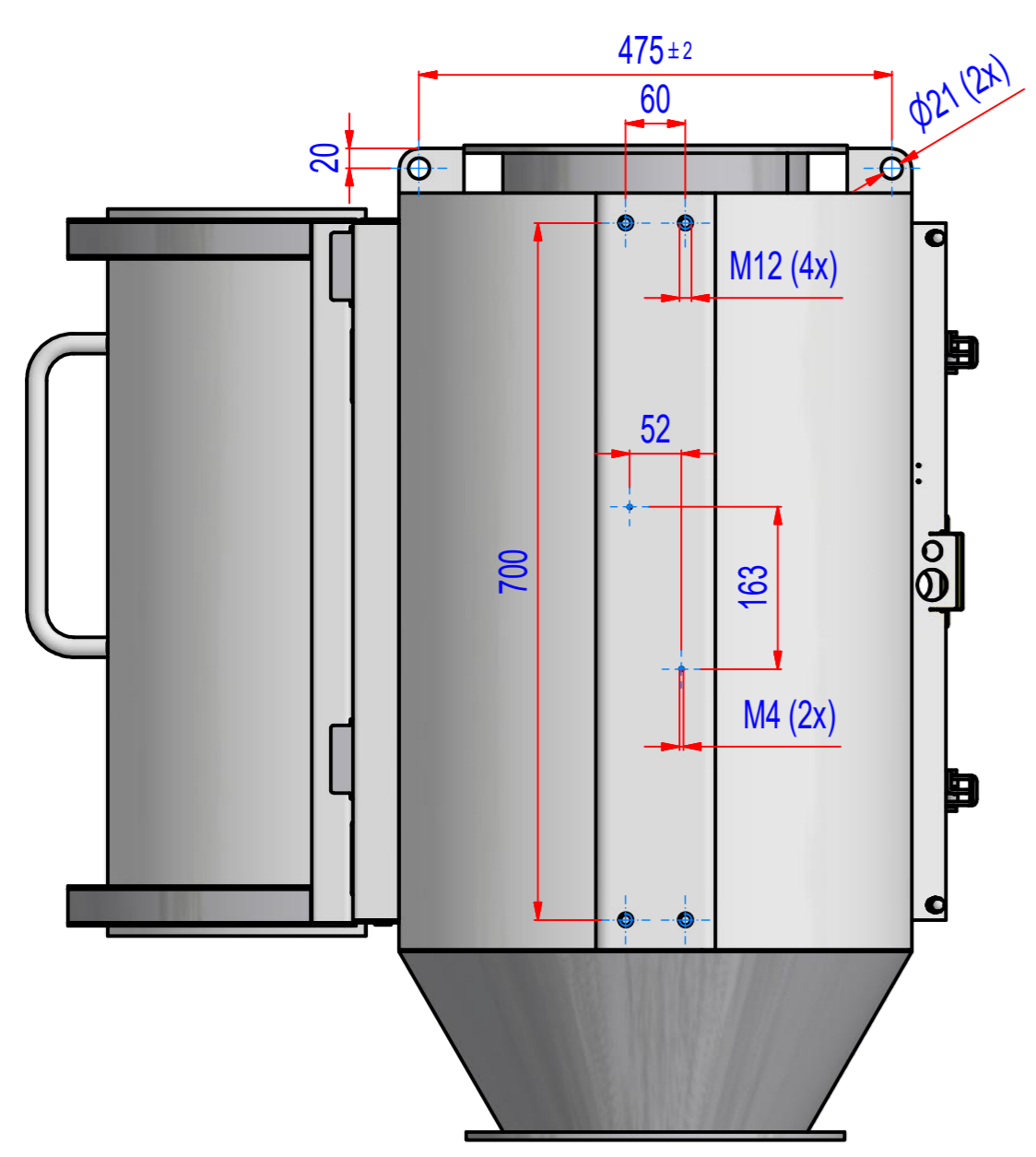


REV	BY	DATE	DESCRIPTION
-	PW	21.03.2017	New Vault, nothing changed, old rev.



1	A094_000000	SPPE000064	186,9
POZ./POS.	Č. SOUČÁSTI/ PART NUMBER	POPIS / DESCRIPTION	HMOT./ WEIGHT
Sheet: A2	Weight (kg): 189	Extra info:	General tolerance: ISO 2768 - cL
Drawn: PW	Date: 21.03.2017	<p>© All rights reserved. Reproduction is not permitted without written permission of GOUDSMIT Magnetic Systems BV</p>	Drawn according: ISO268; ISO1101; ISO2553
Predecessor:	Quick search: XSPP 4		Status:
Description: Pipe magnet, Ferrite, PM4, type E		Customer reference number:	Product key: SPP-4-FI-FO-ST-B-BB
			Part number: SPPE000064