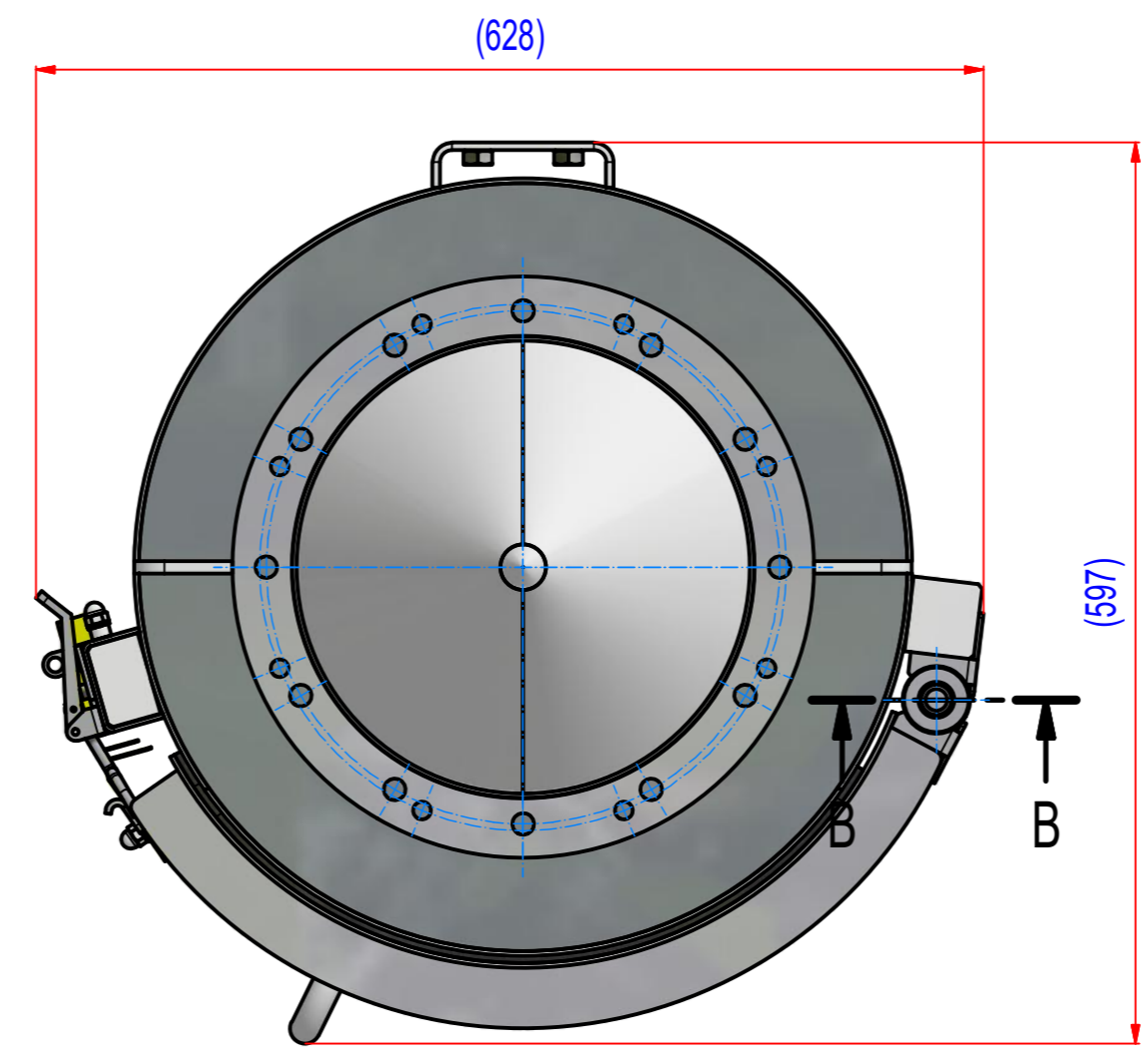
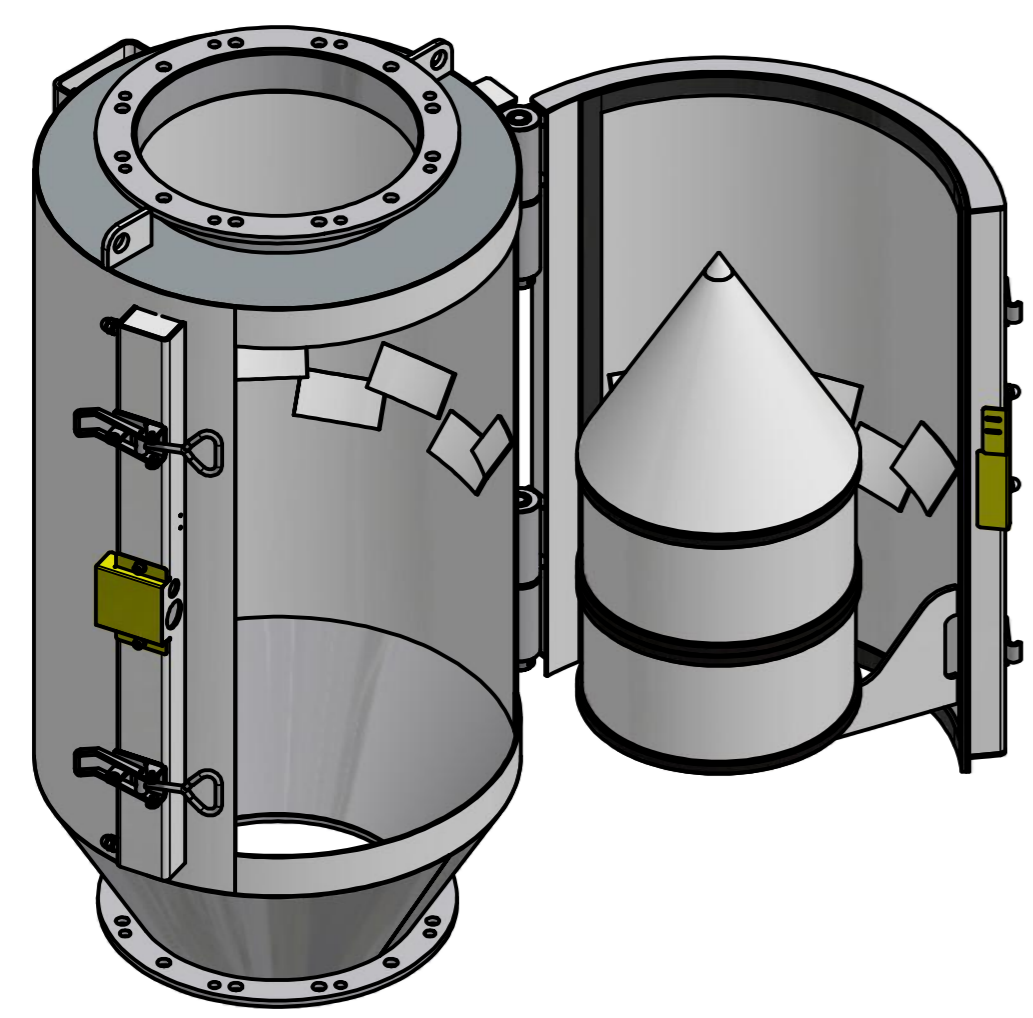
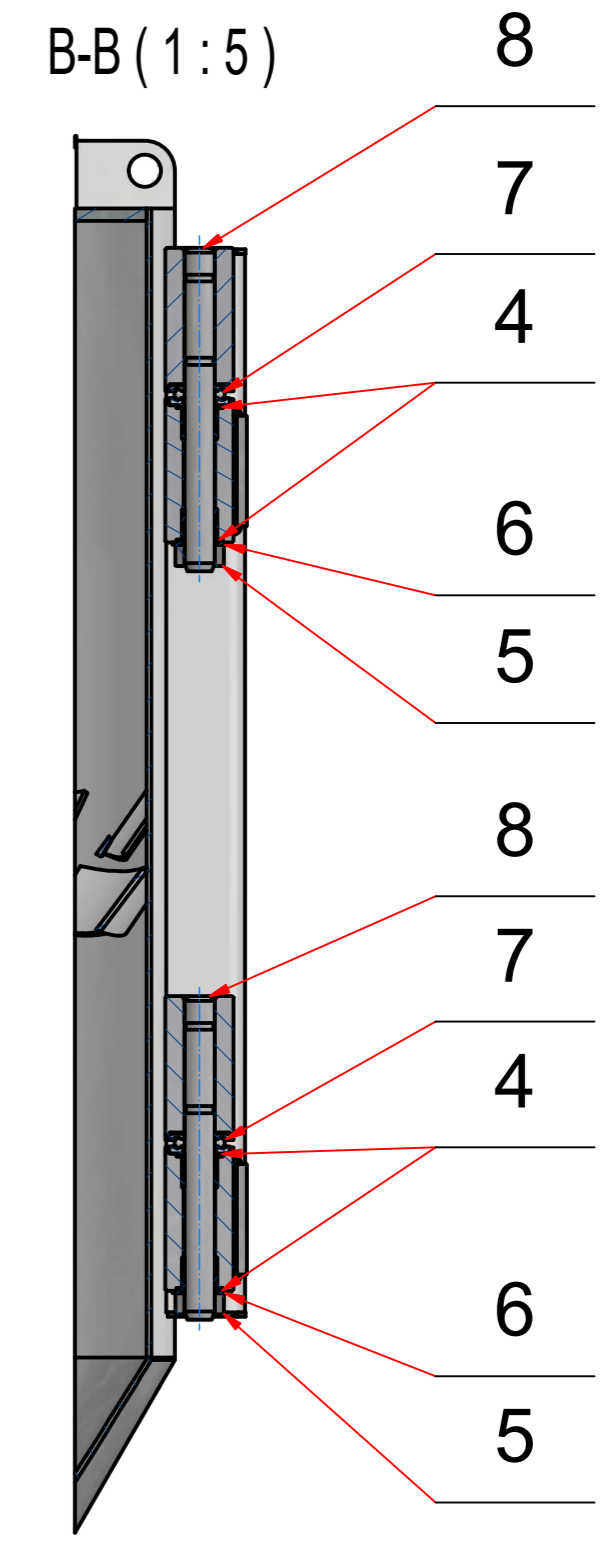
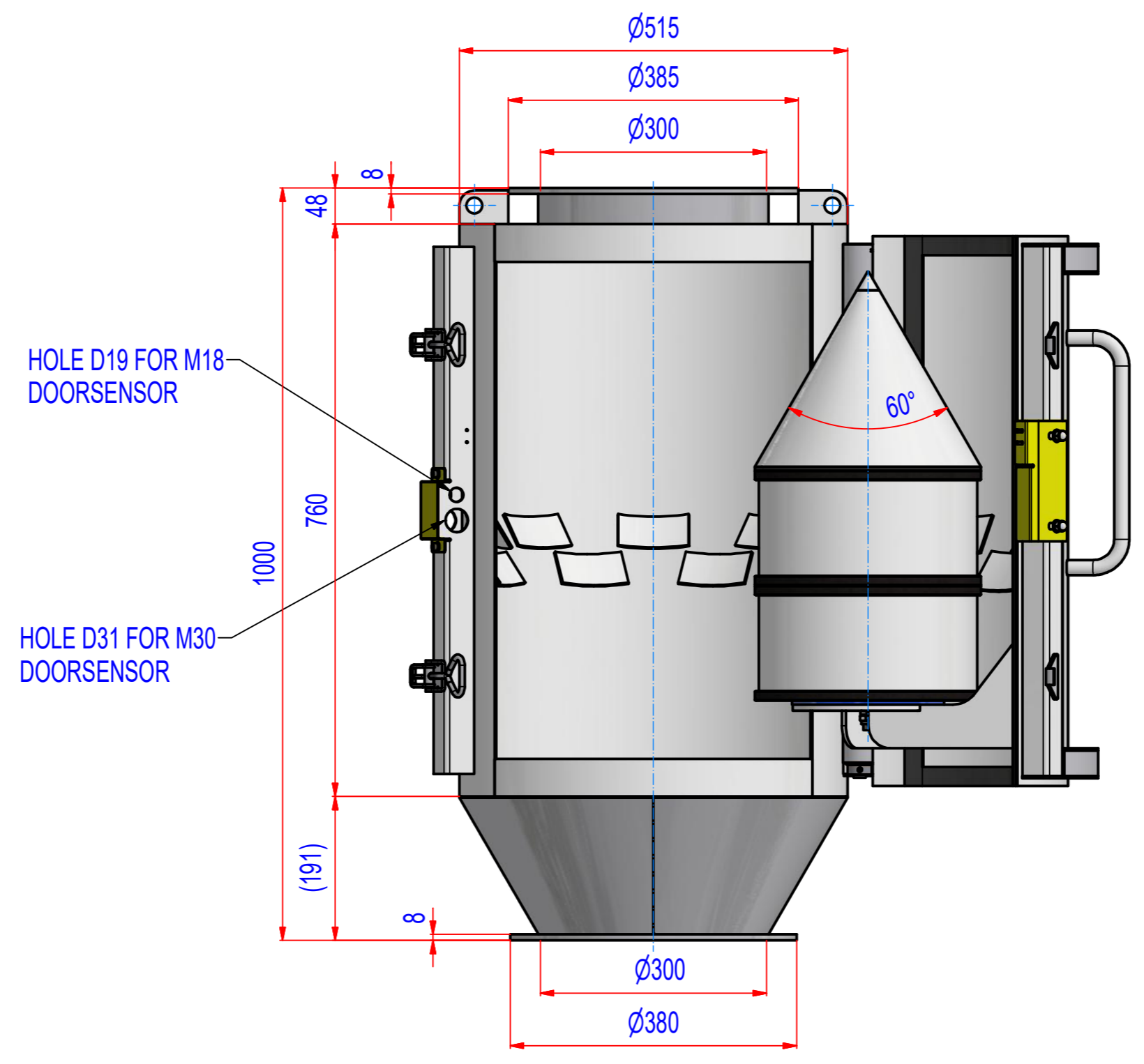
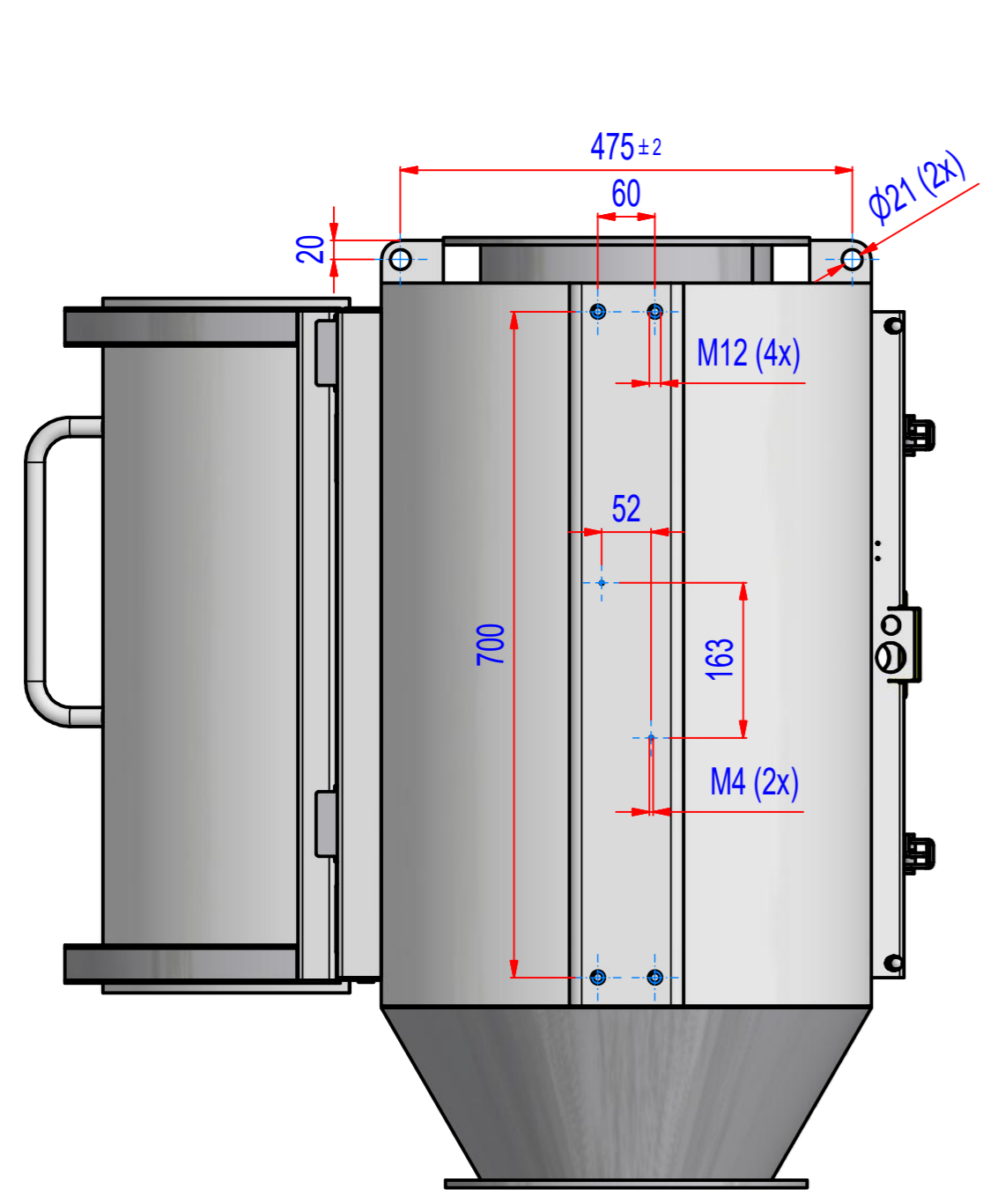


REV	BY	DATE	DESCRIPTION
-	PW	27.07.2018	New Vault, nothing changed, old rev.



11	A080_000001	Těsnění / Band PM4, 25x5, L=2,5m	Silikon	0,4	1
10	G35_020006_C	KONZOLA DOTYKU ČIDLA / Sensor plate	S235JR (11373)	0,1	1
9	G35_010202	Cover for sensor PM4	AISI304	0,1	1
8	G66_020001	Hinge pin PM5	S355 (11523)	0,5	2
7	15_1151204	Ložisko / Bearings 51204	Default	0	2
6	15_9000082	Trust Washer GTM-2036-015	Iglidur	0	2
5	70_6000020	Set collar 20x32x14	CS	0,1	2
4	15_9000058	Closed Linear plain Bearing GFM-2023-21	Plast S	0	4
3	A094_000001	Slide pad	BELTA F	0,1	1
2	D05_030100	Cone for PM4 60°	AISI304	4,6	1
1	G35_030000_B	Magnet core PM4		105	1
POZ.	Č. SOUČÁSTI	POPIS	MATERIÁL	HMOT.	MN.

Sheet: <b>A2</b> Drawn: <b>PW</b> Date: <b>27.07.2018</b> Predecessor:	Weight (kg): <b>189</b> Description: <b>Spare parts for SPPE000064</b>	Extra info:  © All rights reserved. Reproduction is not permitted without written permission of GOUDSMIT Magnetic Systems BV.	General tolerance: <b>ISO 2768 - cL</b> Drawn according: <b>ISO268; ISO1101; ISO2553</b> Status: Customer reference number: Product key: <b>SPP-4-FI-FO-ST-B-BB</b> Part number: <b>SPPE000064_SP</b> Rev: -
---	---	---	--