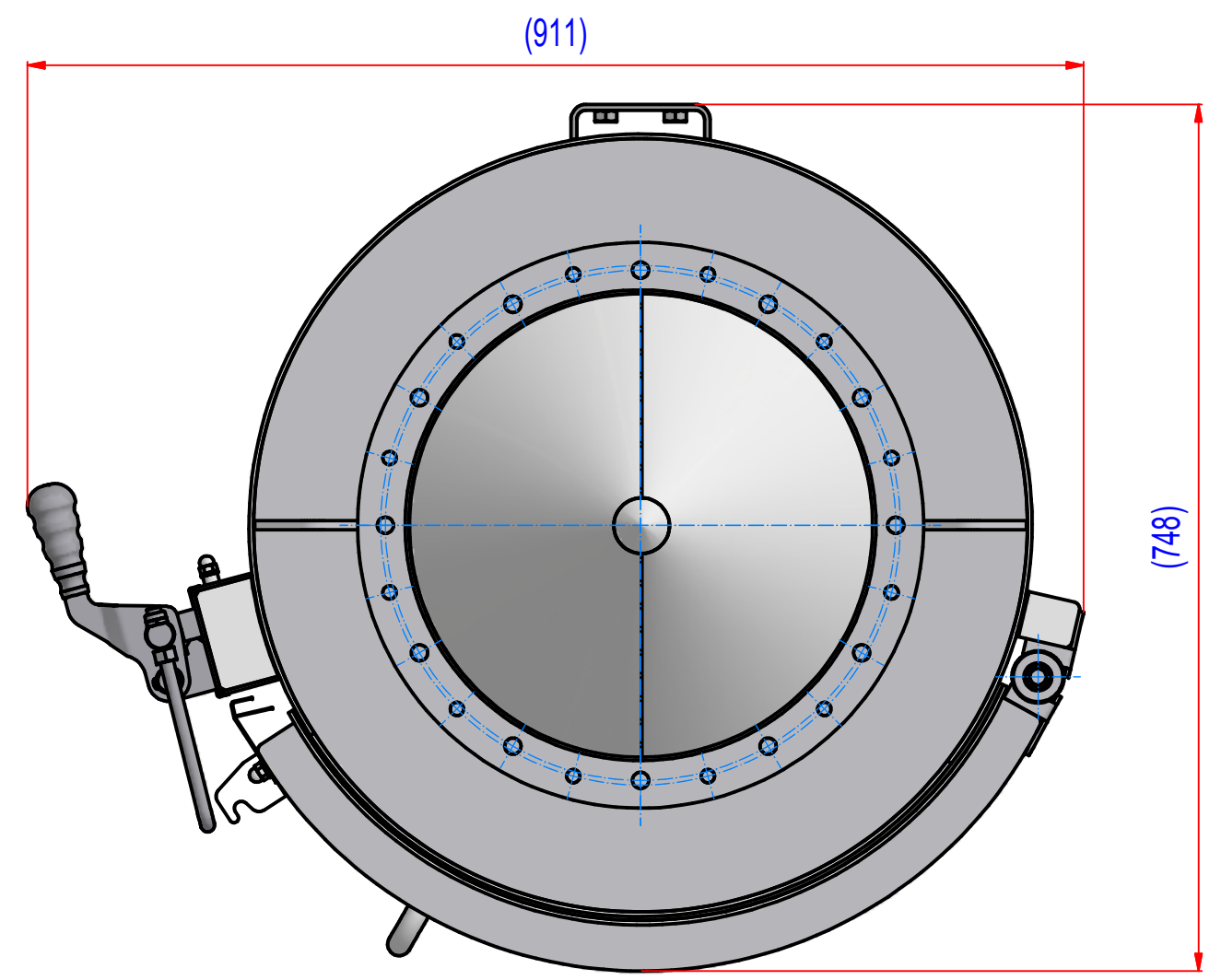
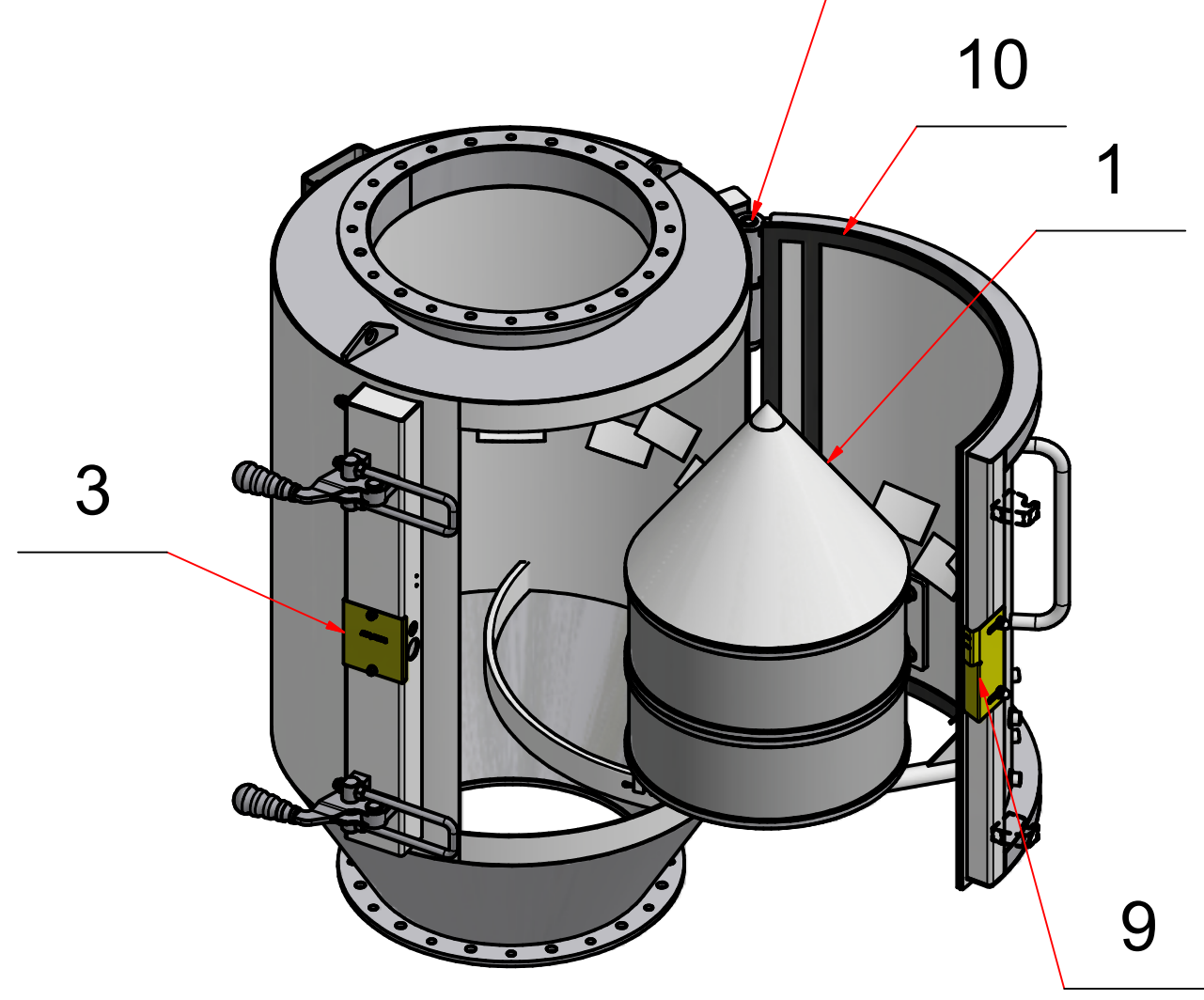
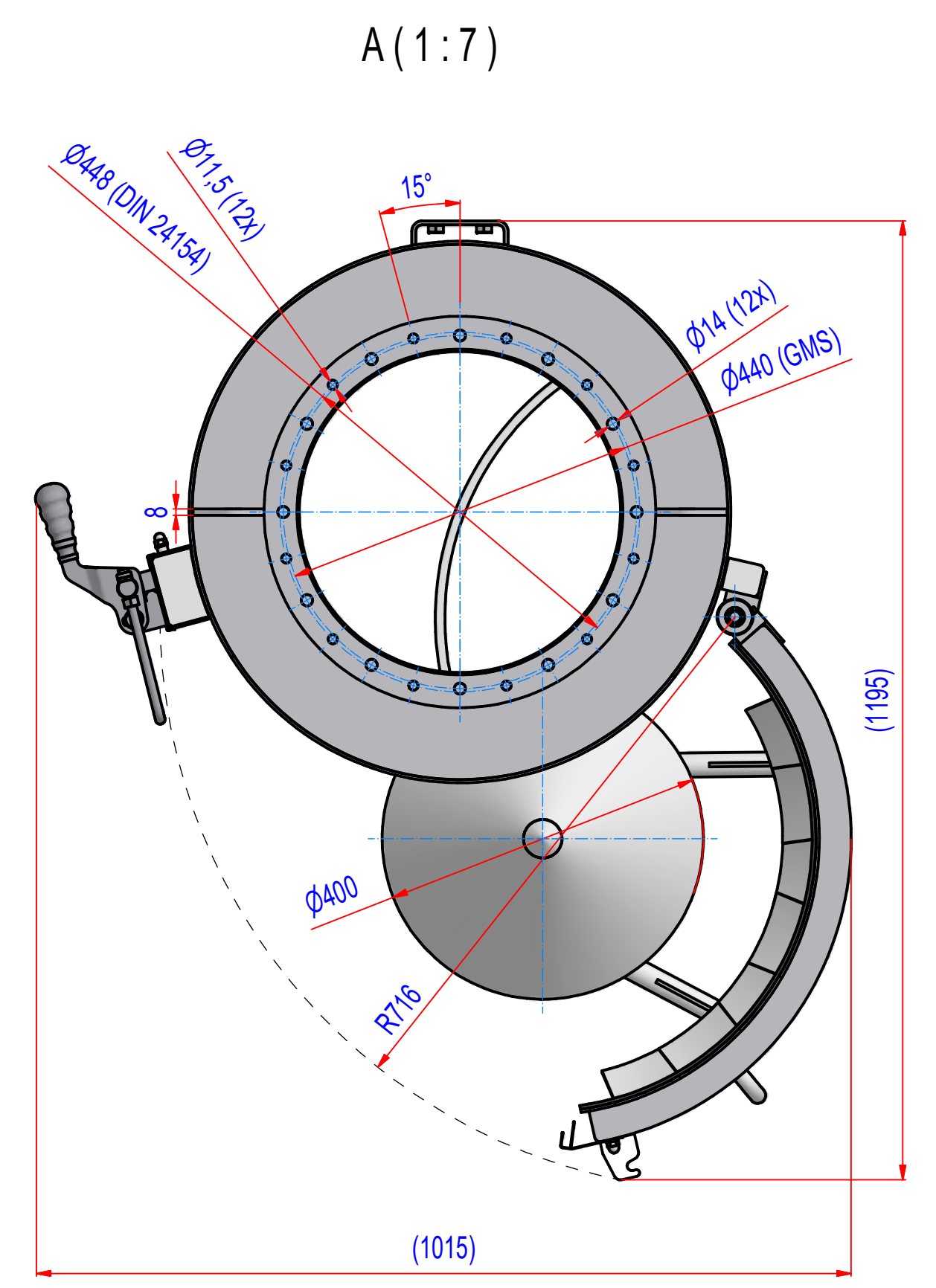
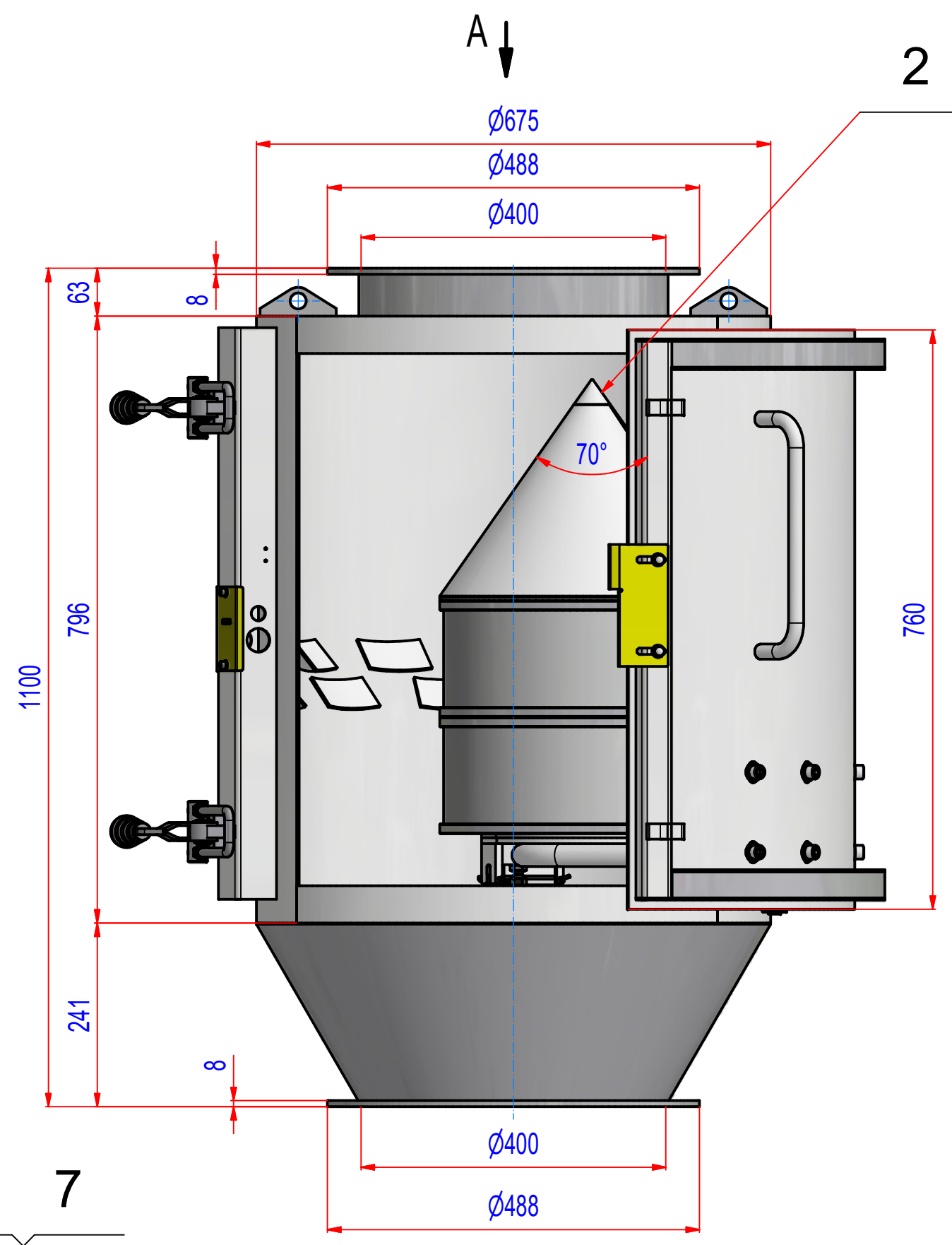
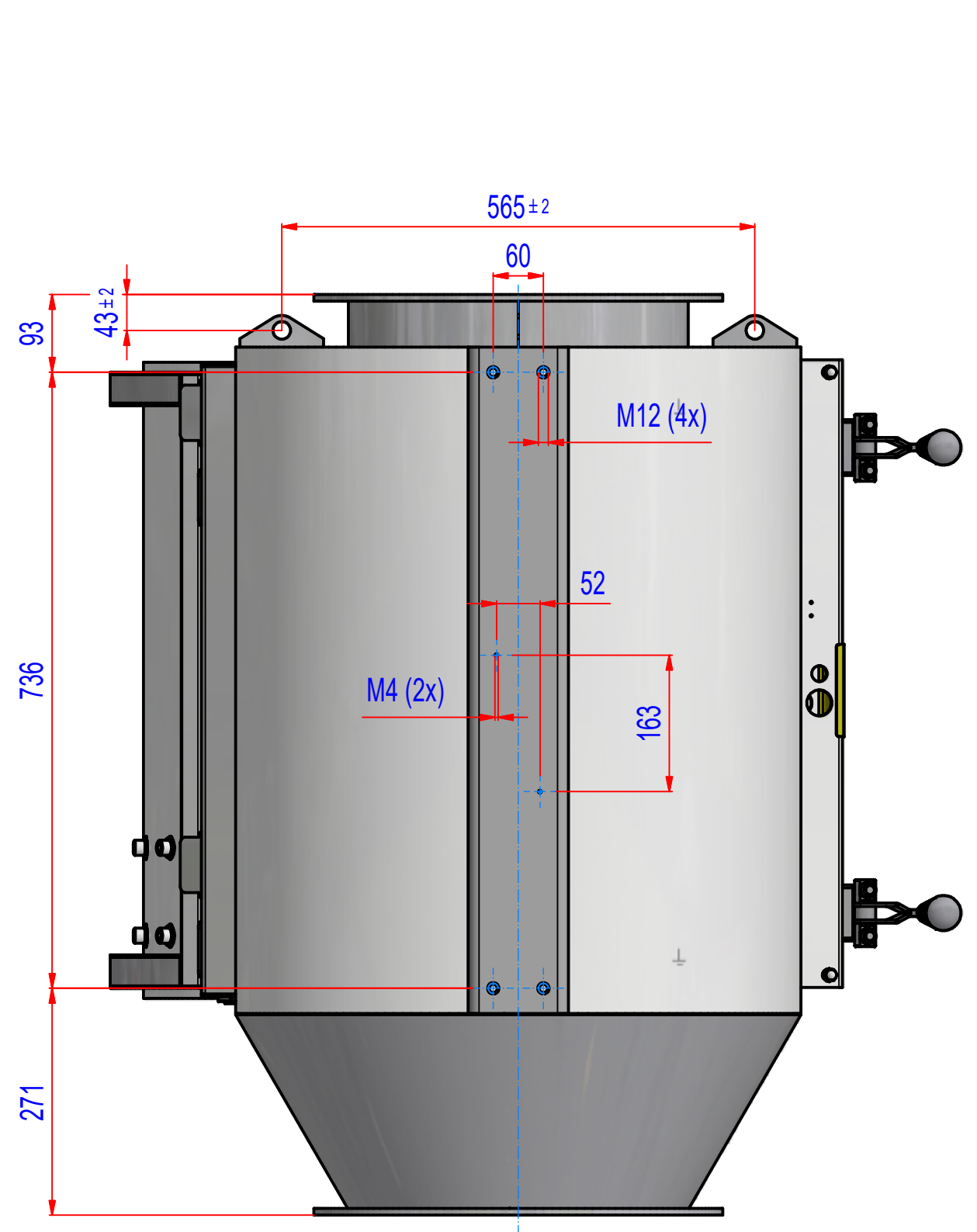


REV	BY	DATE	DESCRIPTION
-	PW	13.11.2017	ORIGINAL DRAWING



POZ.	Č. SOUČÁSTI	POPIS	MATERIÁL	HMOT. MN.
10	G05_000005	Band PM5, 25x5, L=3000	Silikon	0,6 1
9	G05_000004_C	Sensor plate	S235JR (11373)	0,1 1
8	G66_020001	Hinge pin PM5	S355 (11523)	0,5 2
7	15_1151204	Bearings 51204	Default	0 2
6	15_9000082	Sliding pad GTM-2036-015	Iglidur	0 2
5	70_6000020	Set colar 20x32x14	CS	0,1 2
4	15_9000058	Closed linear plain bearing GFM-2023-21	Plast S	0 4
3	A028_000001	Sensor cover for PM5/6/7	AISI304	0,1 1
2	G05_030300_B	Cone 70st	AISI304	9,5 1
1	G05_030000_C	Magnet PM5 70°		190 1

Sheet: A2 Drawn: PW Date: 13.11.2017 Predecessor: Quick search: XSPP 5 Description: Spare parts for SPPE000065	Extra info: © All rights reserved. Reproduction is not permitted without written permission of GOUDSMIT Magnetic Systems BV.	General tolerance: ISO 2768 - cL Drawn according: ISO268; ISO1101; ISO2553 Status: Customer reference number: Product key: SPP-5-FI-FO-ST-B-BB Part number: SPPE000065_SP Rev: -
-------------------------------------------------------------------------------------------------------------------------------	-------------------------------------------------------------------------------------------------------------------------------------	----------------------------------------------------------------------------------------------------------------------------------------------------------------------------------------------------