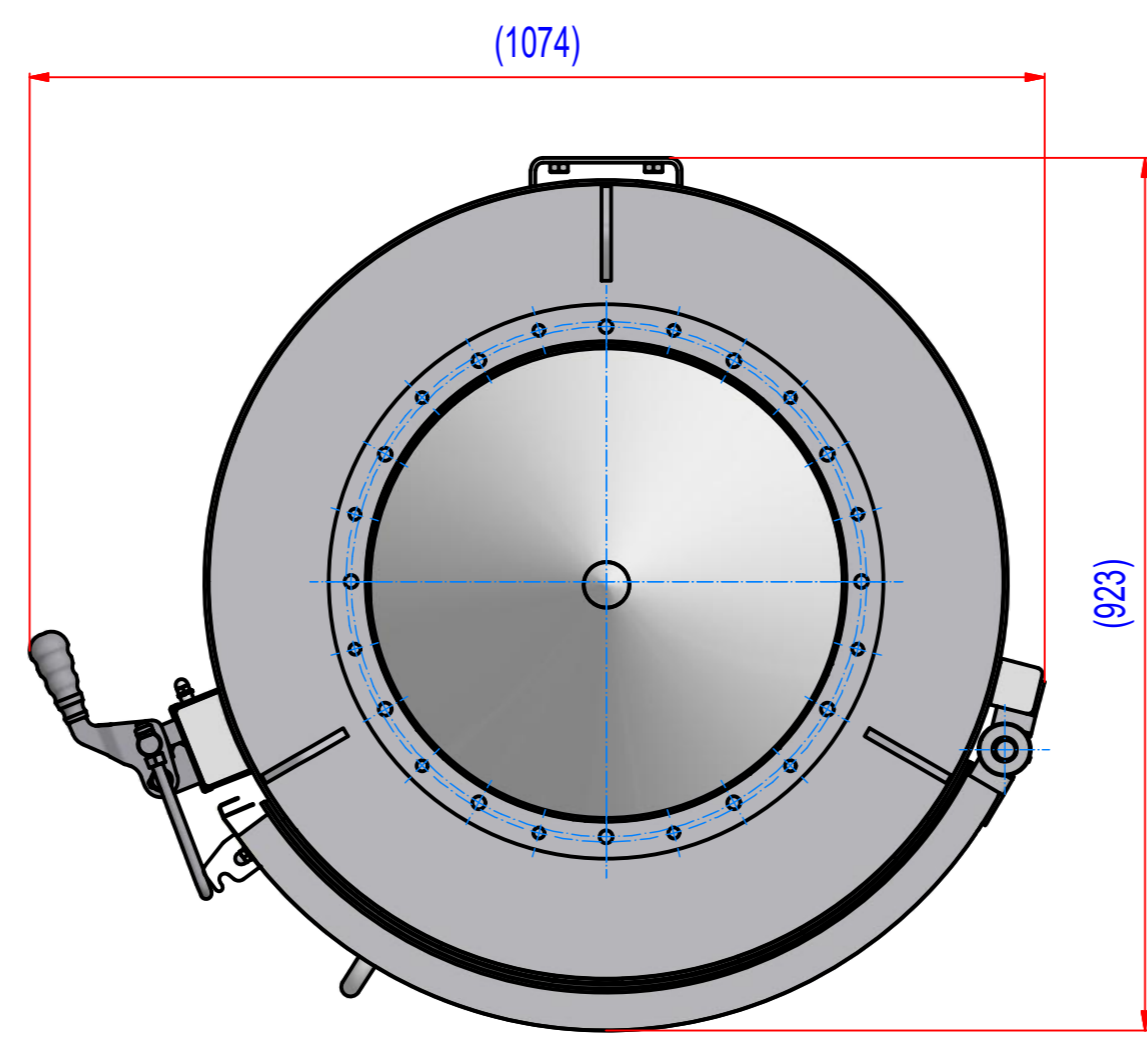
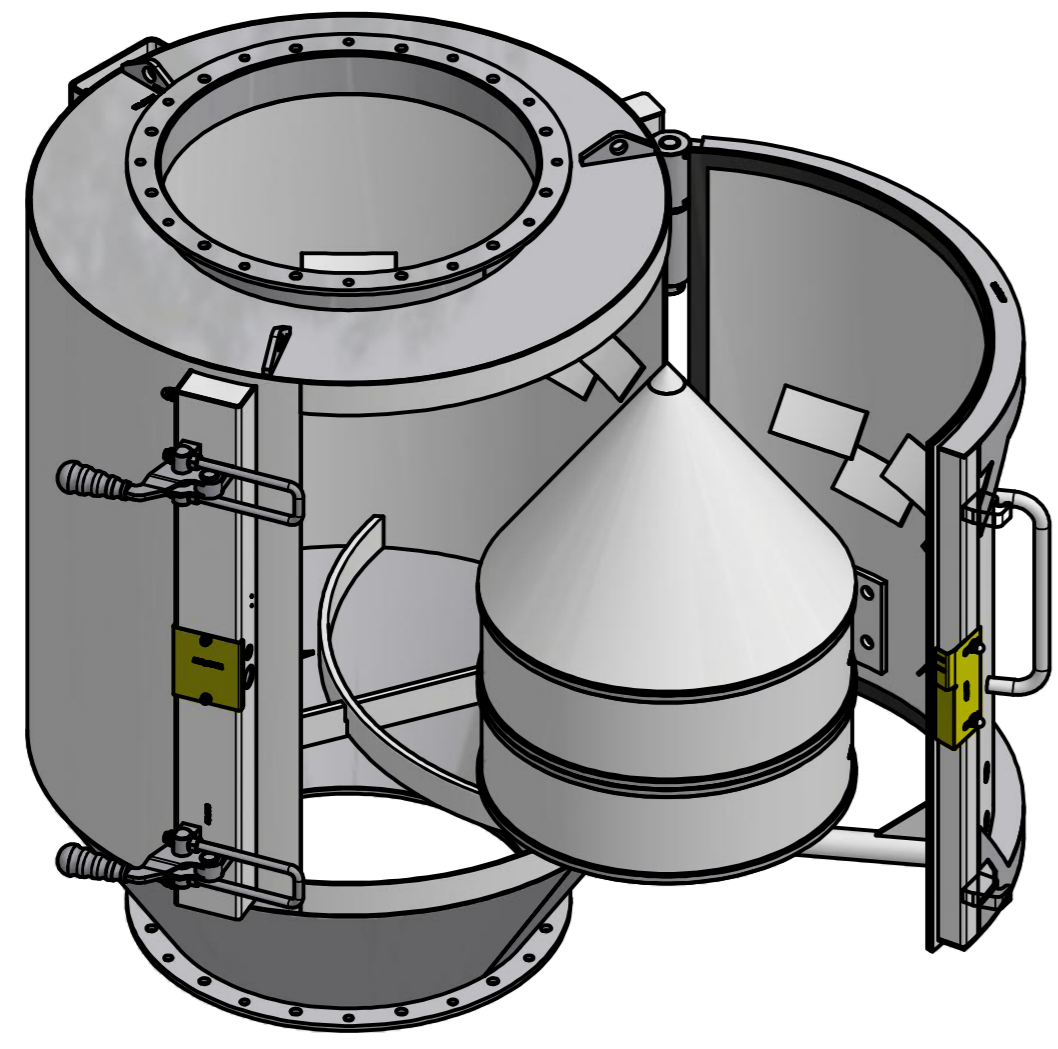
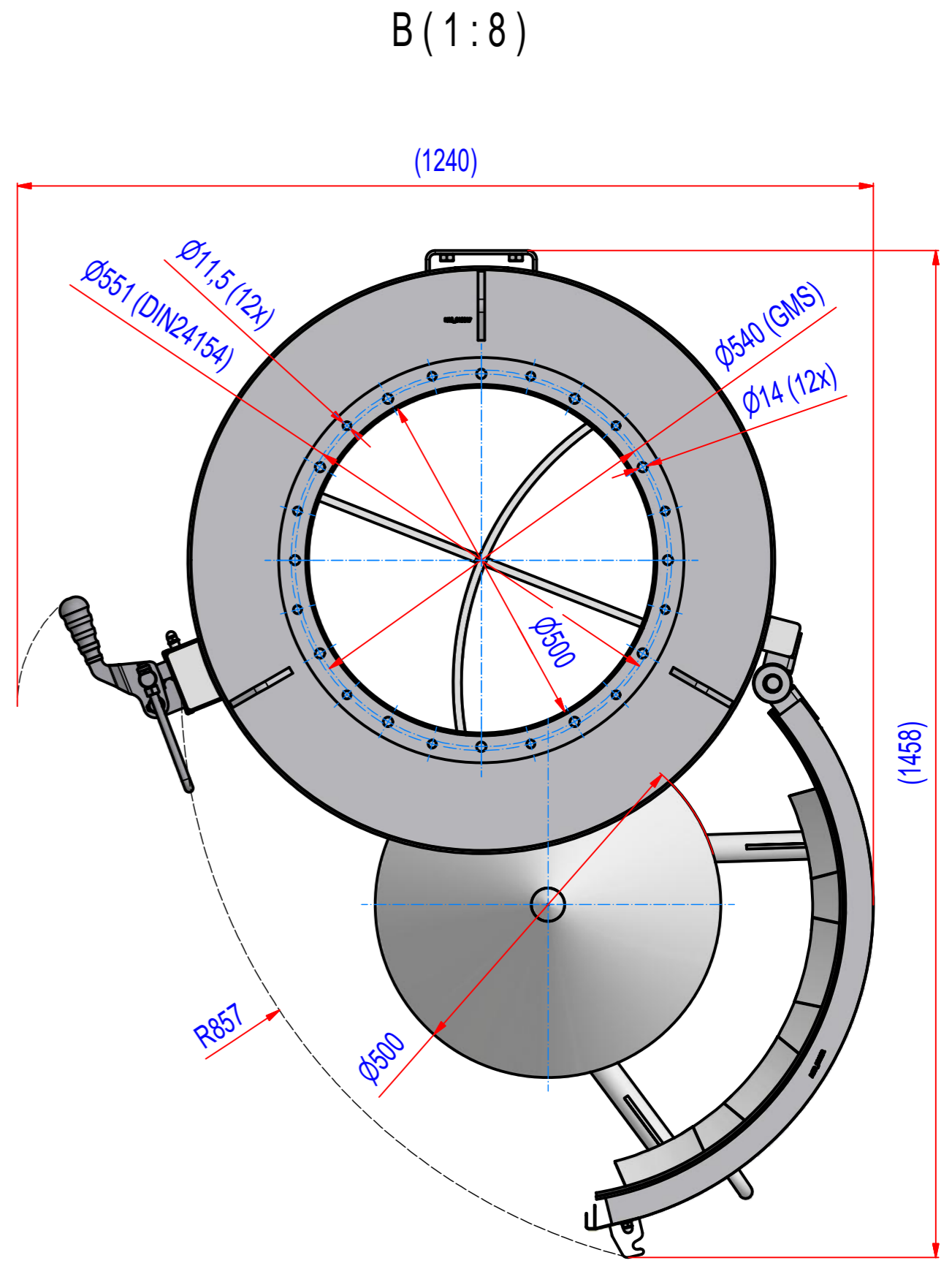
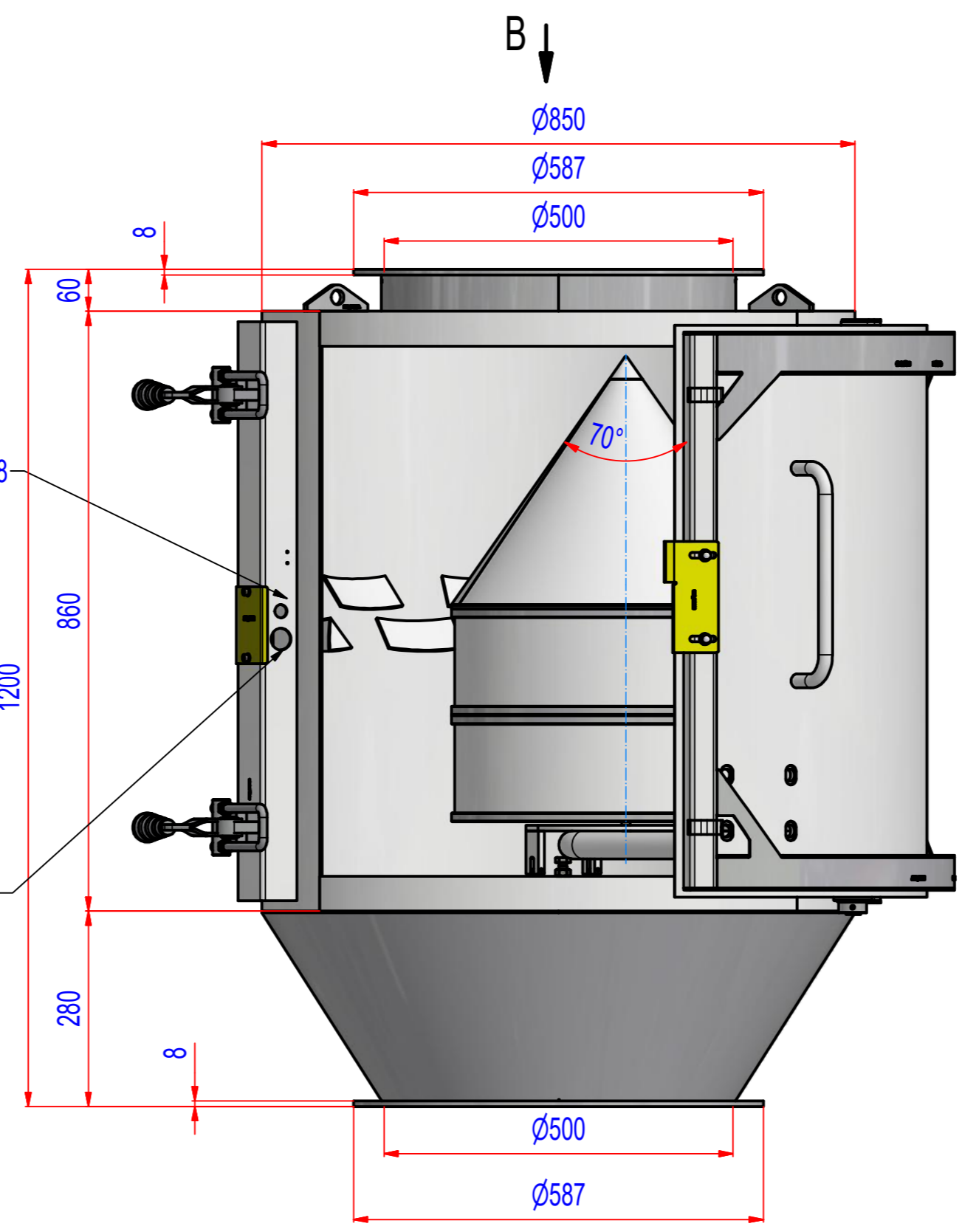
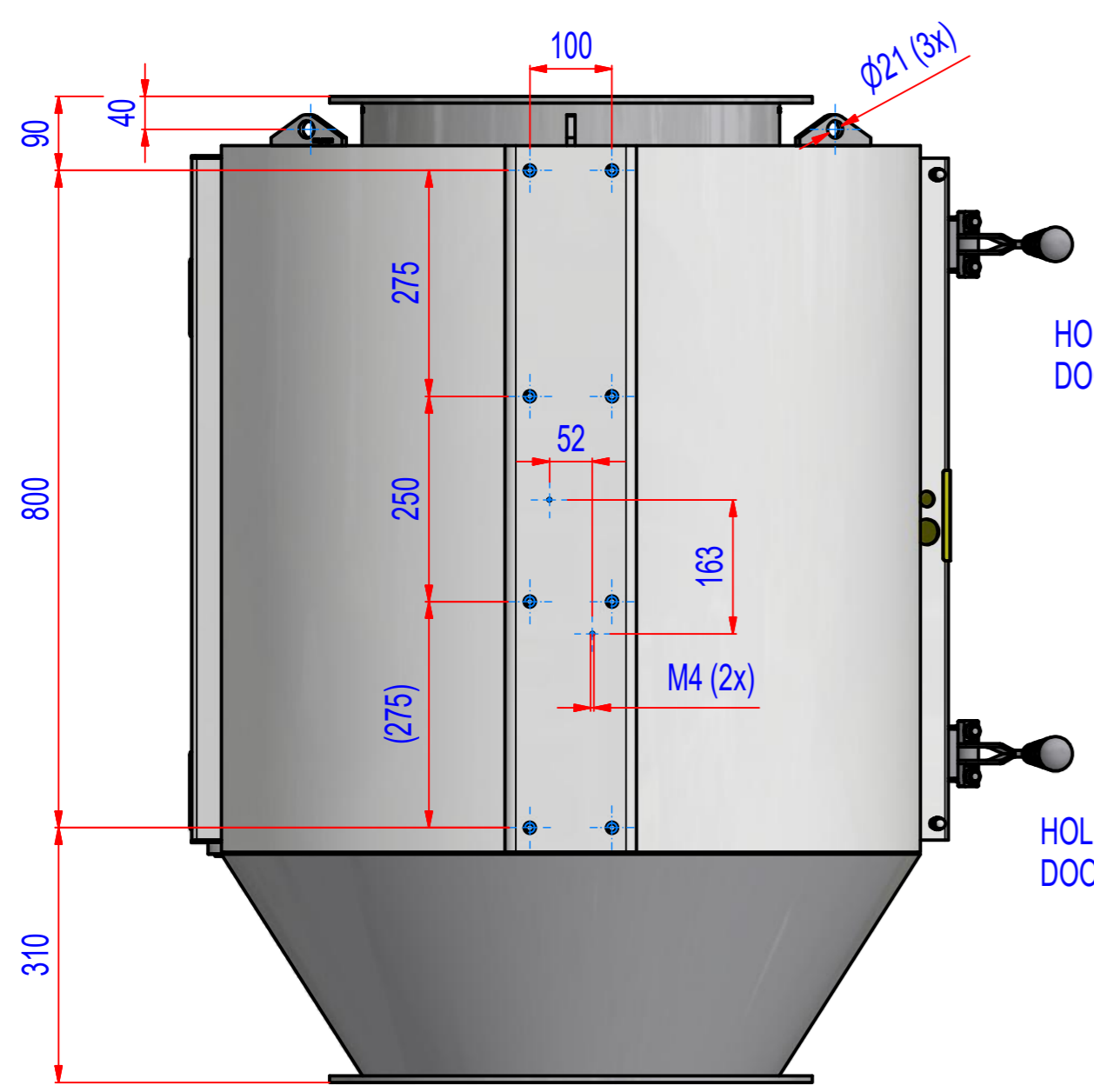


REV	BY	DATE	DESCRIPTION
-	PW	23.01.2017	New Vault, nothing changed, old rev.G



1	A023_000000	SPPE000066w	503,7
POZ./POS.	Č. SOUČÁSTI/ PART NUMBER	POPIS / DESCRIPTION	HMOT./ WEIGHT
Sheet: A2	Weight (kg): 503,7	Extra info:	General tolerance: ISO 2768 - cL
Drawn: PW	Date: 23.01.2017		Drawn according: ISO268; ISO1101; ISO2553
Predecessor:	Quick search: XSPP 6		Status:
Description: Pipe magnet, Ferrite, PM6, type E		© All rights reserved. Reproduction is not permitted without written permission of GOUDSMIT Magnetic Systems BV	Customer reference number:
			Product key: SPP-6-FI-FO-ST-B-BB
			Part number: SPPE000066