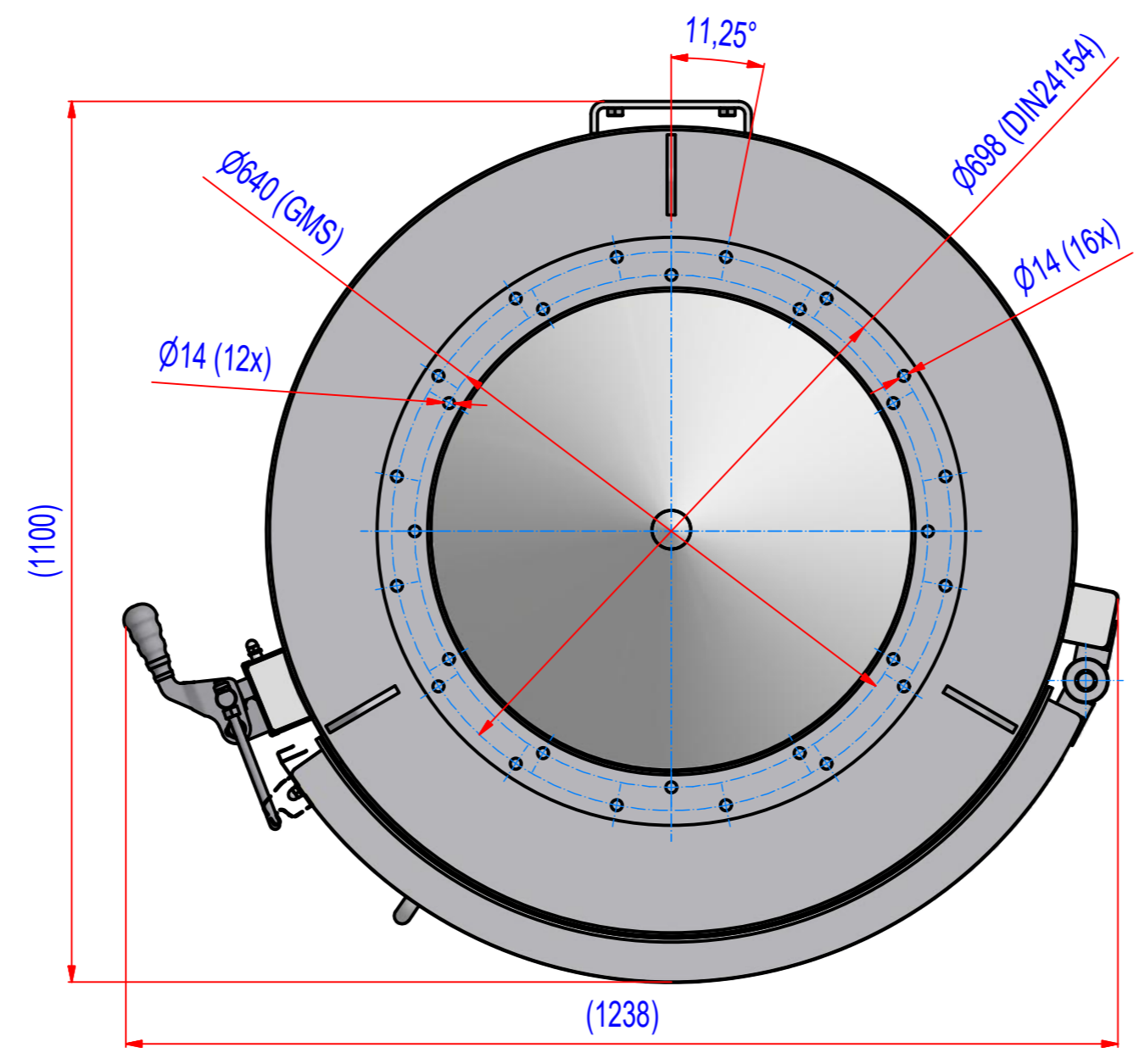
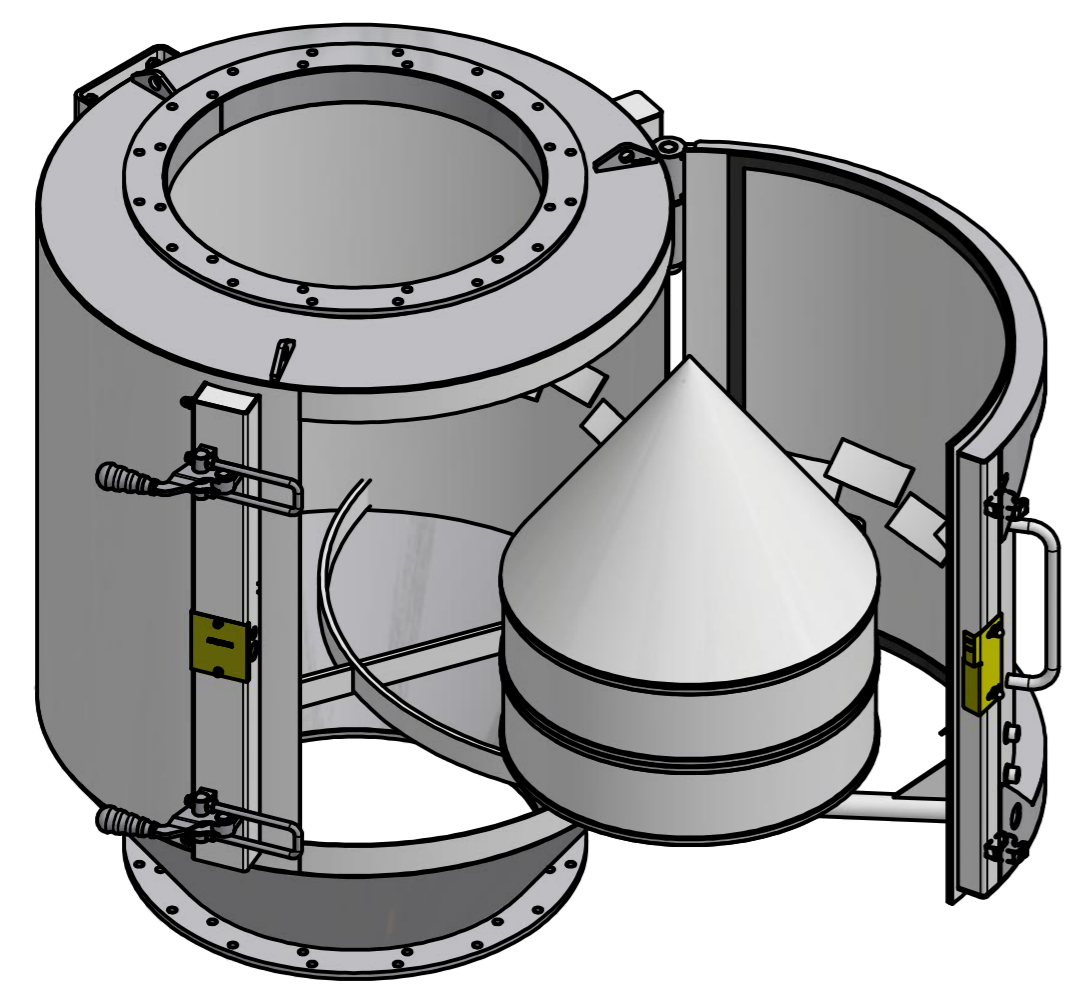
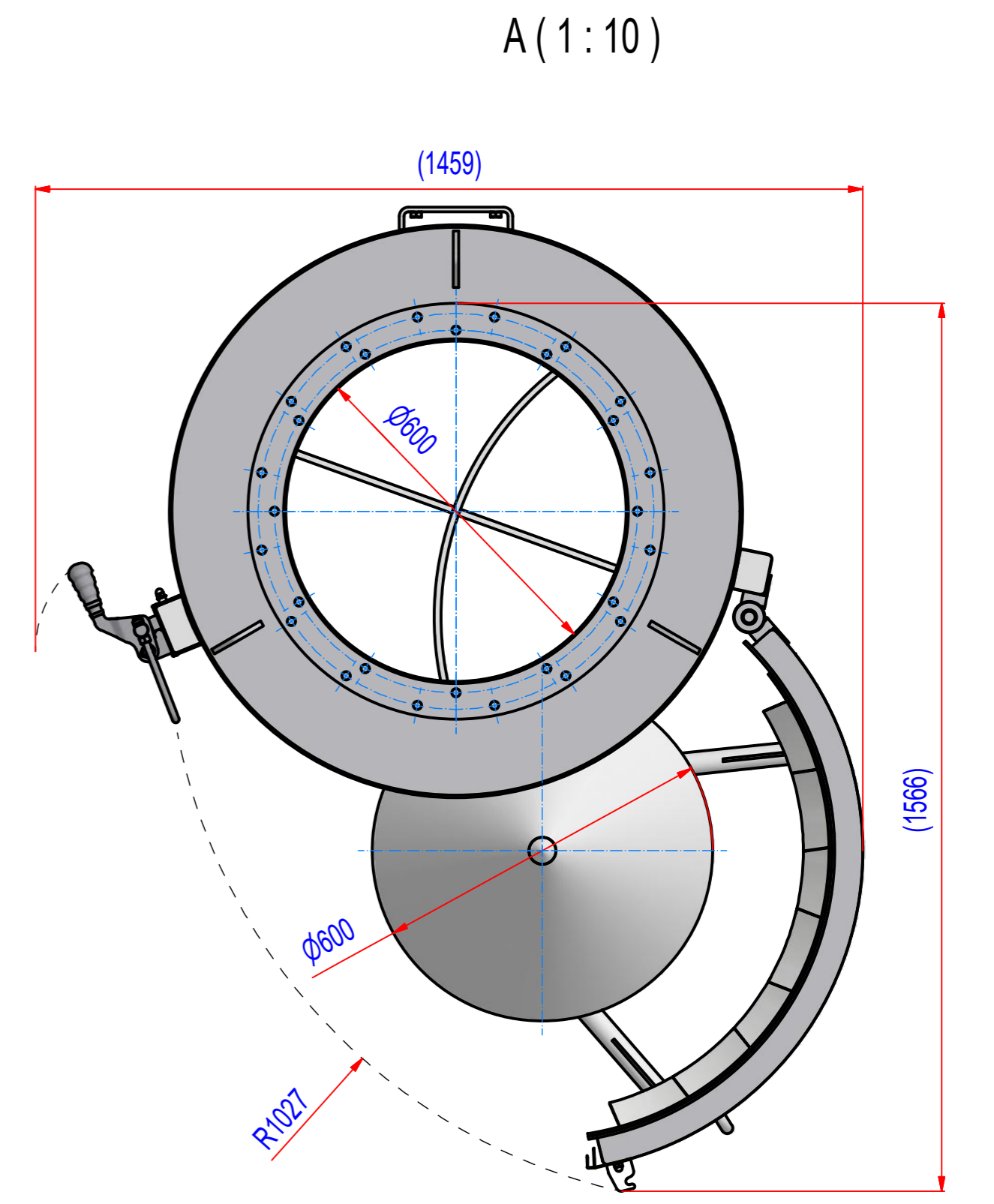
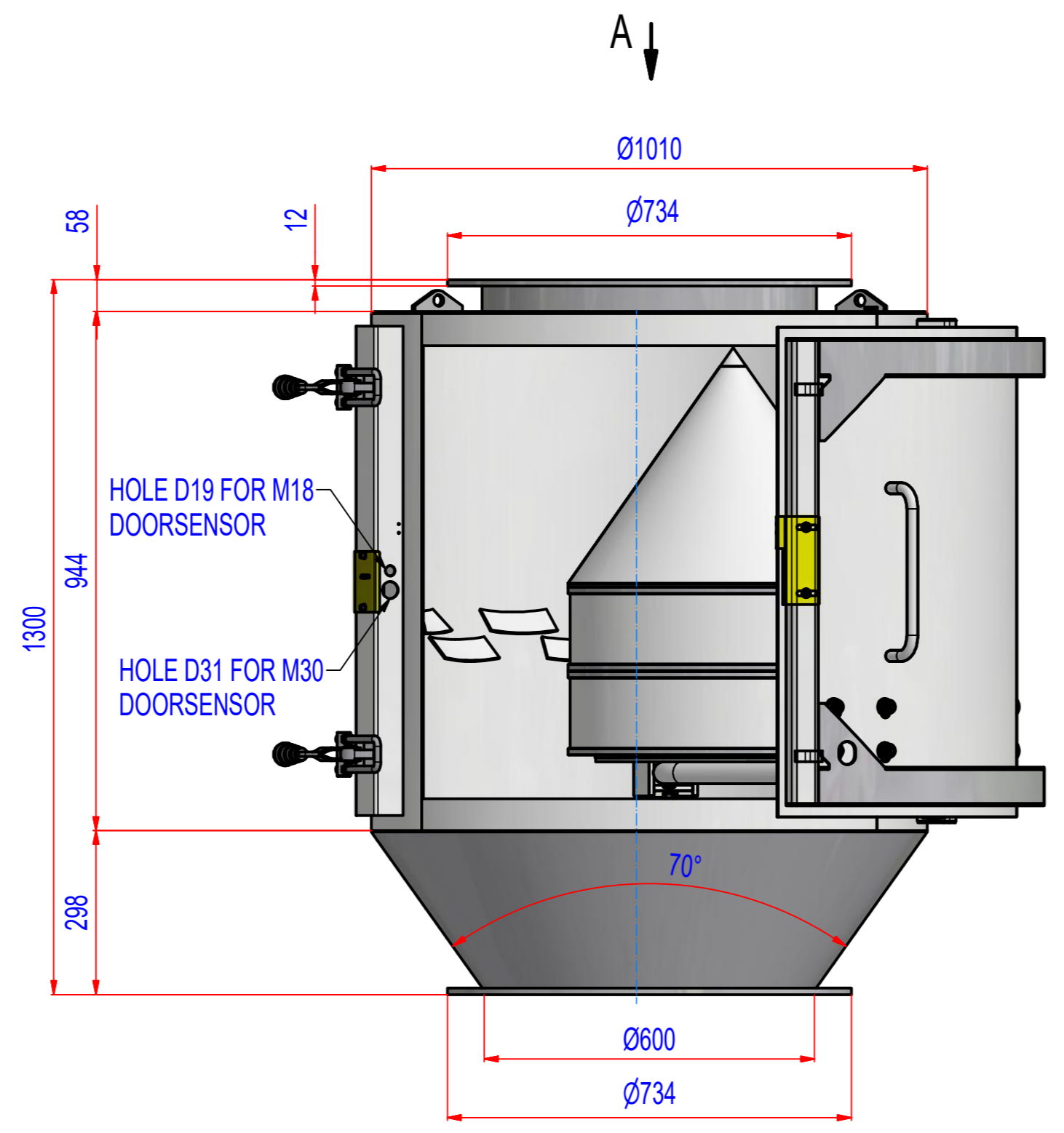
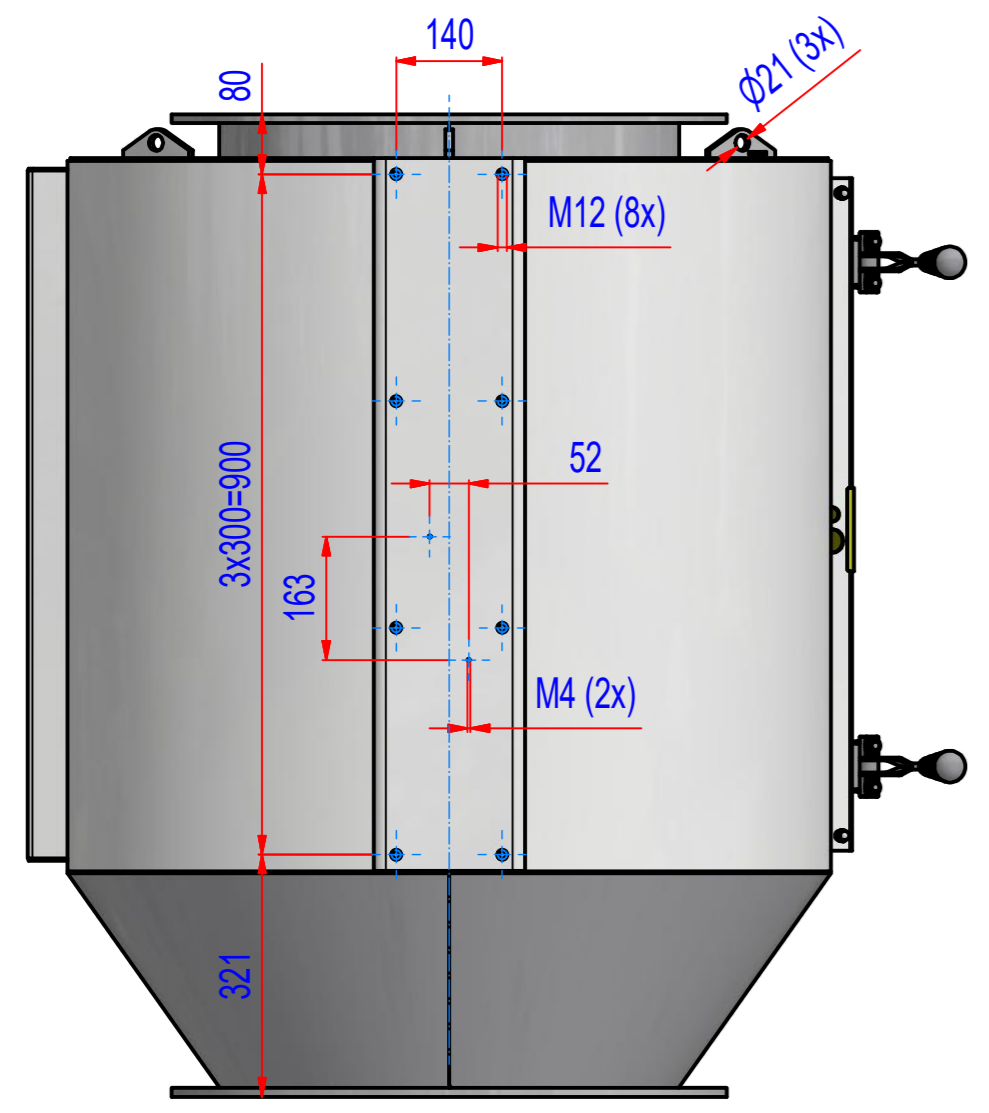


| REV | BY | DATE | DESCRIPTION |
|-----|----|------------|---------------------------------------|
| - | PW | 24.05.2018 | New Vault, nothing changed, old rev.E |



| | | | |
|--|--------------------------|--|---|
| 1 | A282_000000 | SPPE000067 | 744,2 |
| POZ./POS. | Č. SOUČÁSTI/ PART NUMBER | POPIS / DESCRIPTION | HMOT./ WEIGHT |
| Sheet: A2 | Weight (kg): 744,2 | Extra info: | General tolerance: ISO 2768 - cL |
| Drawn: PW | Date: 24.05.2018 | <p>© All rights reserved. Reproduction is not permitted without written permission of GOUDSMIT Magnetic Systems BV</p> | Drawn according: ISO268; ISO1101; ISO2553 |
| Predecessor: | Quick search: XSPP 7 | | Status: |
| Description: Pipe magnet, Ferrite, PM7, type E | | Customer reference number: | Product key: SPP-7-FI-FO-ST-B-BB |
| | | | Part number: SPPE000067 |