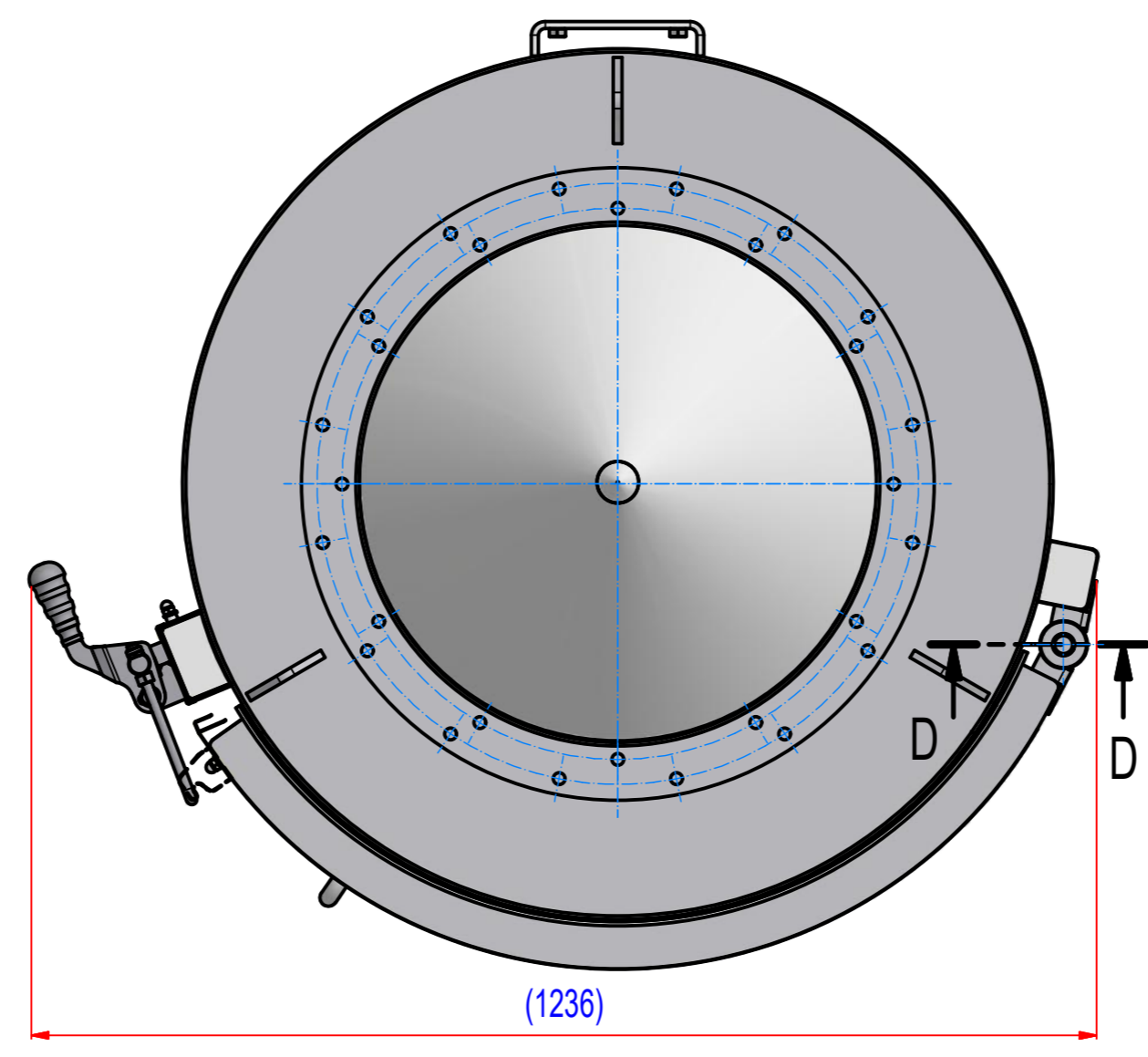
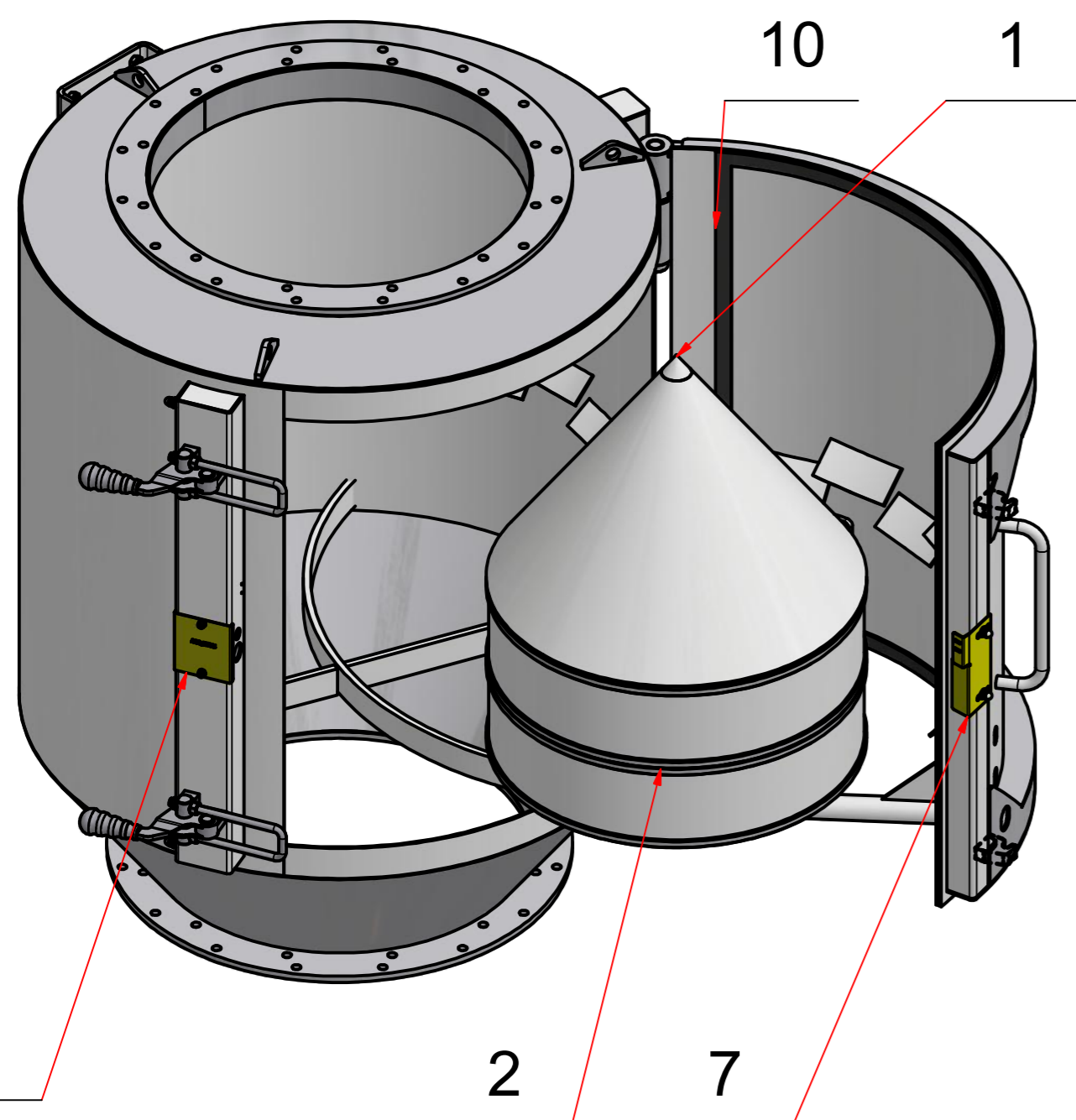
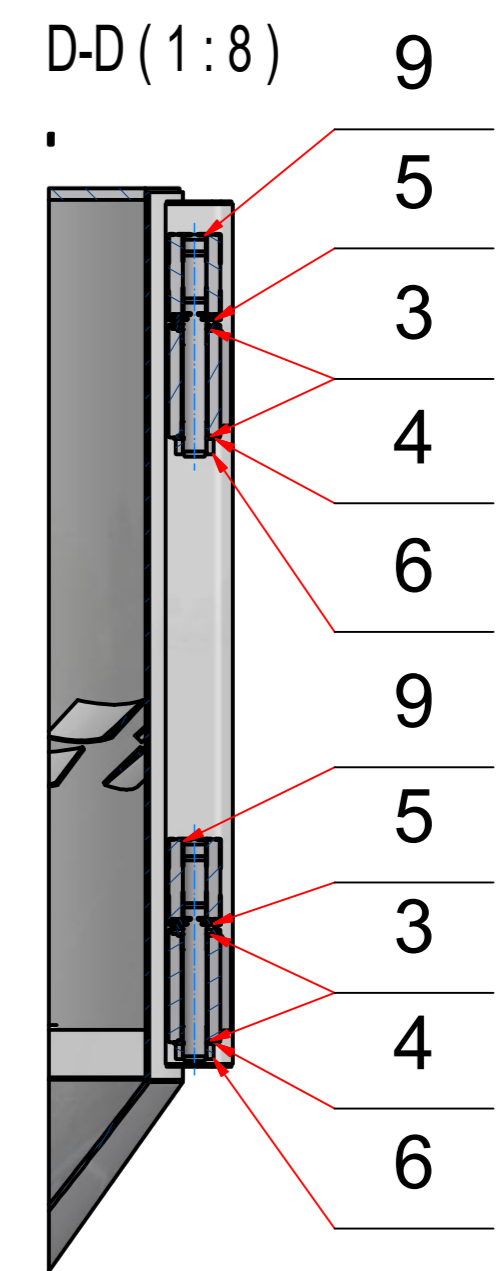
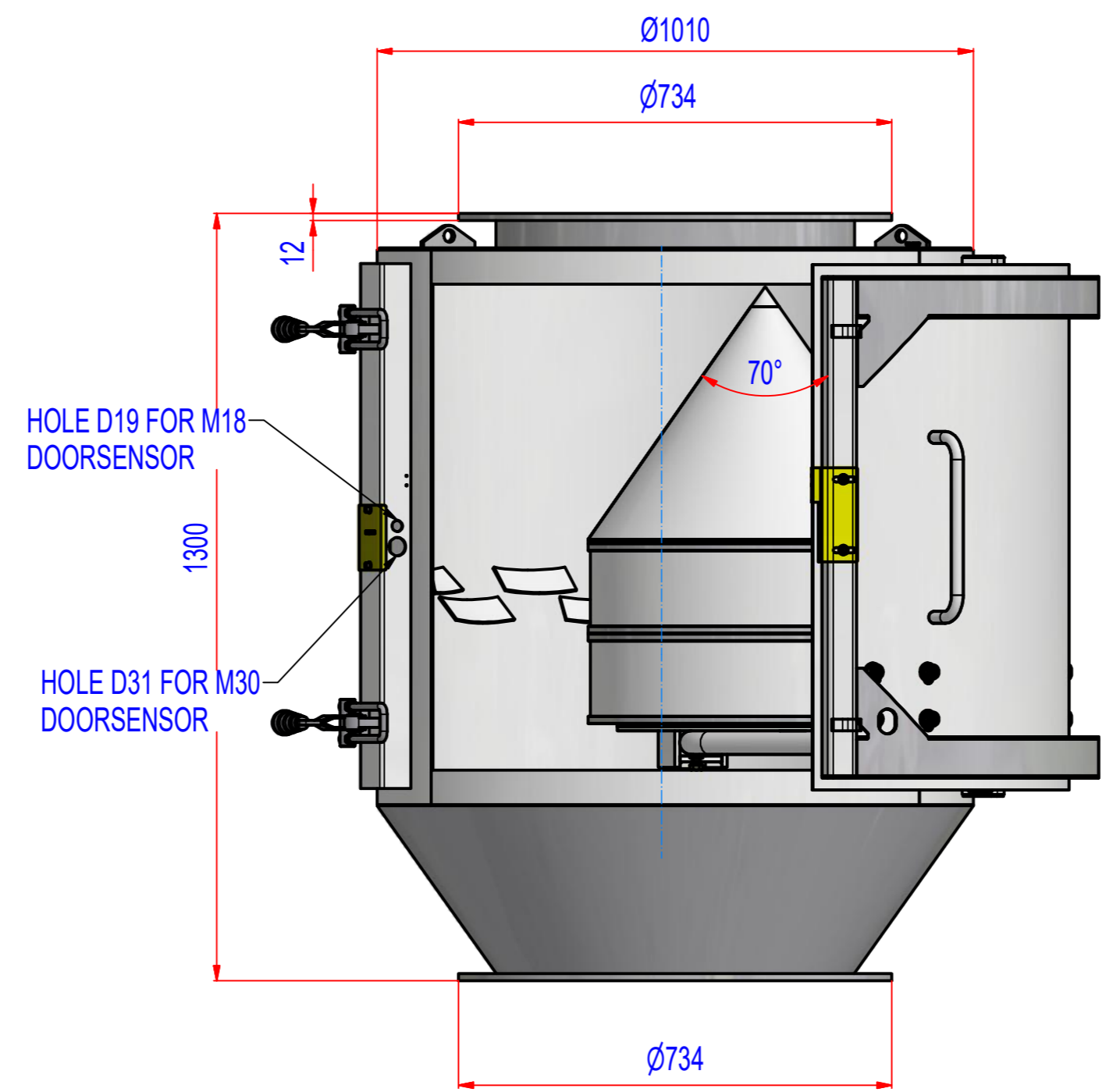
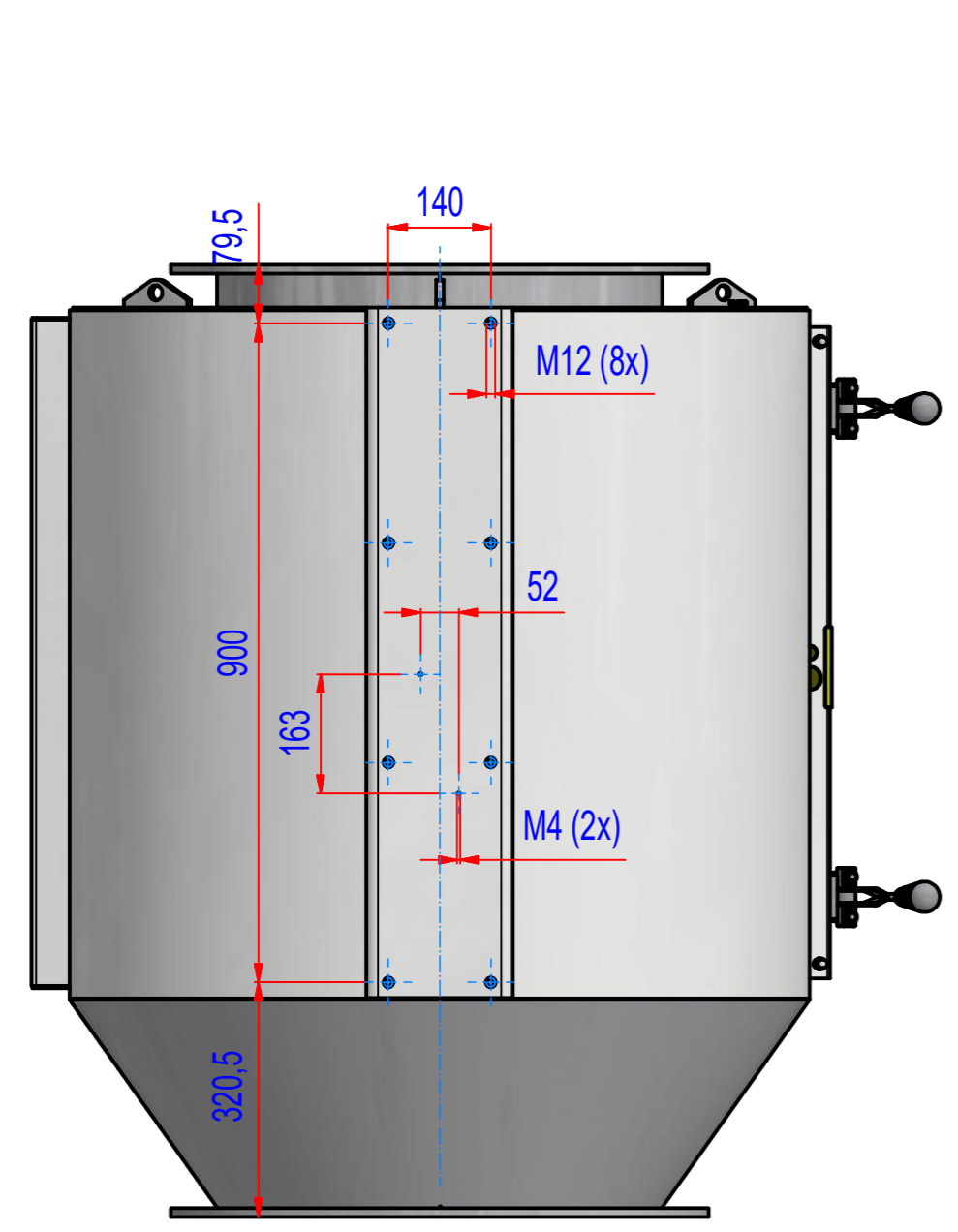


REV	BY	DATE	DESCRIPTION
-	PW	23.07.2018	New Vault, nothing changed, old rev.E



POZ.	Č. SOUČÁSTI	POPIS	MATERIÁL	HMOT.	MN.
10	H20_000001	Gasket for PM7 25x5, L=3880	Silikon	0,6	1
9	A023_000001	Hinge pin PM7	S355 (11523)	0,9	2
8	A028_000001	Sensor cover for PM5/6/7	AISI304	0,1	1
7	H20_000002_B	Sensor plate PM7	S235JR (11373)	0,1	1
6	70_6000025	Set colar 25x40x16	CS	0,1	2
5	15_1151205	Bearing 51205		0	2
4	15_9000049	Sliding pad GTM-2644-015	Iglidur	0	2
3	15_9000048	Closed linear plain bearing GFM-2528-16	Iglidur	0	4
2	H20_030000	Magnet PM7, 70°		415	1
1	H20_30200	Cone 70°	AISI304	23	1

Sheet: A2 Drawn: PW Date: 23.07.2018 Predecessor: Quick search: XSPP 7 Description: Spare parts for SPPE000067	Extra info:  © All rights reserved. Reproduction is not permitted without written permission of GOUDSMIT Magnetic Systems BV	General tolerance: ISO 2768 - cL Drawn according: ISO268; ISO1101; ISO2553 Status: Customer reference number: Product key: SPP-7-FI-FO-ST-B-BB Part number: SPPE000067_SP Rev:
---	--	--