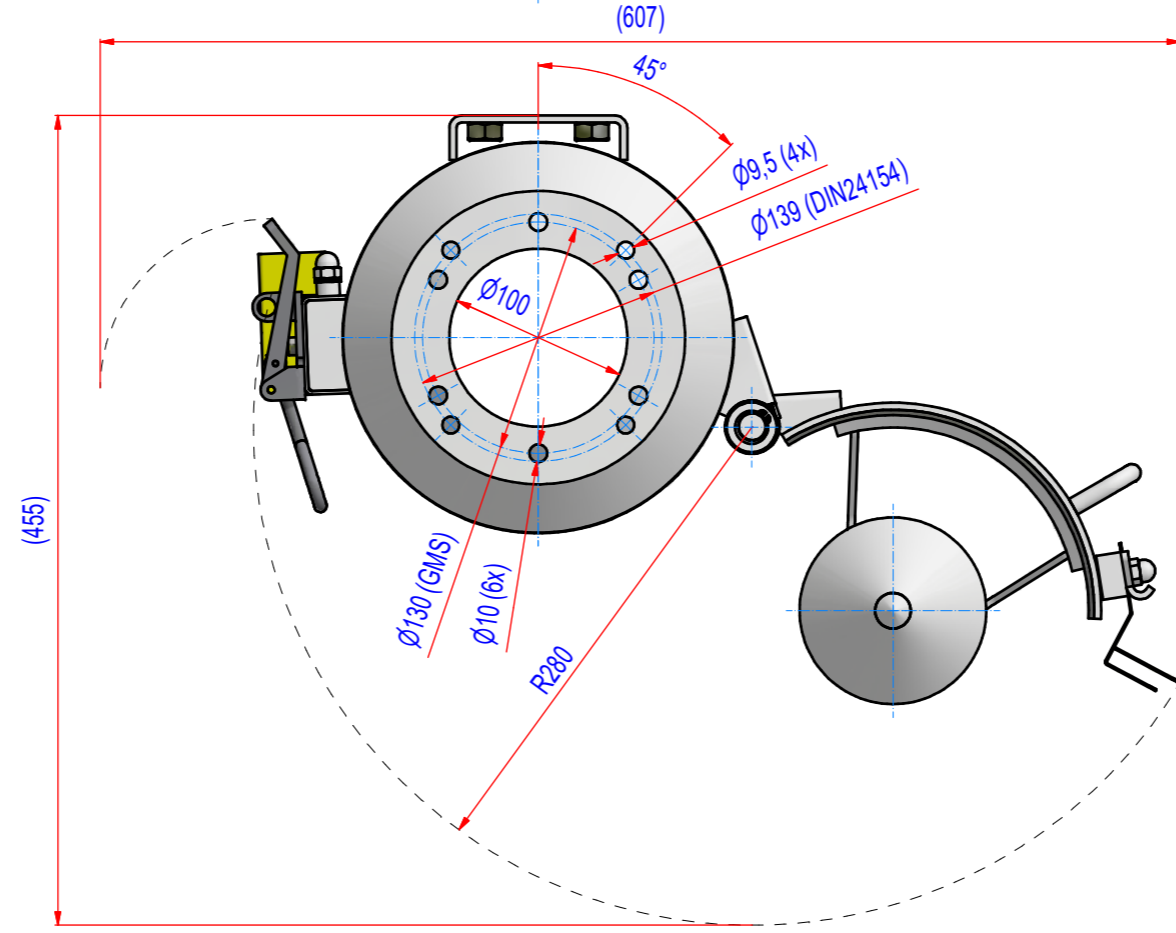
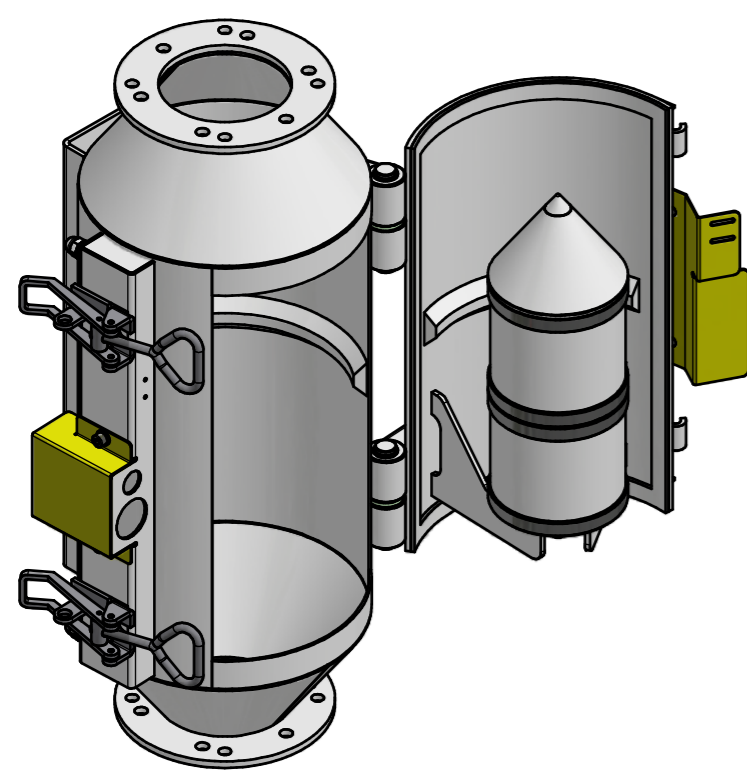
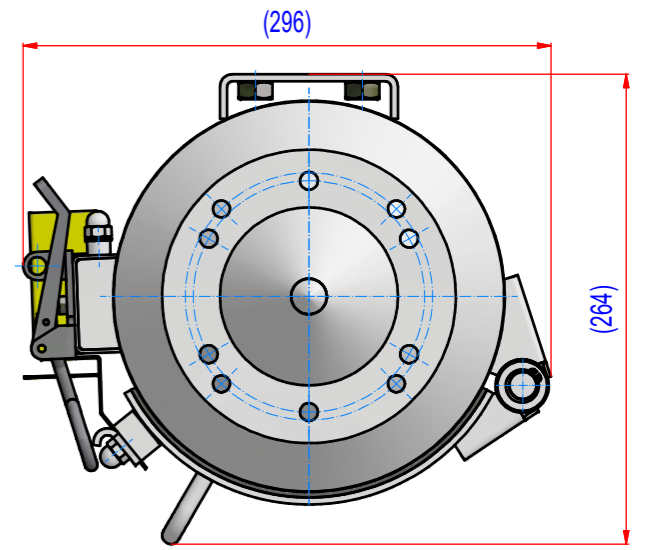
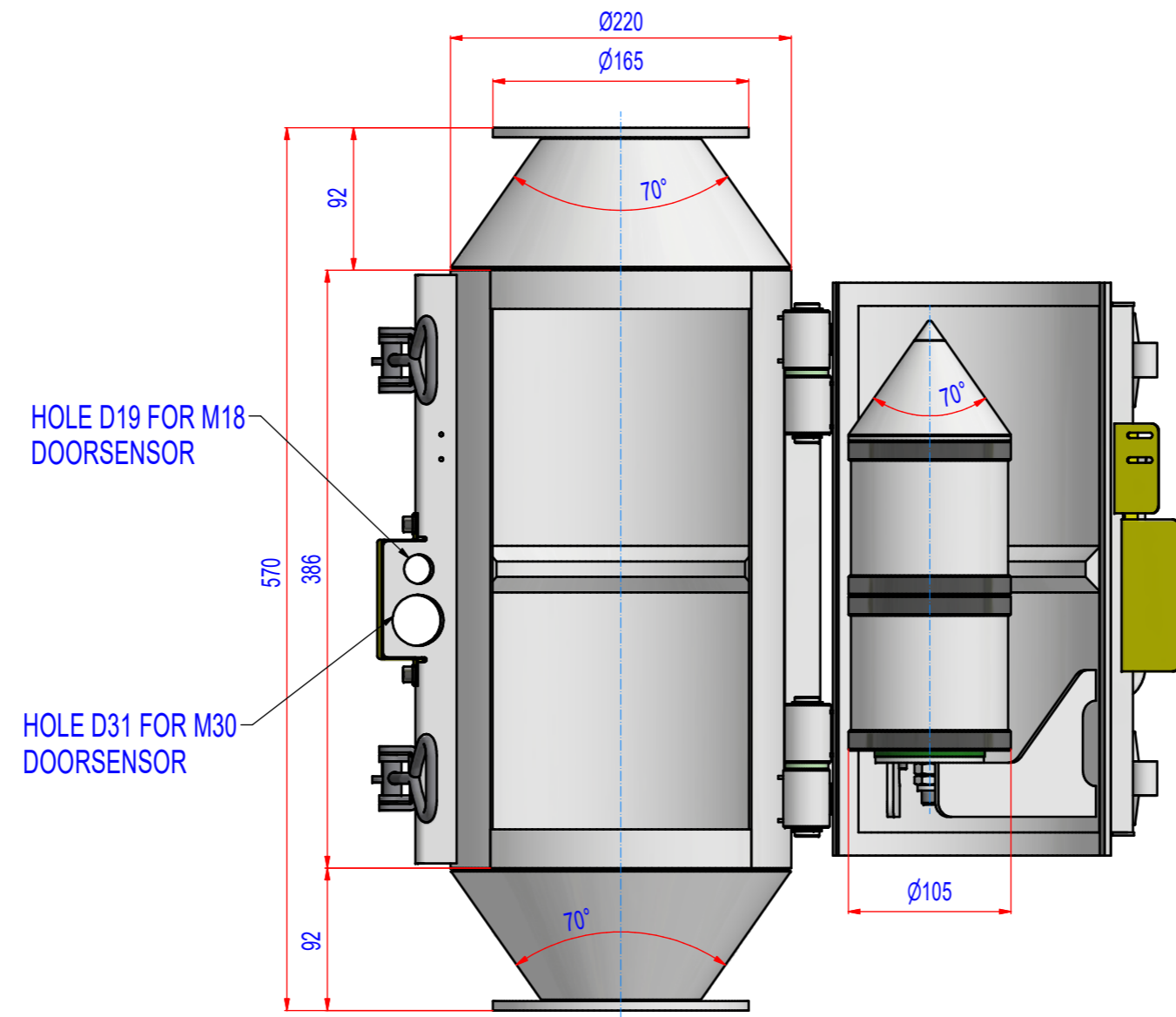
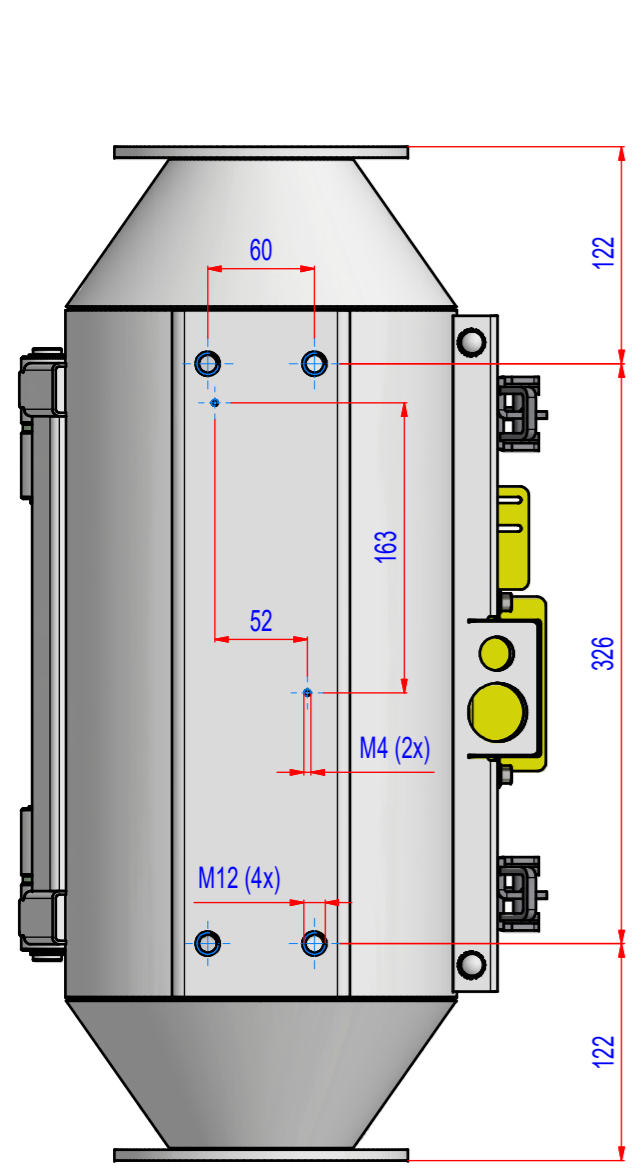


REV	BY	DATE	DESCRIPTION
-	PW	26.02.2018	New Vault, nothing changed, old rev.C



POZ./POS.	Č. SOUČÁSTI/ PART NUMBER	POPIS / DESCRIPTION	HMOT./ WEIGHT
1	A091_000000	SPPE000160	24,3
Sheet: A2 Drawn: PW Date: 26.02.2018 Predecessor:		Extra info: GOUDSMIT MAGNETIC SYSTEMS <small>© All rights reserved. Reproduction is not permitted without written permission of GOUDSMIT Magnetic Systems BV</small>	General tolerance: ISO 2768 - cL Drawn according: ISO268; ISO1101; ISO2553 Status: Customer reference number: Product key: SPP-0-TC-FO-S4-B-BB Part number: SPPE000160 Rev: -
Quick search: XSPP 0 Description: Pipe magnet, Ferrite, PM0, type E			