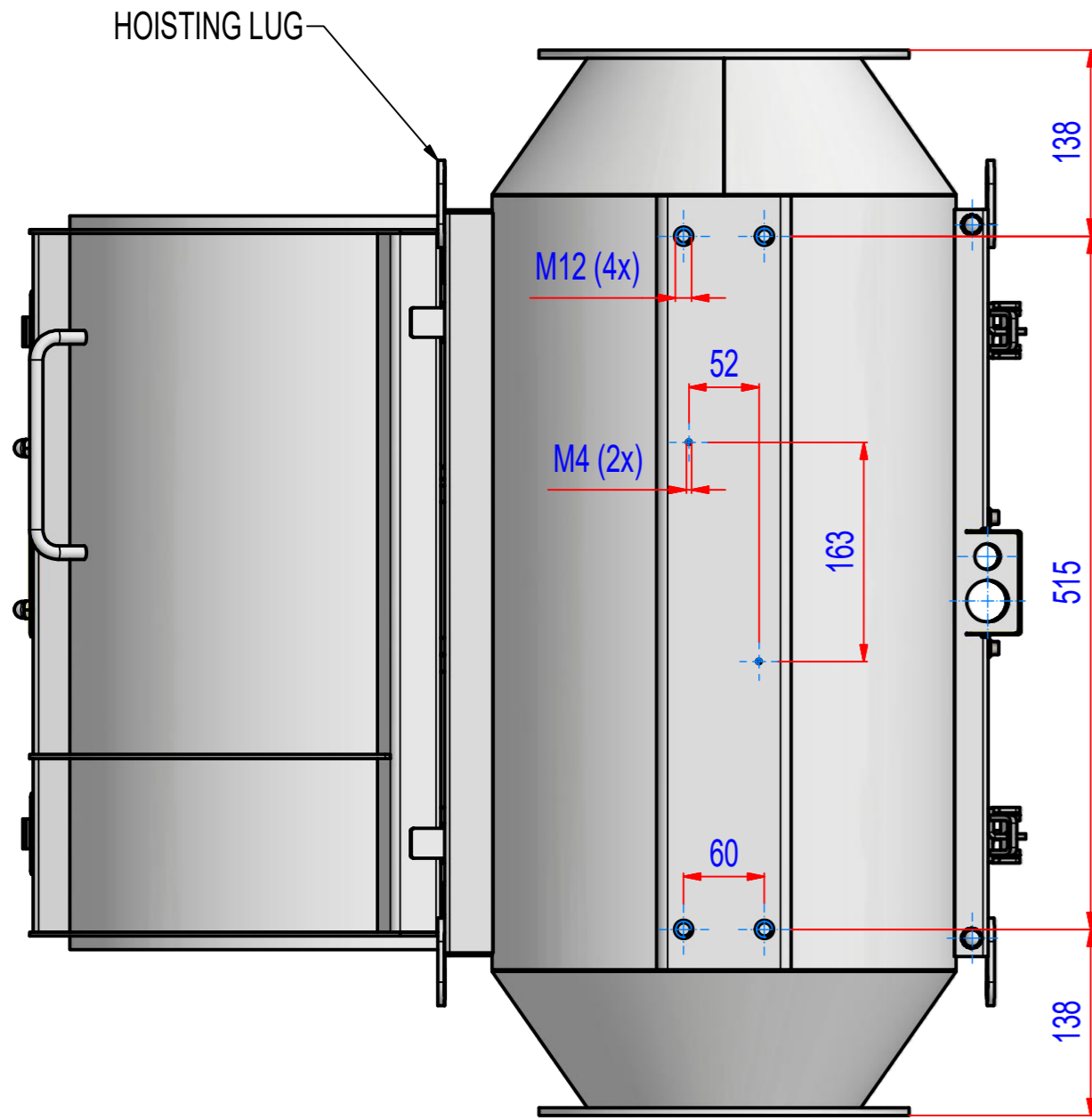
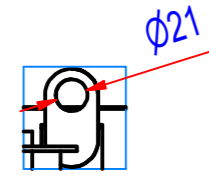
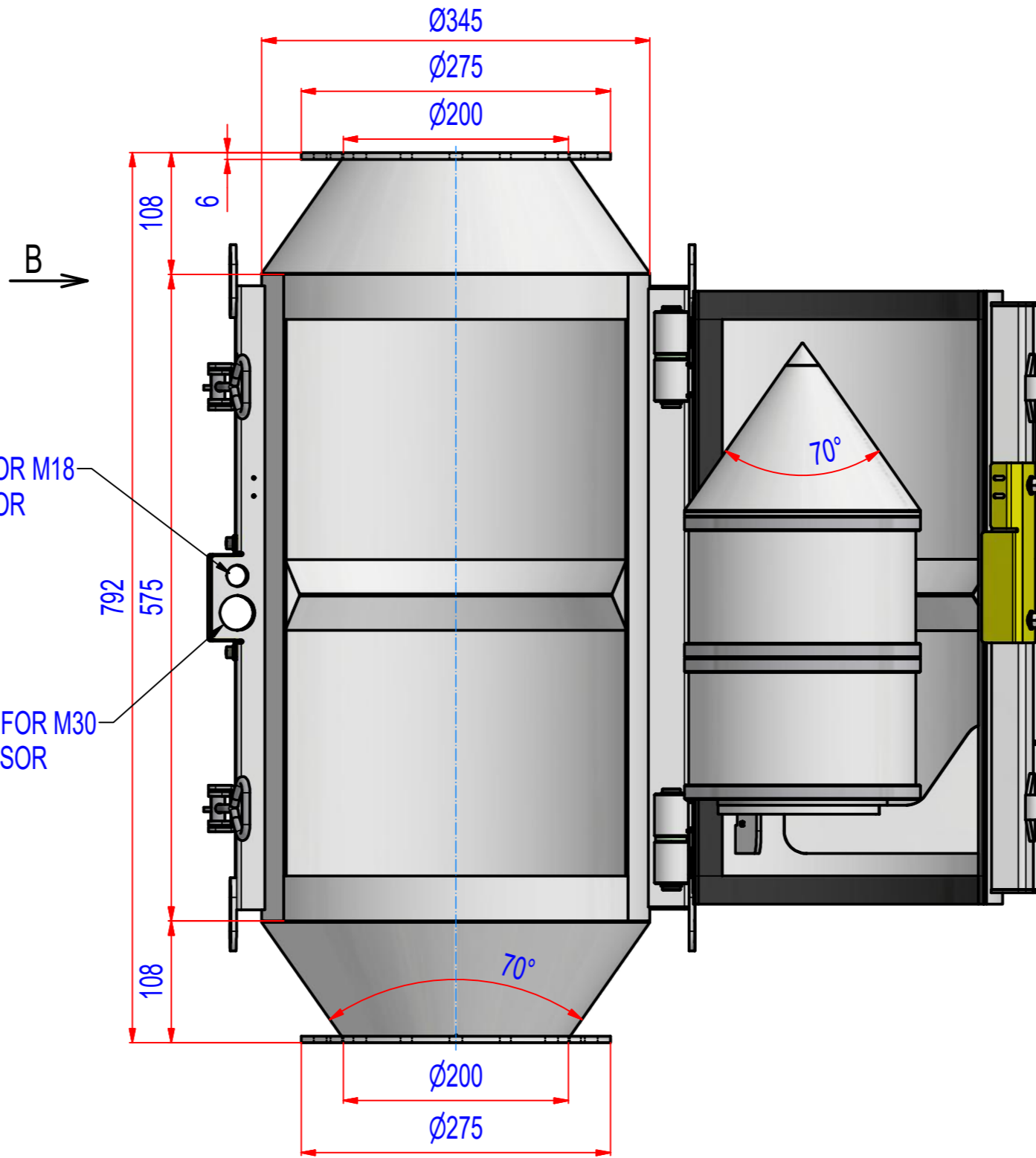


REV	BY	DATE	DESCRIPTION
-	PW	08.02.2017	New Vault, nothing changed, old rev.F

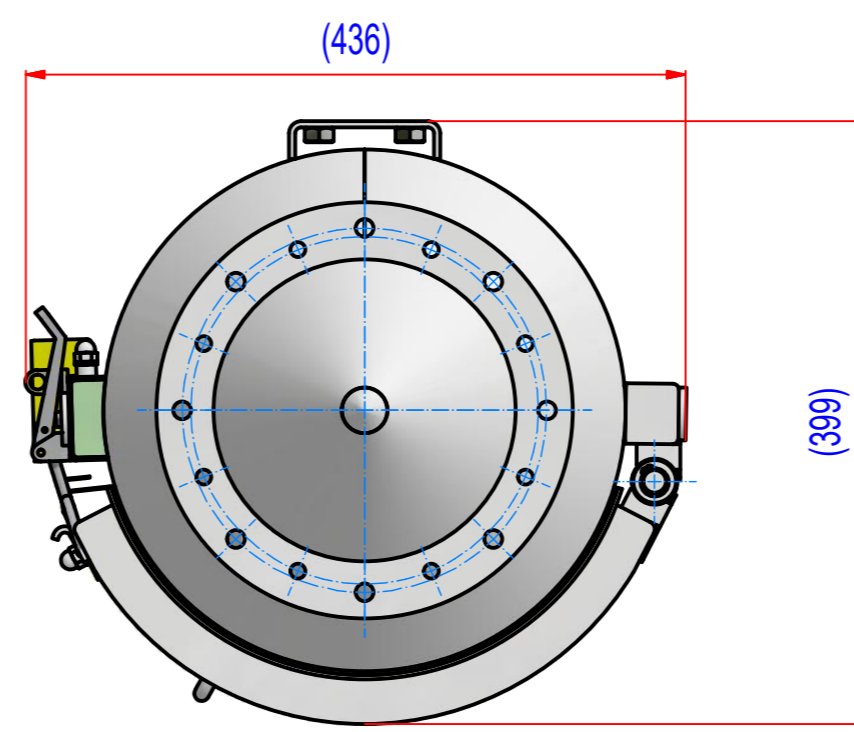
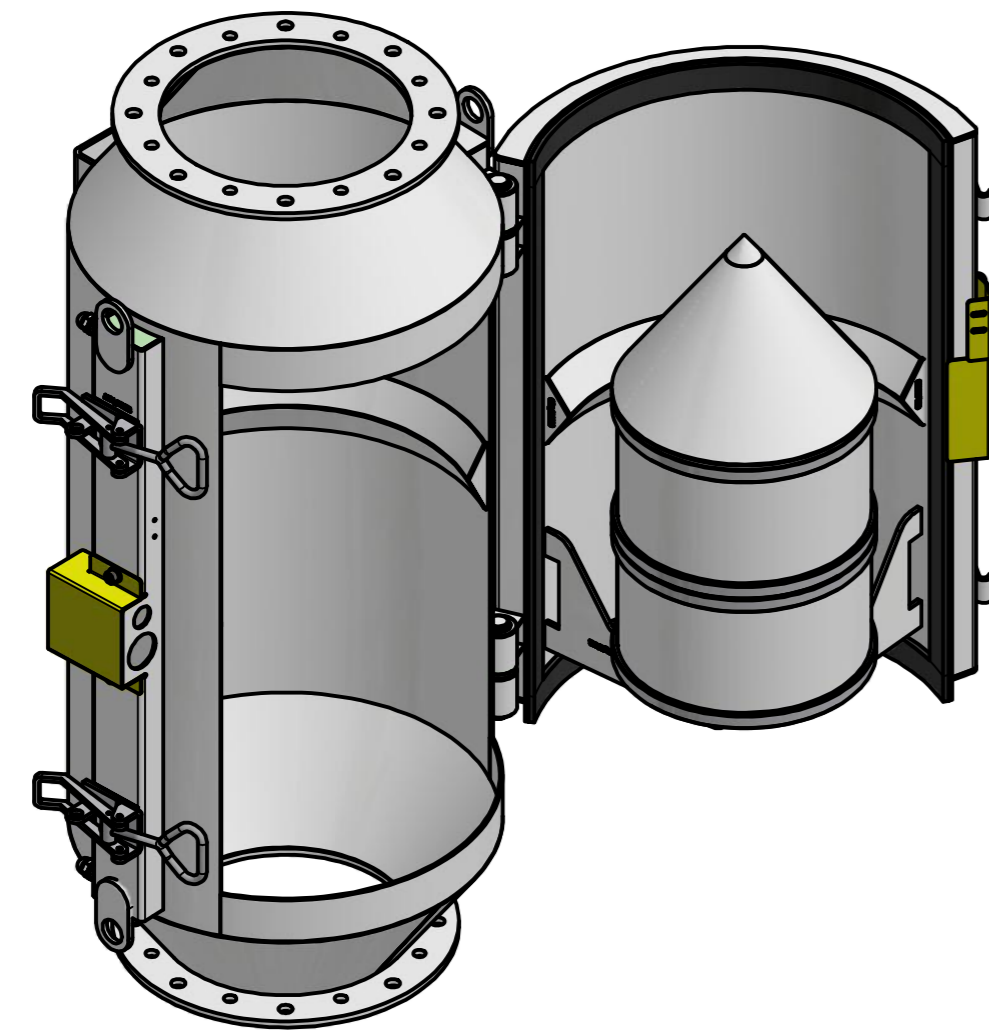
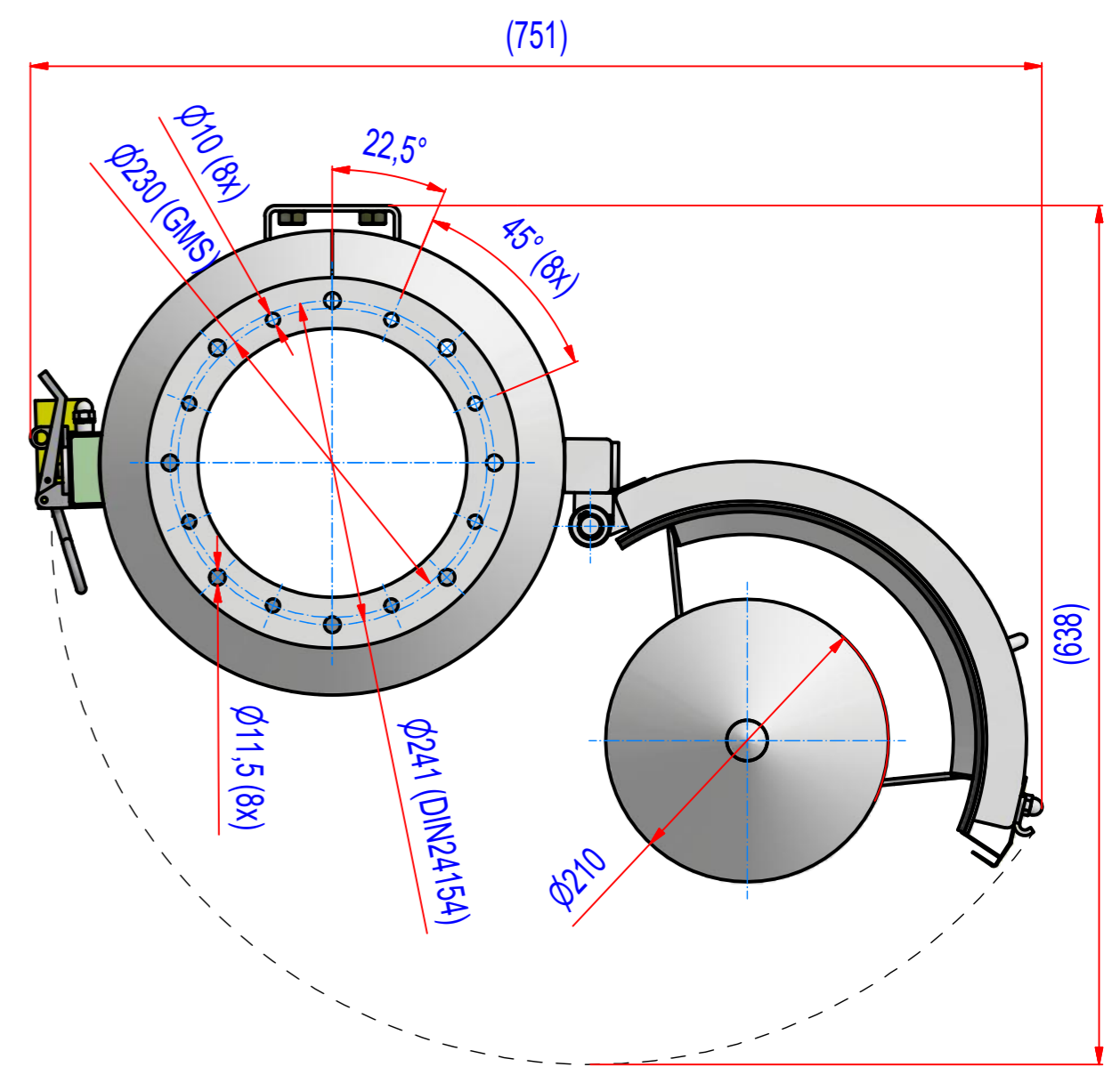
HOISTING LUG
B (1:5)



A ↓



A (1:5)



POZ./POS.	Č. SOUČÁSTI/ PART NUMBER	POPIS / DESCRIPTION	HMOT./ WEIGHT
1	A004_000000	SPPE000162	75,5
Sheet: A2 Drawn: PW Date: 08.02.2017 Predecessor:		Extra info: GOUDSMIT MAGNETIC SYSTEMS <small>© All rights reserved. Reproduction is not permitted without written permission of GOUDSMIT Magnetic Systems BV</small>	General tolerance: ISO 2768 - cL Drawn according: ISO268; ISO1101; ISO2553 Status: Customer reference number: Product key: SPP-2-TC-FO-S4-B-BB Part number: SPPE000162 Rev: -
Quick search: XSPP 2 Description: Pipe magnet, Ferrite, PM2, type E			