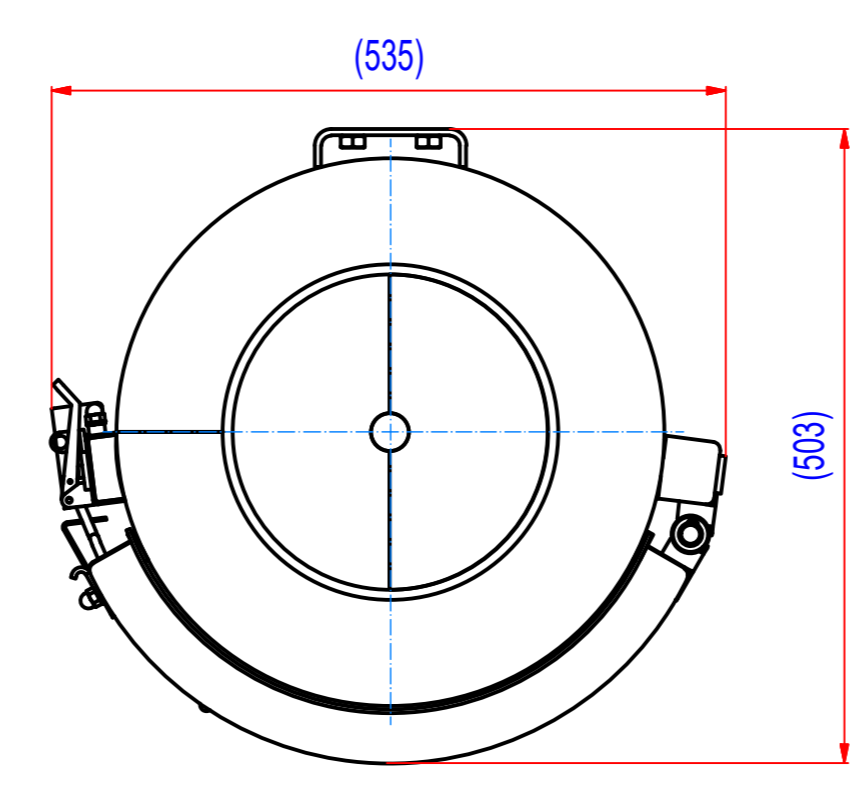
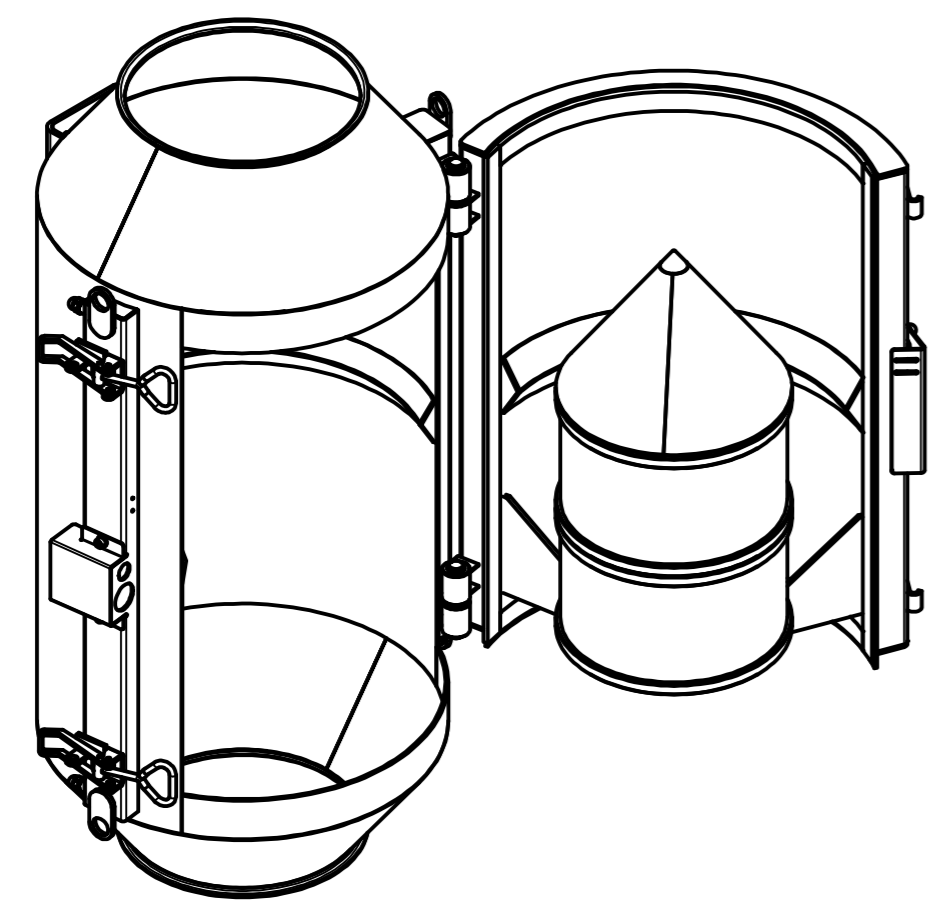
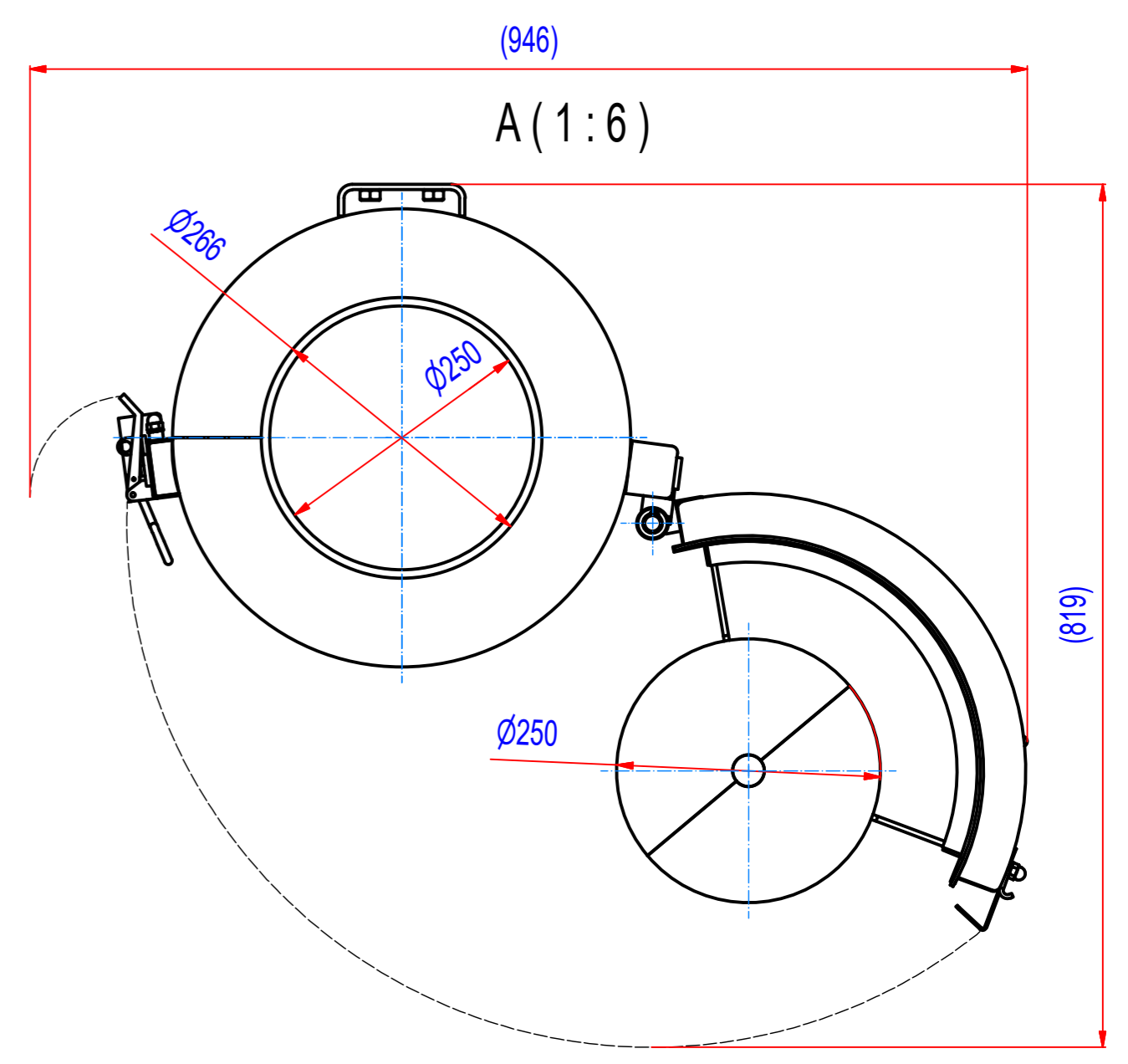
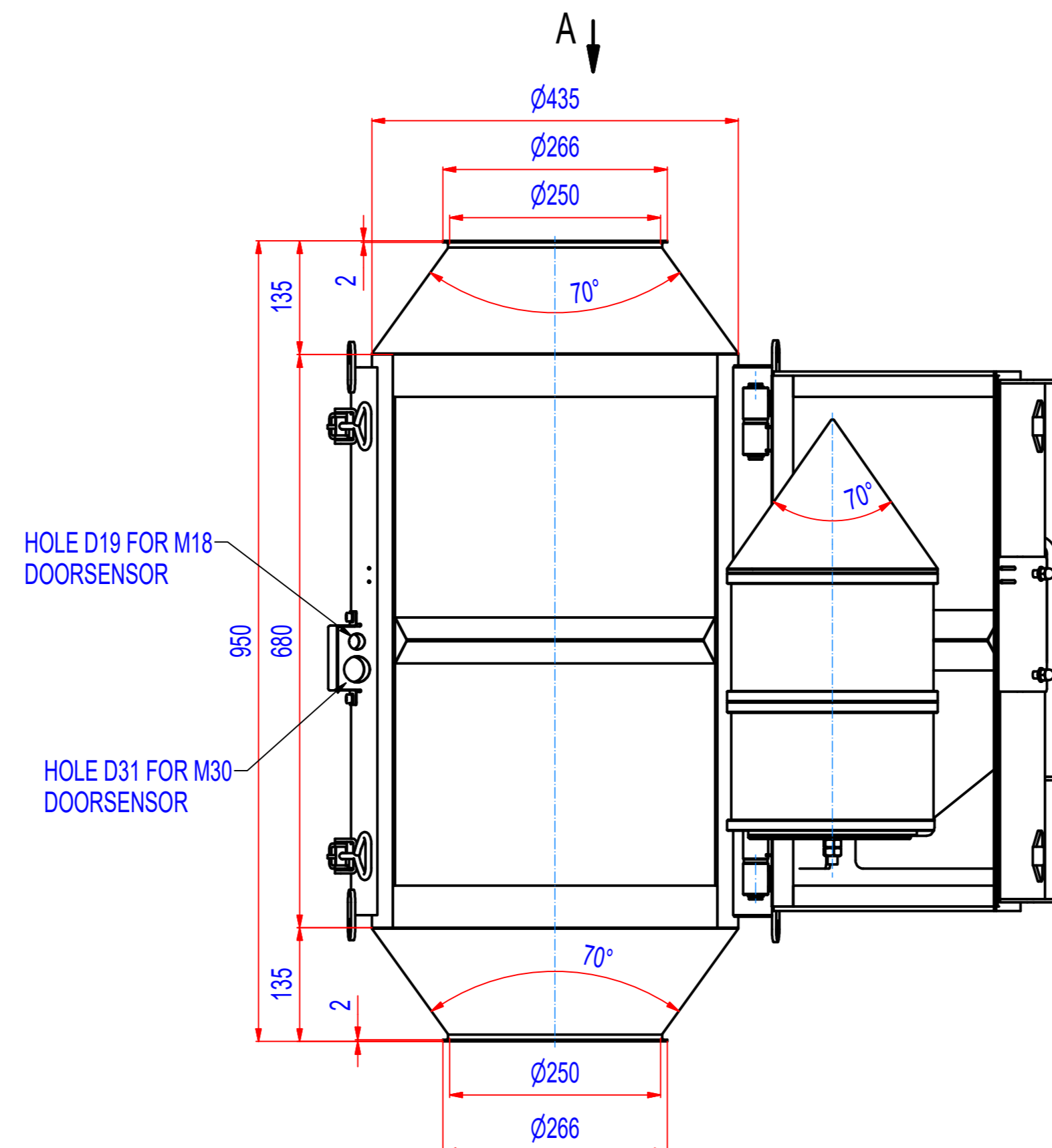
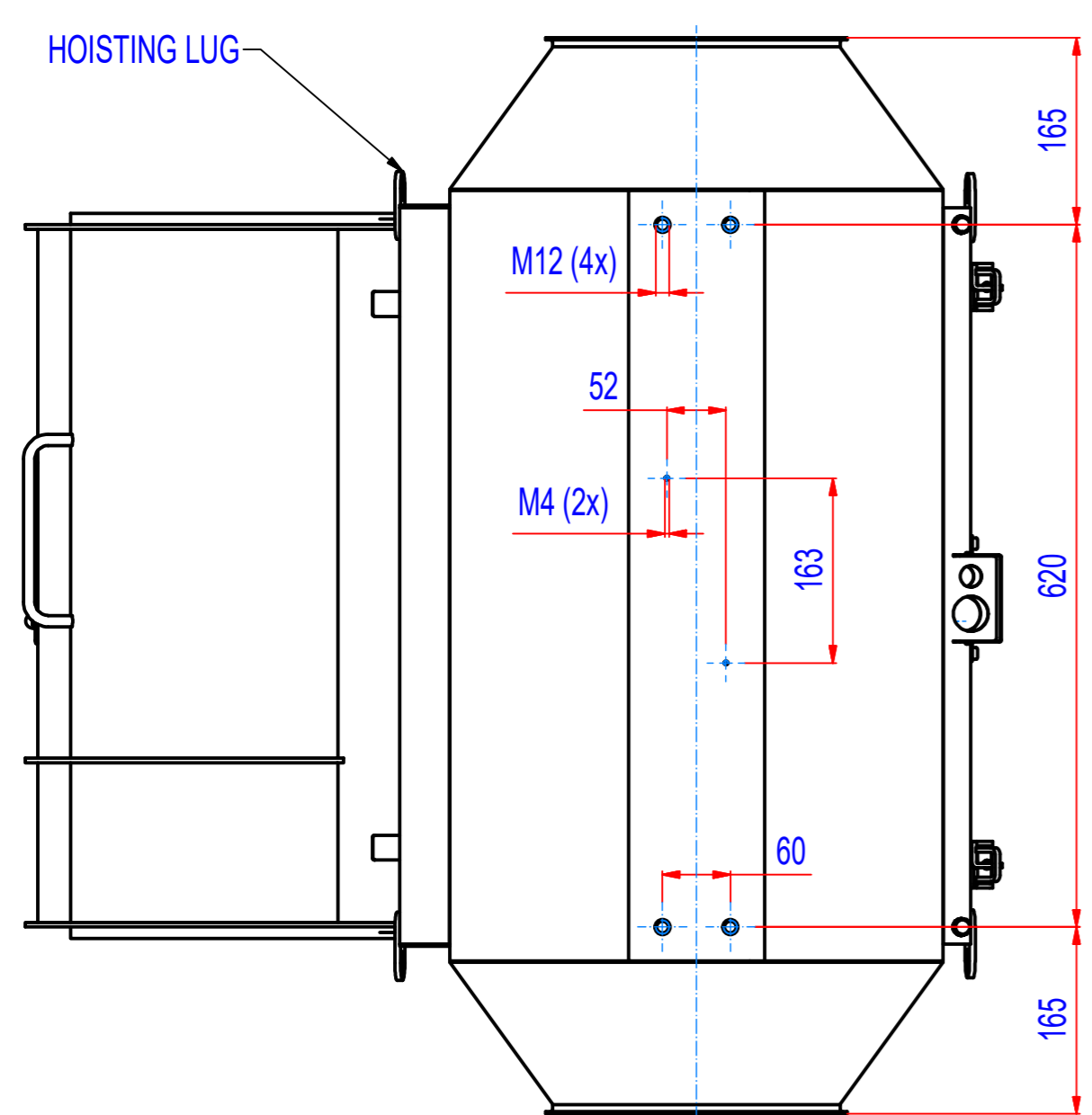


REV	BY	DATE	DESCRIPTION
-	PW	11.09.2017	New Vault, nothing changed, old rev.C



POZ./POS.	Č. SOUČÁSTI/ PART NUMBER	POPIS / DESCRIPTION	HMOT./ WEIGHT
1	A258_000000	SPPE010063	113,8
Sheet: A2 Drawn: PW Date: 11.09.2017 Predecessor:		Extra info: GOUDSMIT MAGNETIC SYSTEMS <small>© All rights reserved. Reproduction is not permitted without written permission of GOUDSMIT Magnetic Systems BV</small>	General tolerance: ISO 2768 - cL Drawn according: ISO268; ISO1101; ISO2553 Status: Customer reference number: Product key: SPP-3-TC-FJ-ST-B-BB Part number: SPPE010063 Rev: -
Quick search: XSPP 3 Description: Pipe magnet, Ferrite, PM3, type E, jacob			