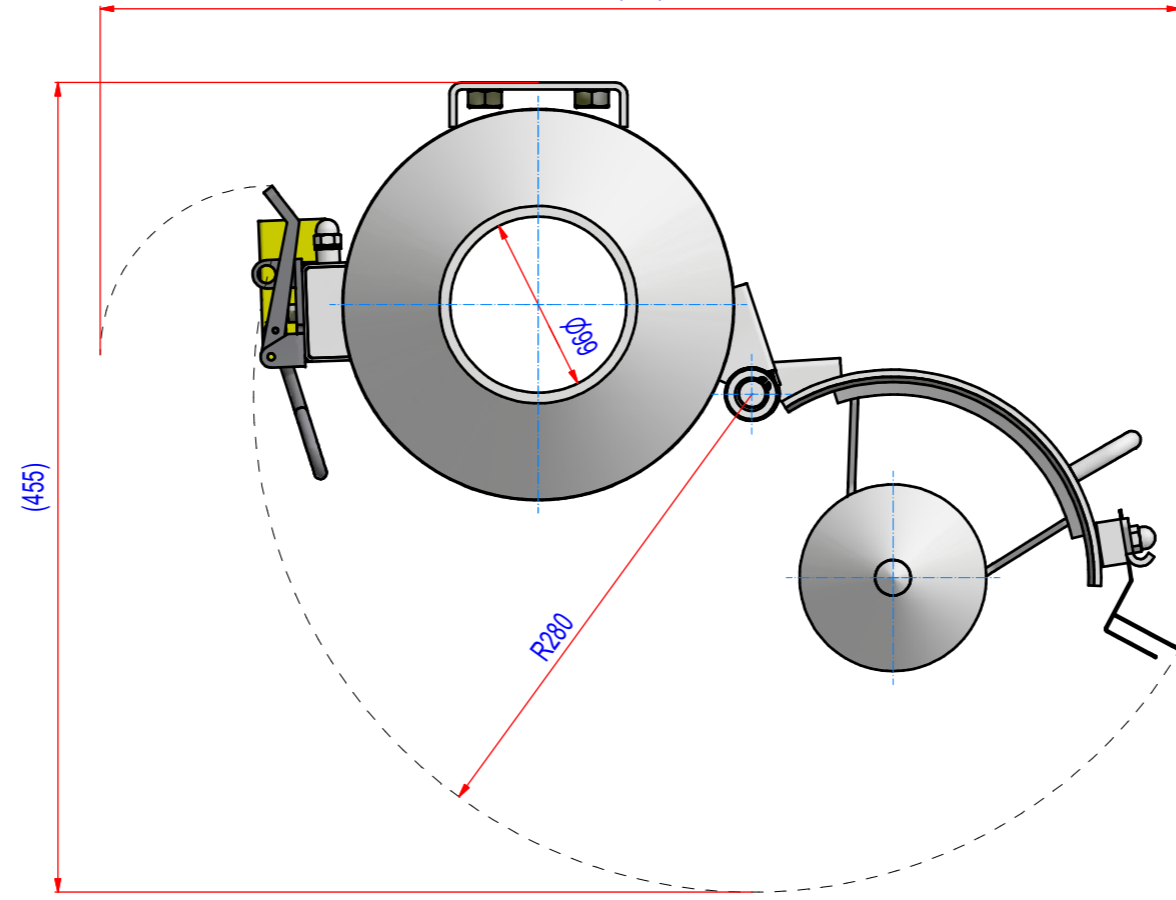
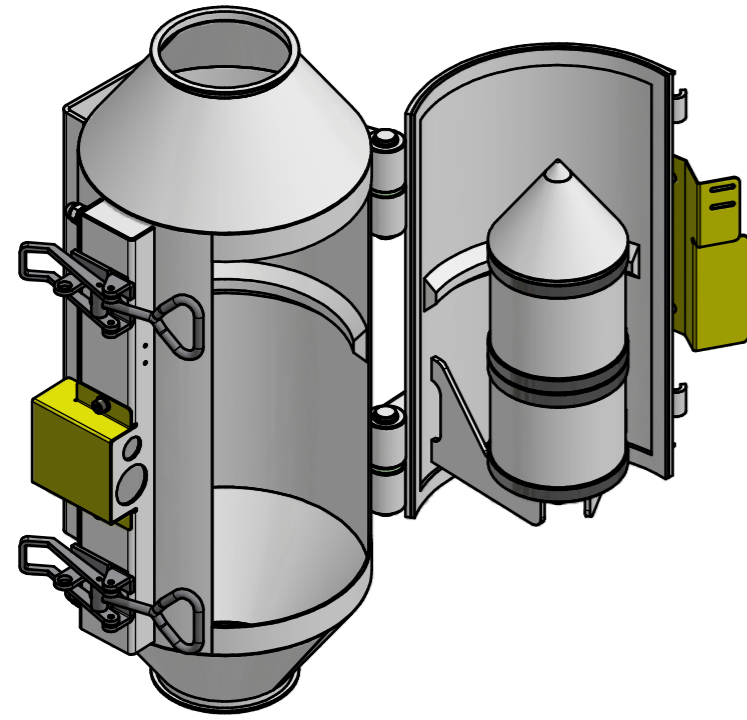
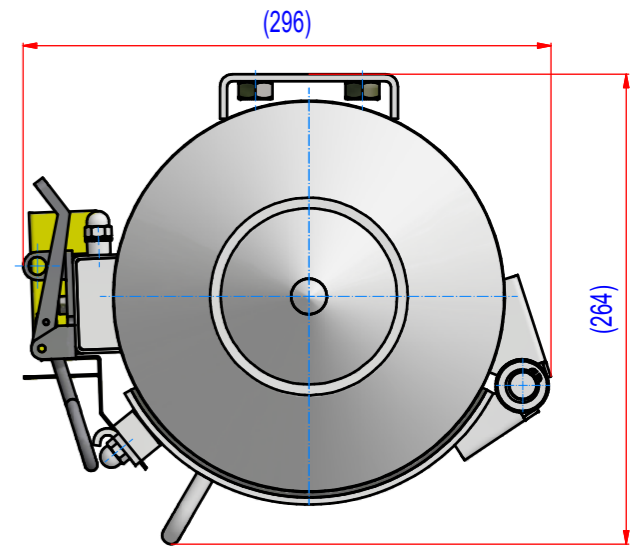
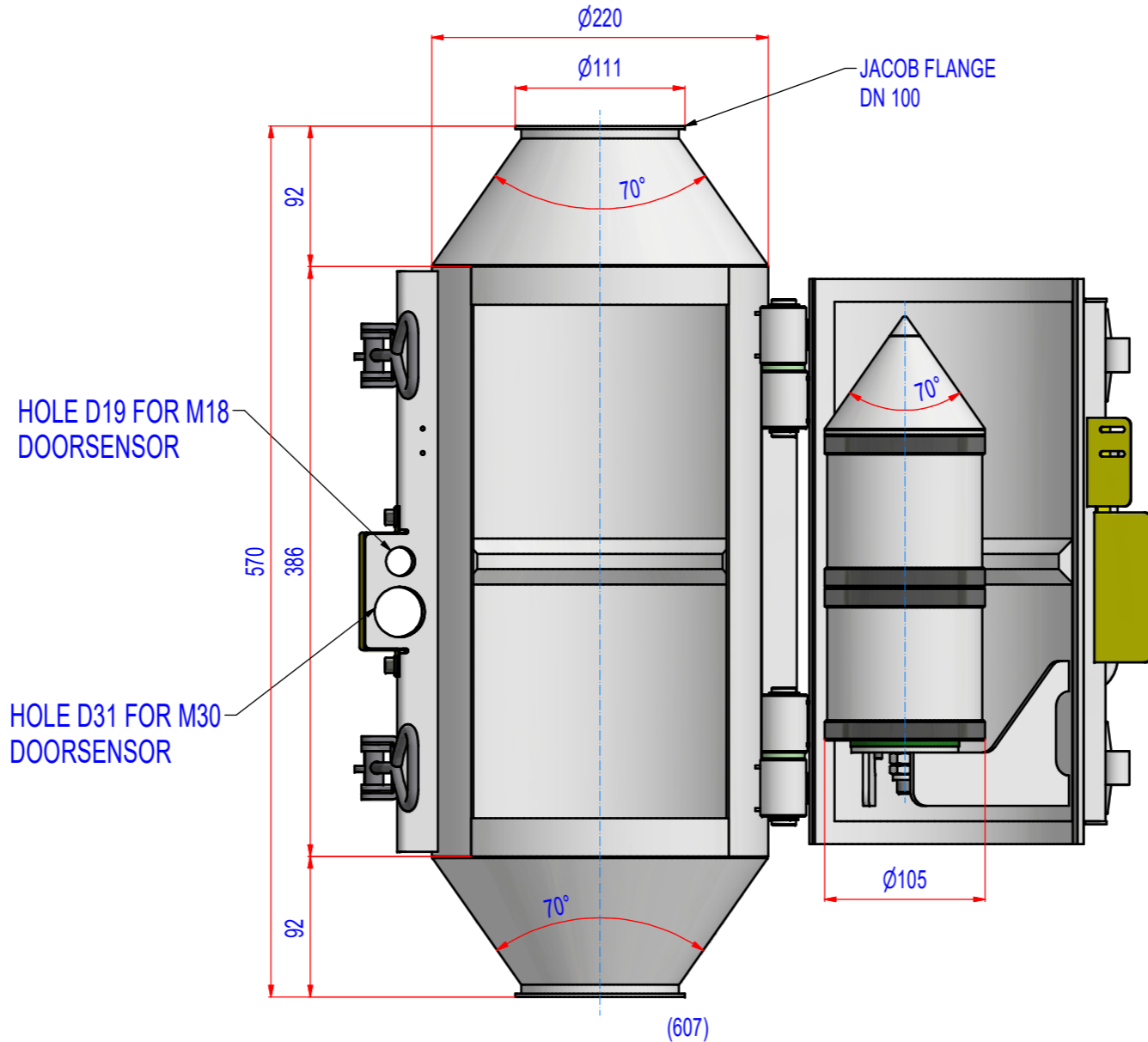
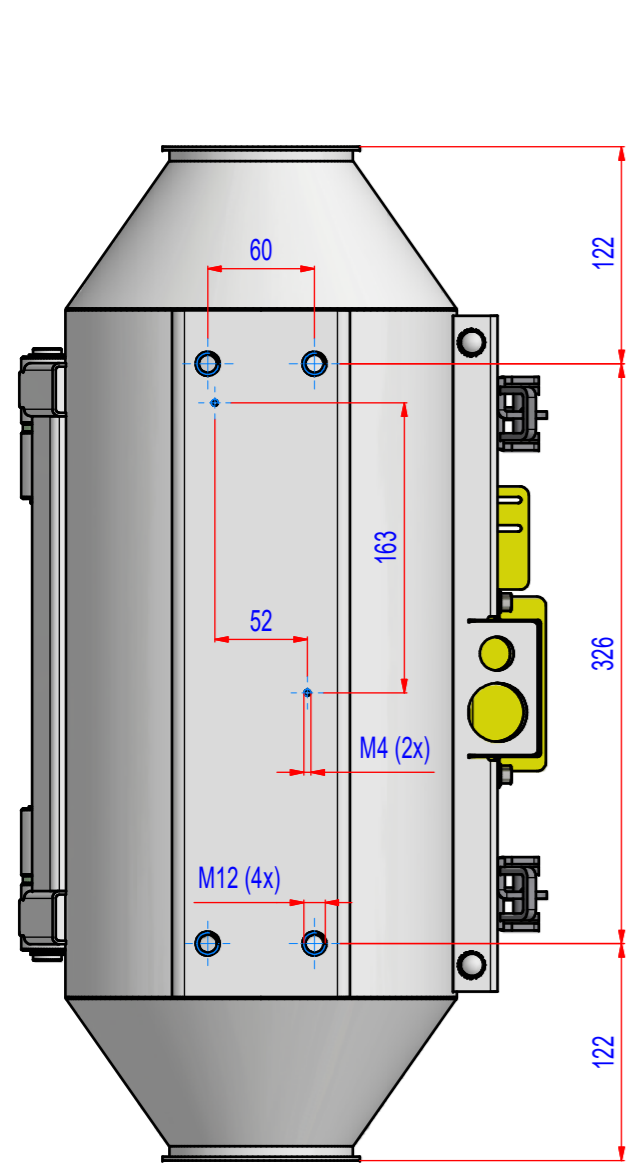


REV	BY	DATE	DESCRIPTION
-	PW	15.06.2018	New Vault, nothing changed, old rev.C



1	A496_000000	SPPE010160	23,2
POZ./POS.	Č. SOUČÁSTI/ PART NUMBER	POPIS / DESCRIPTION	HMOT./ WEIGHT
Sheet: A2	Extra info:	General tolerance: ISO 2768 - cL	
Drawn: PW	Weight (kg): 23,2	Drawn according: ISO268; ISO1101; ISO2553	
Date: 15.06.2018	Predecessor:	Status:	
<p>© All rights reserved. Reproduction is not permitted without written permission of GOUDSMIT Magnetic Systems BV</p>		Customer reference number:	
		Product key: SPP-0-TC-FJ-S4-B-BB	
Quick search: XSPP 0		Part number: SPPE010160	
Description: Pipe magnet, Ferrite, PM0, type E, Jacob flange		Rev: -	