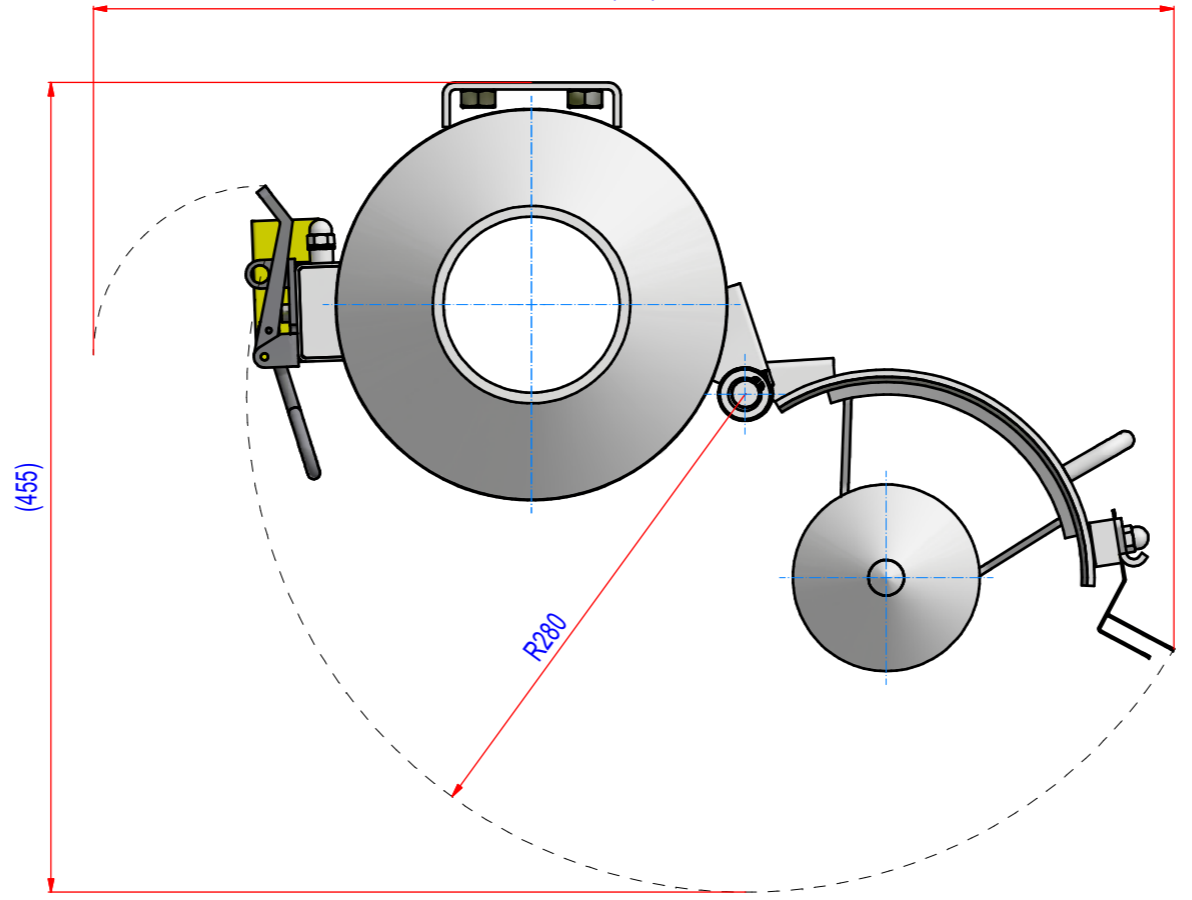
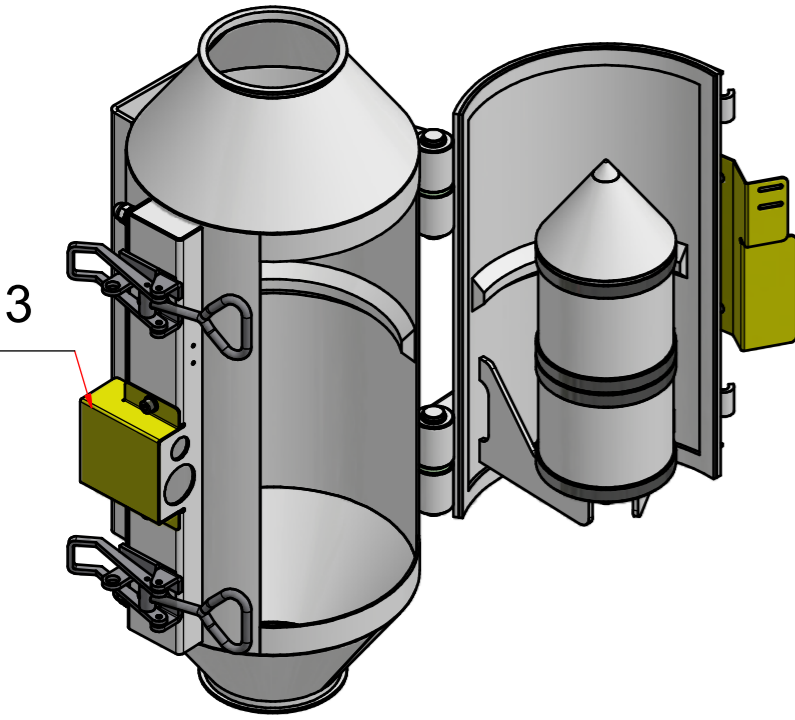
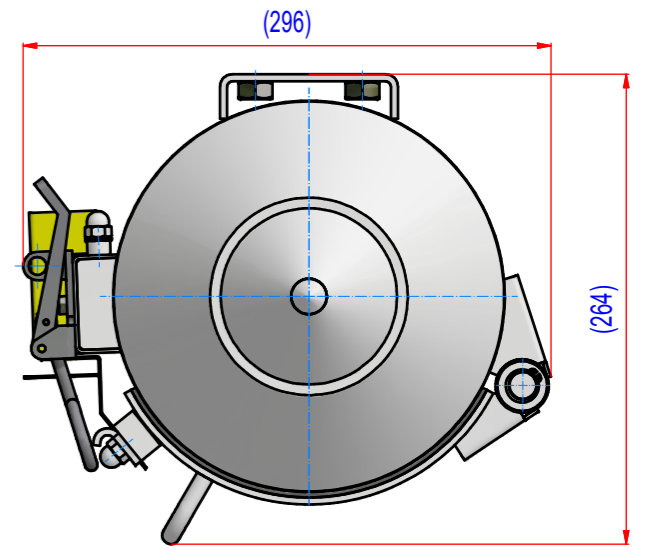
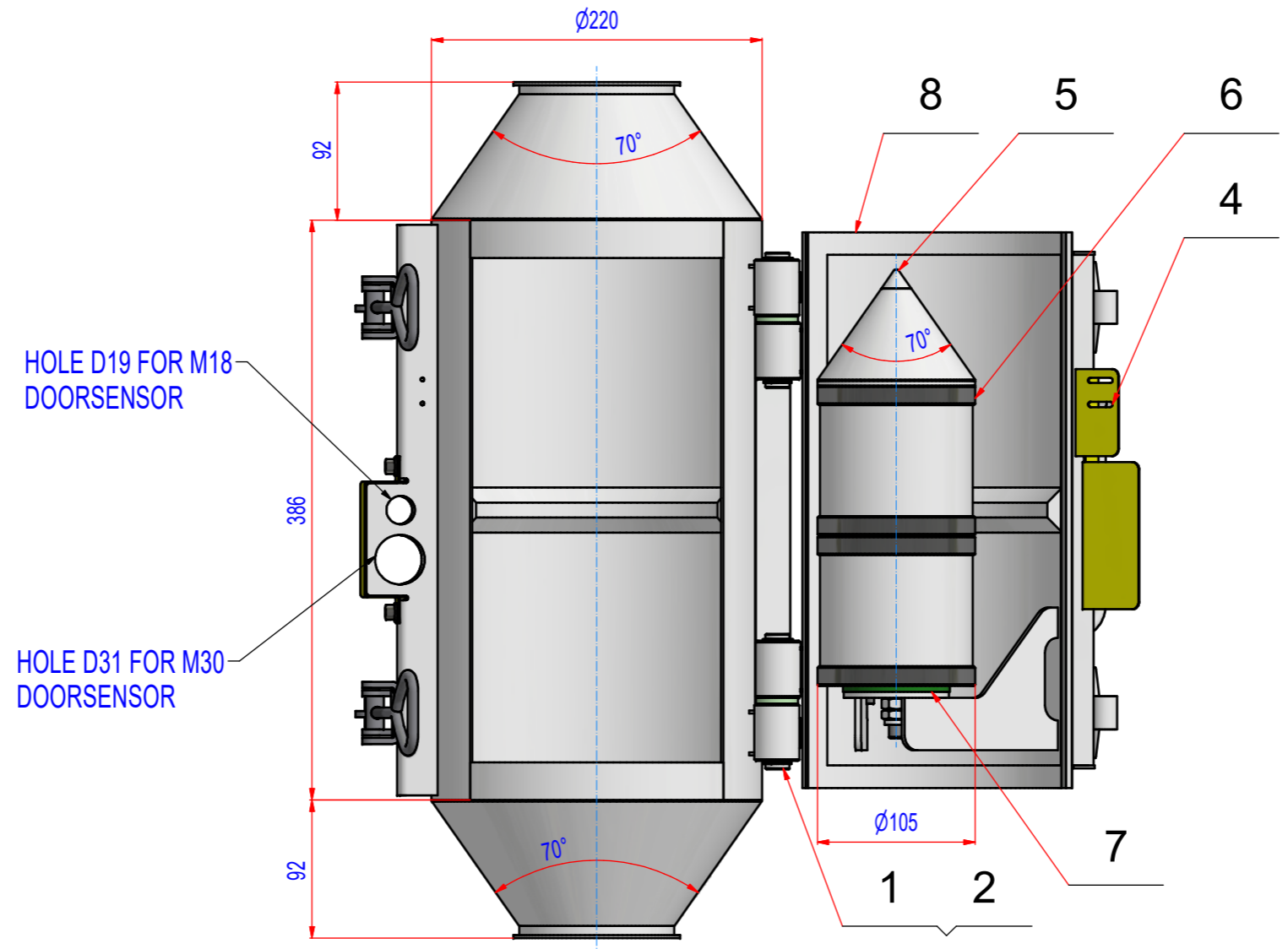
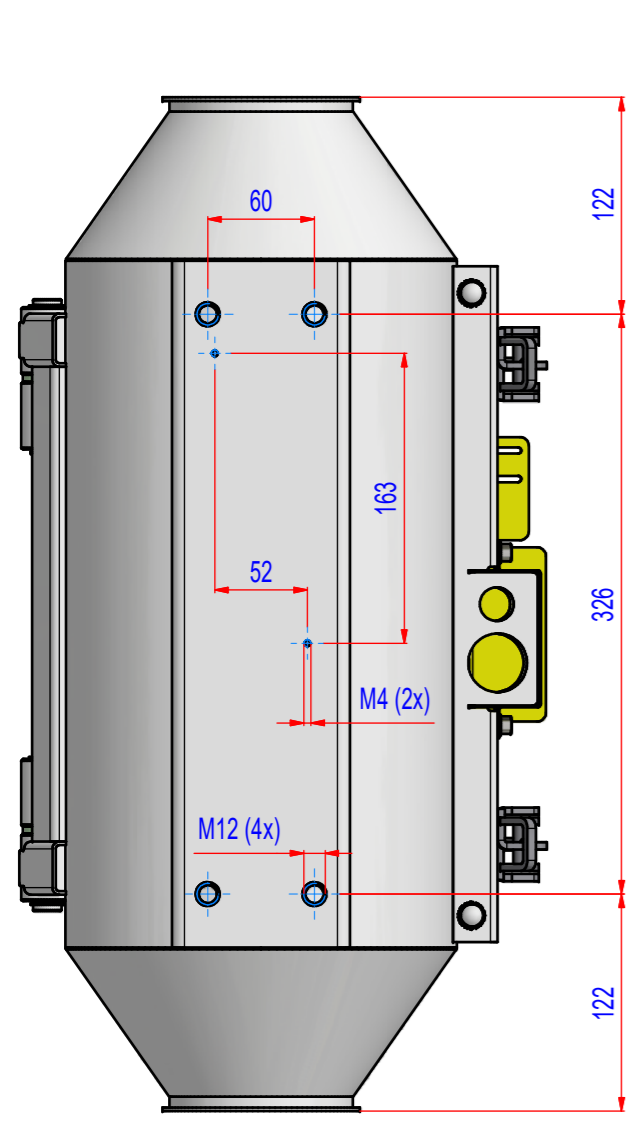


REV	BY	DATE	DESCRIPTION
-	PW	15.06.2018	New Vault, nothing changed, old rev.B



POZ.	Č. SOUČÁSTI	POPIS	MATERIÁL	HMOT.	MN.
8	G59_00004	Band 15x5 for PM0, L=1,2m	Silikon	0,1	1
7	G59_020012	Slide pad magnet	BELTA F	0	1
6	G59_030000	Magnetic core PM0		8	1
5	G59_030300	Cone PM0	AISI304	0,4	1
4	G59_000002	Sensor plate	AISI304	0,1	1
3	G32_010302	Cover for sensor	AISI304	0,1	1
2	G80_010007	Washer wear PM1	POLYAMID PA6	0	2
1	G80_010006	Hinge pin	AISI304	0,1	2

Sheet: A2	Extra info:	General tolerance: ISO 2768 - cL
Drawn: PW	Weight (kg): 23,2	Drawn according: ISO268; ISO1101; ISO2553
Date: 15.06.2018		Status:
Predecessor:		Customer reference number:
Quick search: XSPP 0	<p>© All rights reserved. Reproduction is not permitted without written permission of GOUDSMIT Magnetic Systems BV</p>	Product key: SPP-0-TC-FJ-S4-B-BB
Description: Spare parts for SPPE010160		Part number: SPPE010160_SP