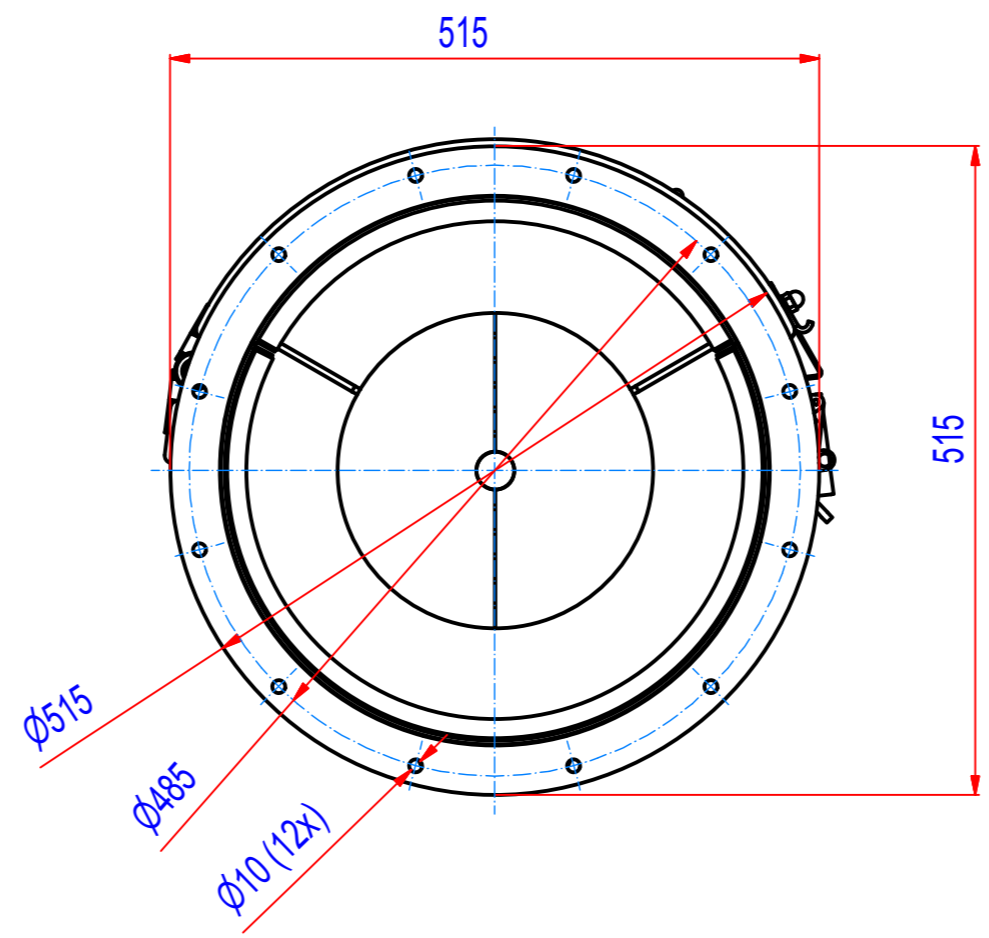
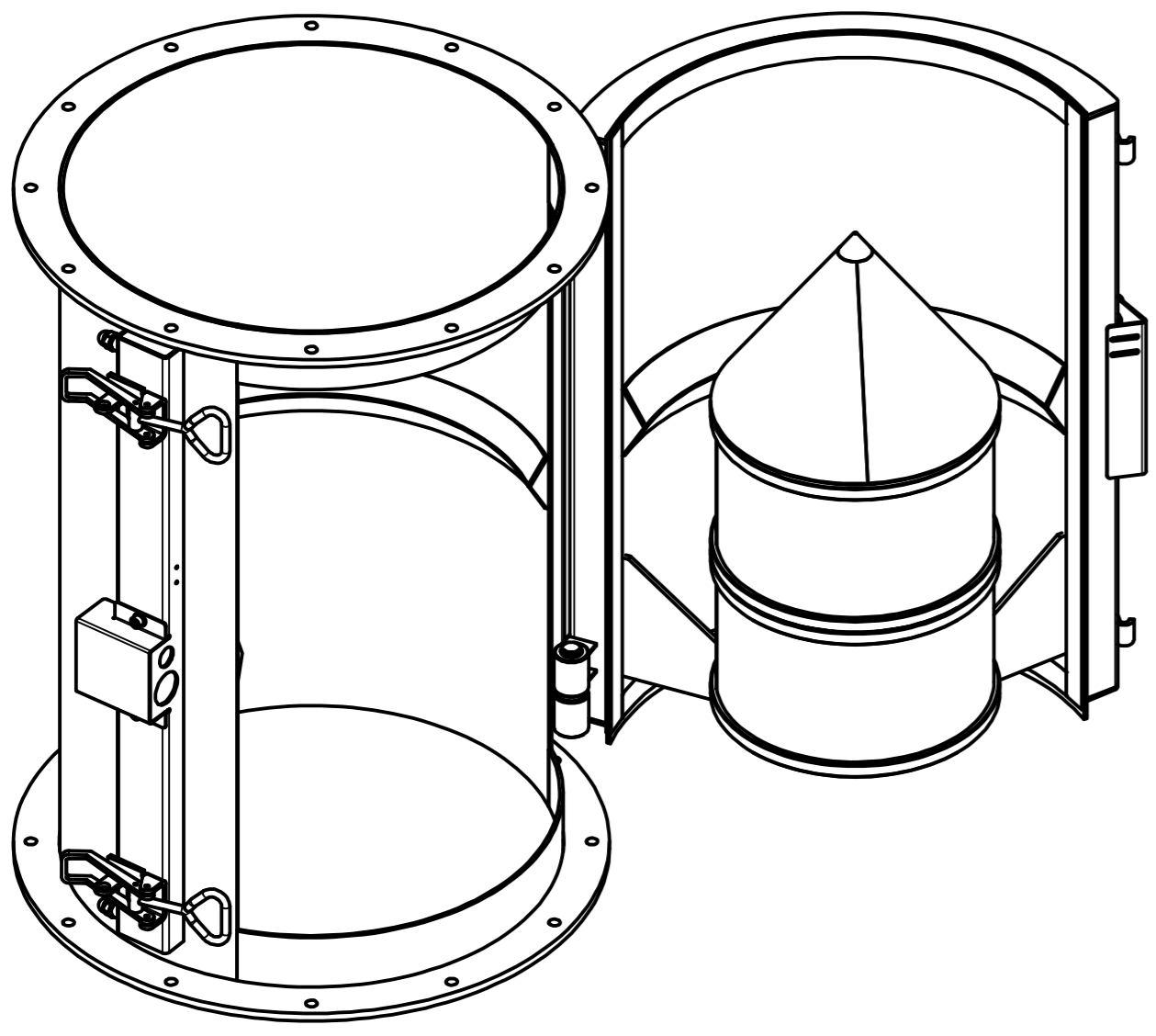
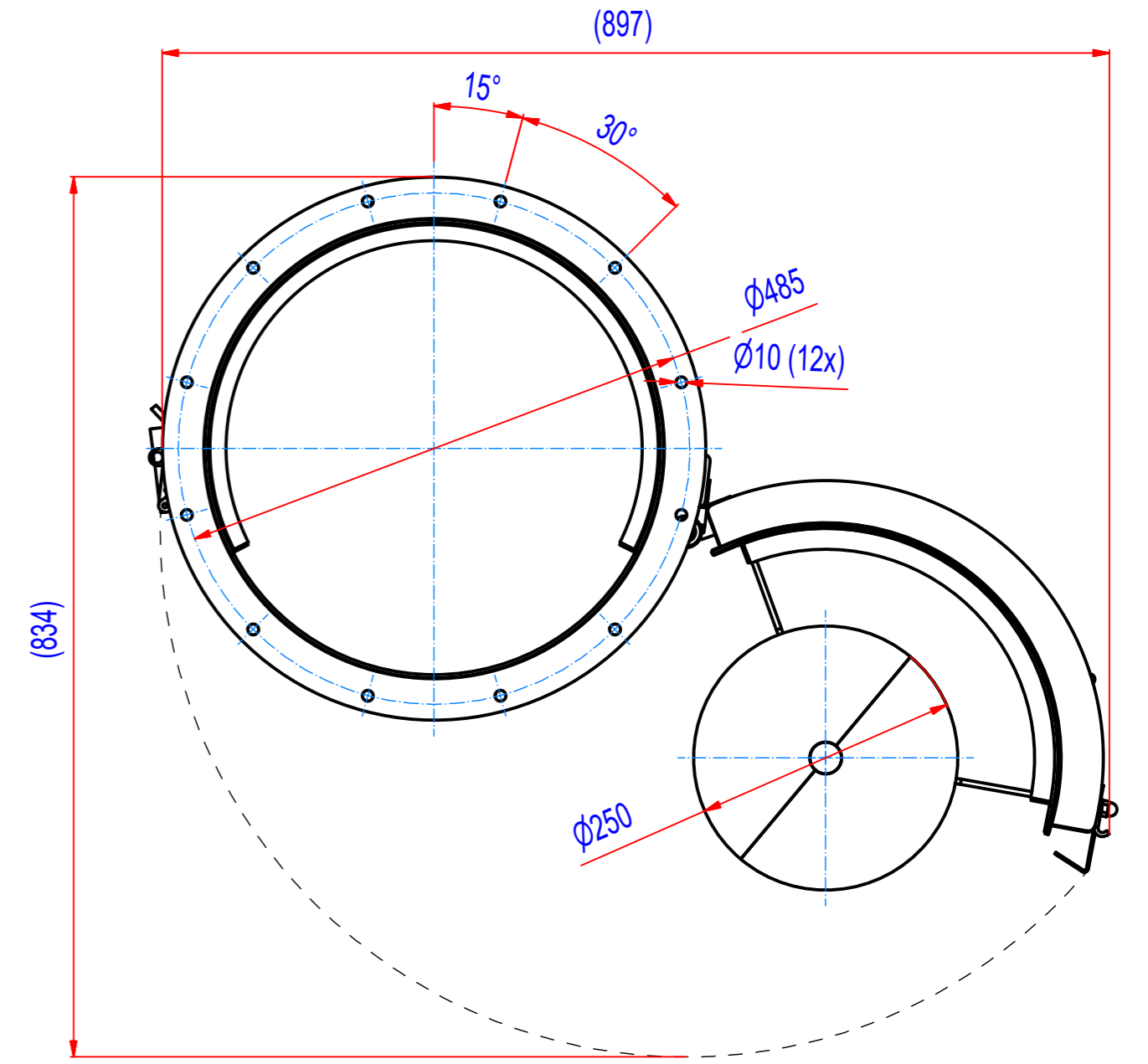
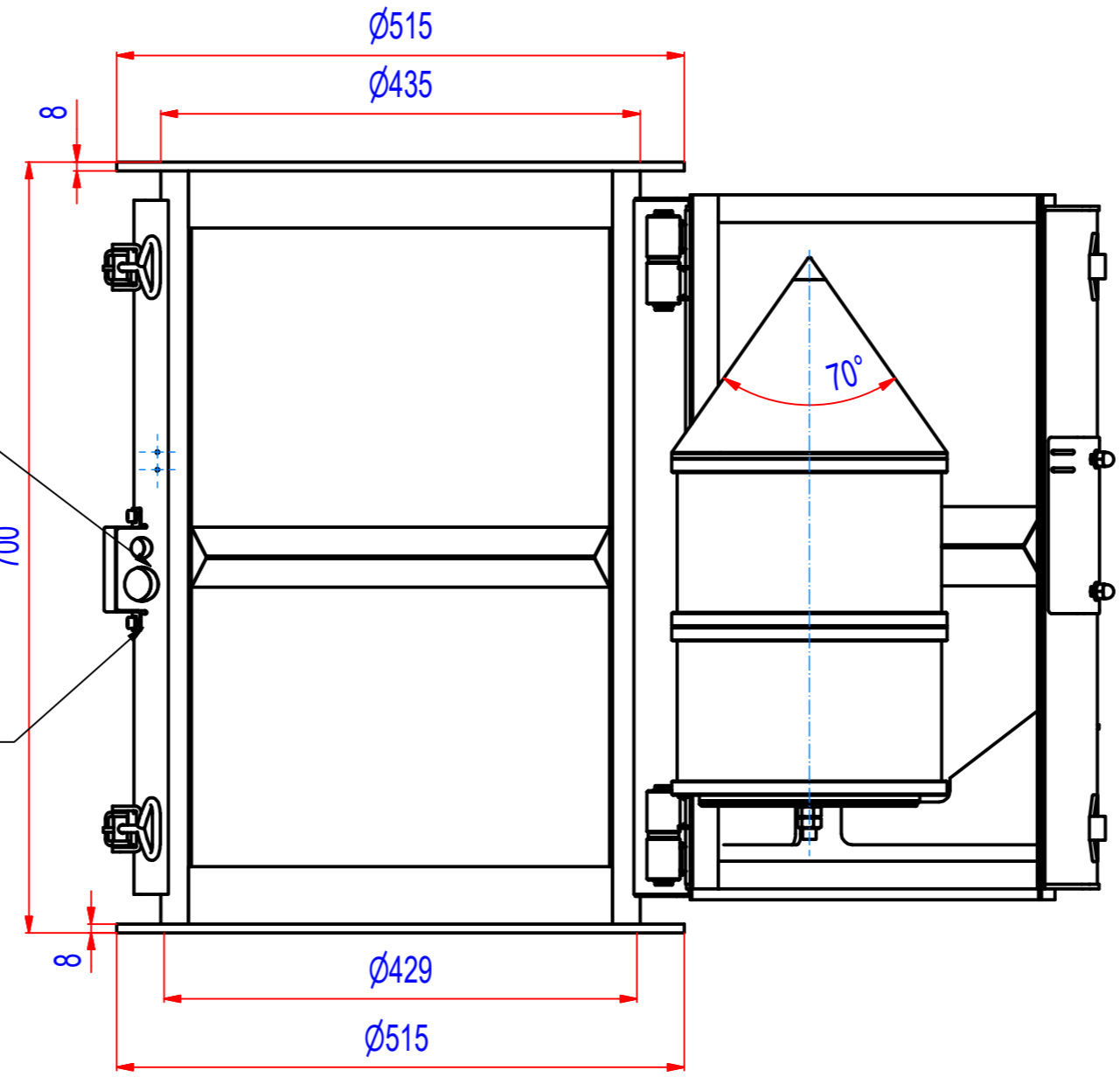
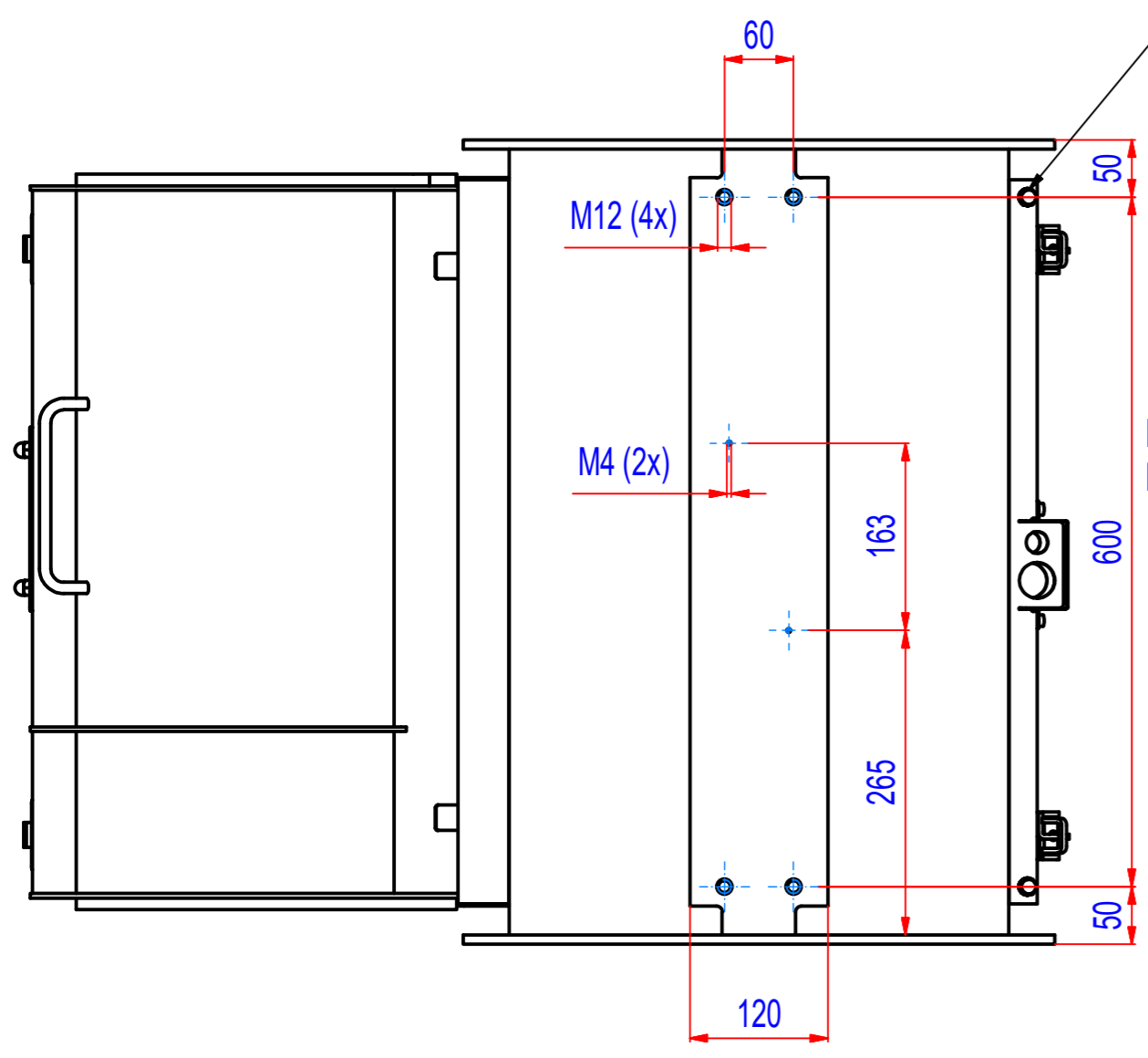


| REV | BY | DATE | DESCRIPTION |
|-----|----|------------|---------------------------------------|
| - | PW | 11.05.2017 | New Vault, nothing changed, old rev.C |

A ↓

A(1:6)



| POZ./POS. | Č. SOUČÁSTI/ PART NUMBER | POPIS / DESCRIPTION | HMOT./ WEIGHT |
|--|--------------------------|--|---|
| 1 | A150_000000 | Permanent pipe magnet | 115,6 |
| Sheet: A2 Drawn: PW Date: 11.05.2017 Predecessor: | | Extra info: GOUDSMIT MAGNETIC SYSTEMS <small>© All rights reserved. Reproduction is not permitted without written permission of GOUDSMIT Magnetic Systems BV</small> | General tolerance: ISO 2768 - cL Drawn according: ISO268; ISO1101; ISO2553 Status: Customer reference number: Product key: SPP-3-FC-FO-ST-B-BB Part number: SPPF000063 Rev: - |
| Quick search: XSPP 3 Description: Pipe magnet, Ferrite, PM3, Type F | | | |