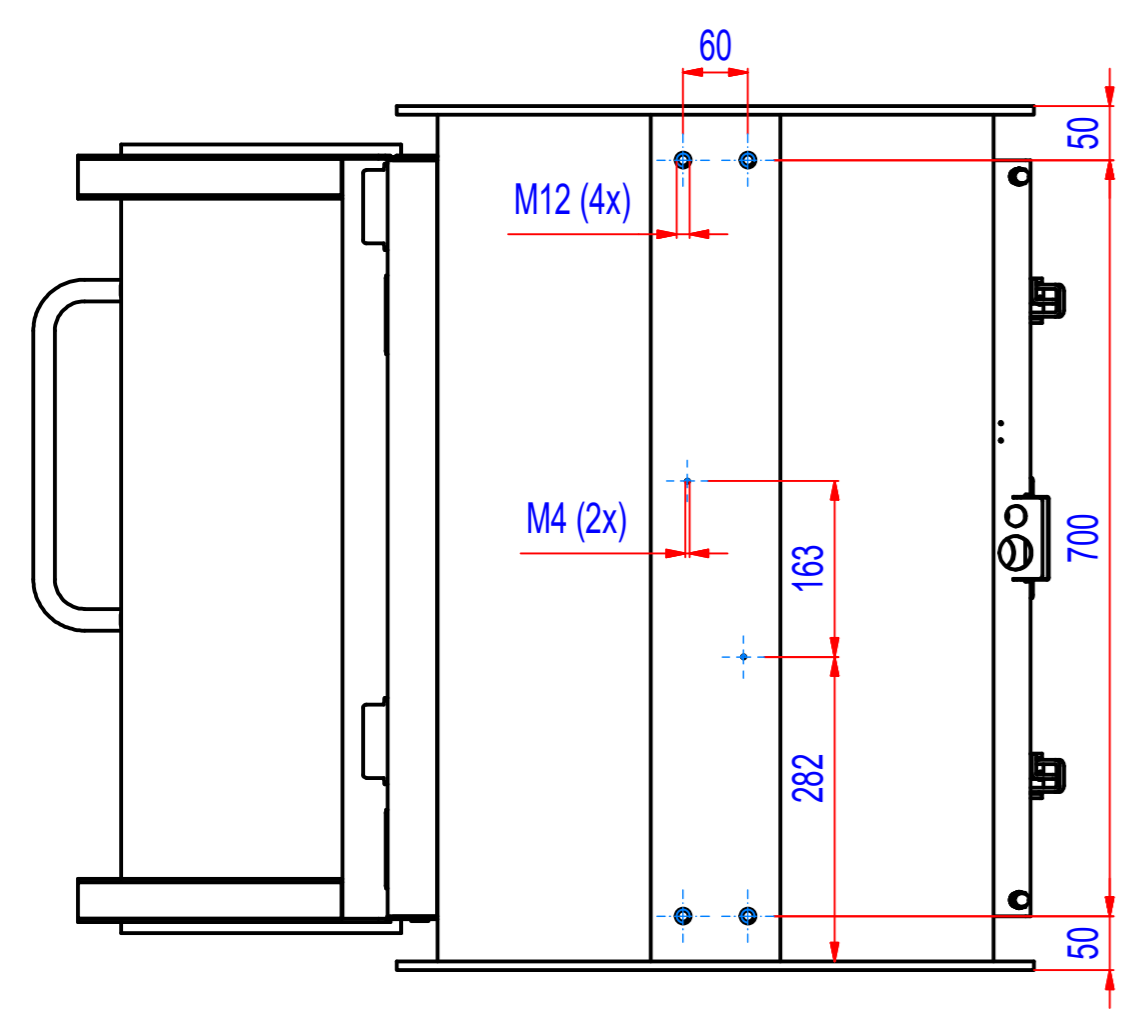
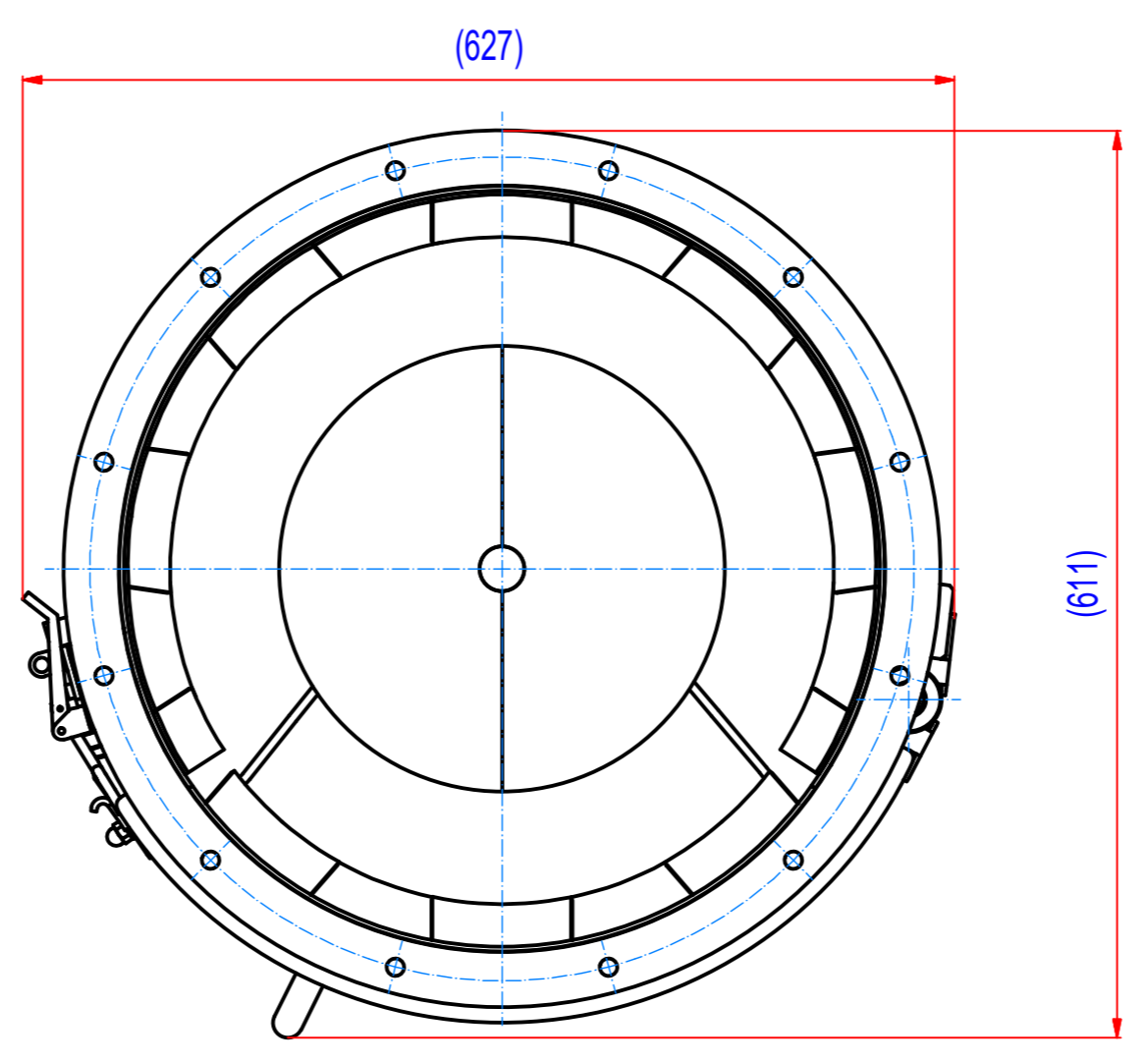
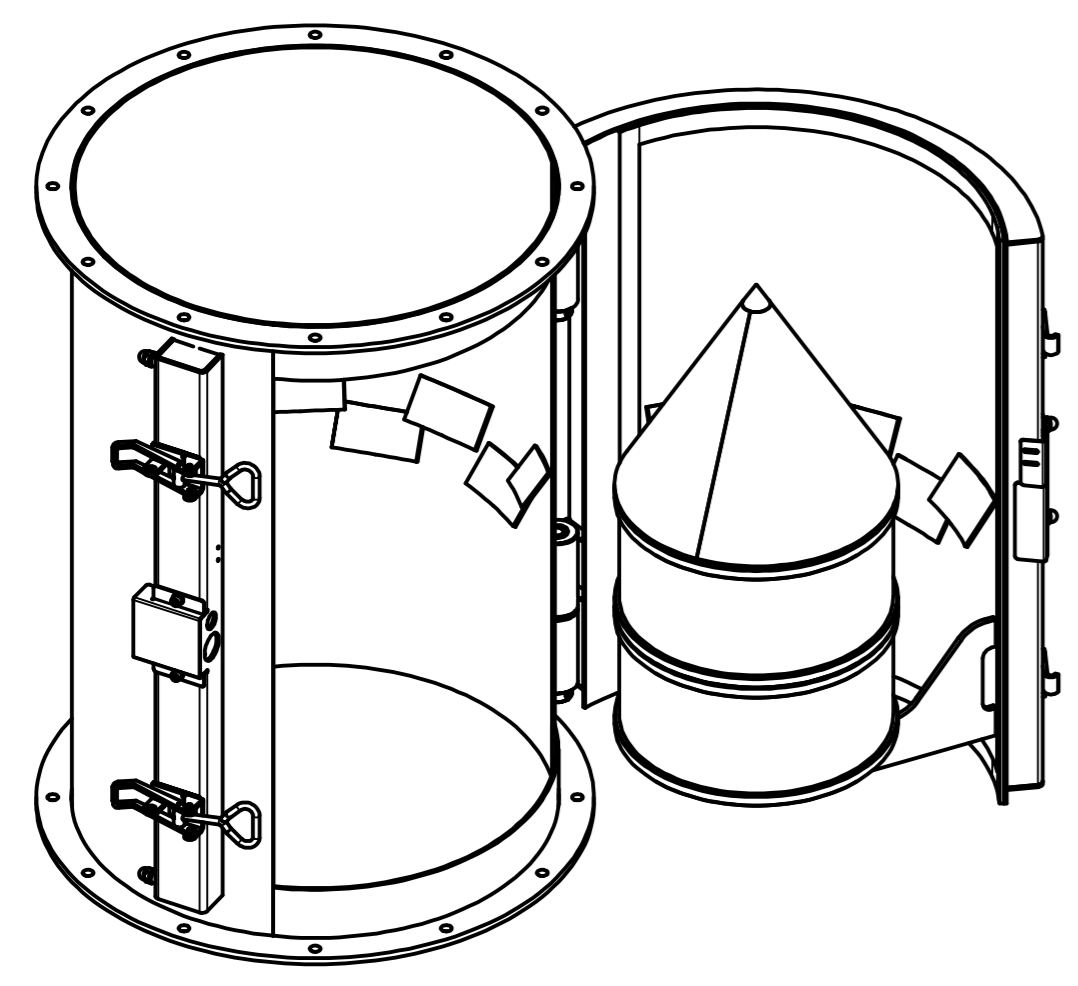
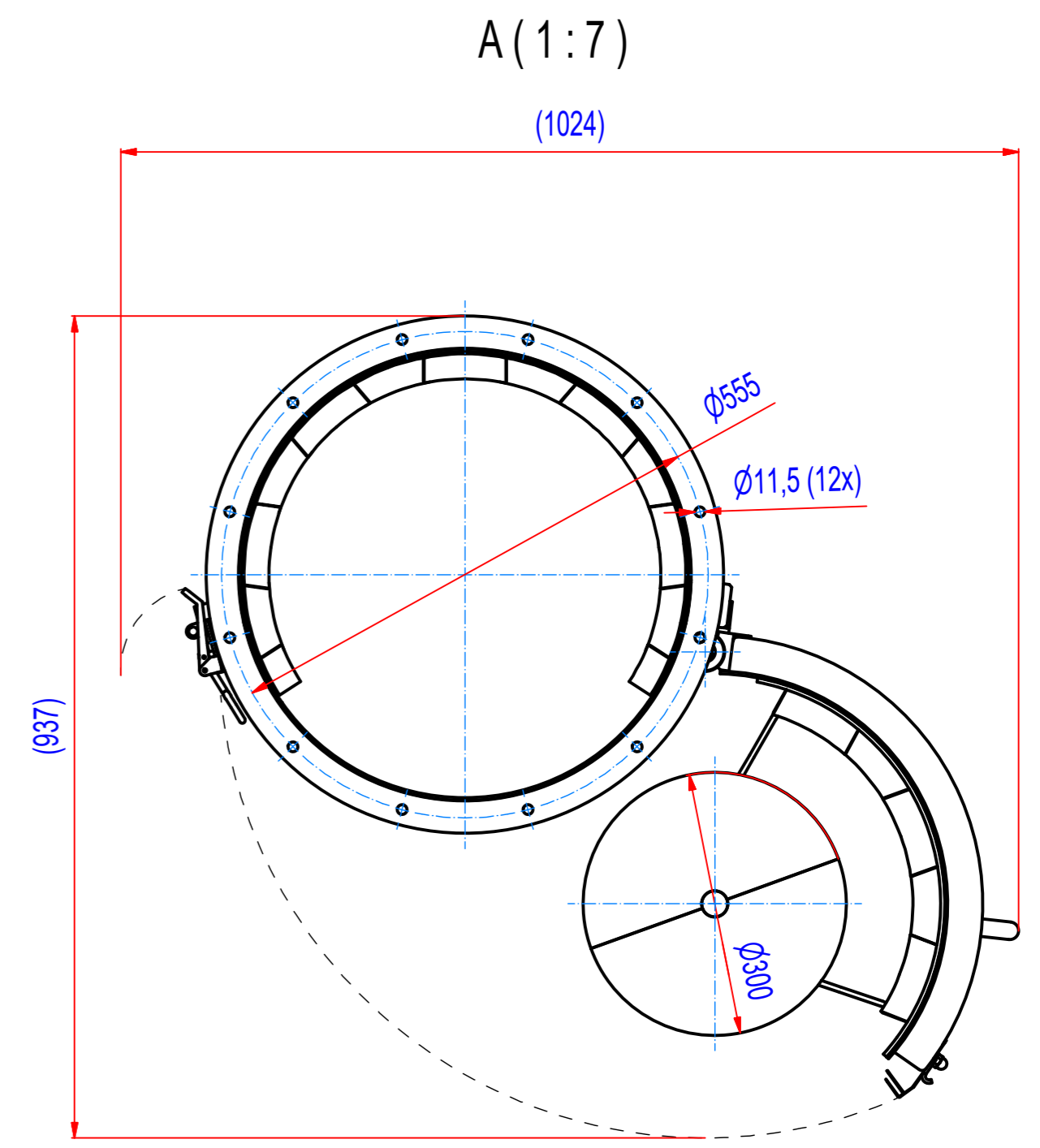
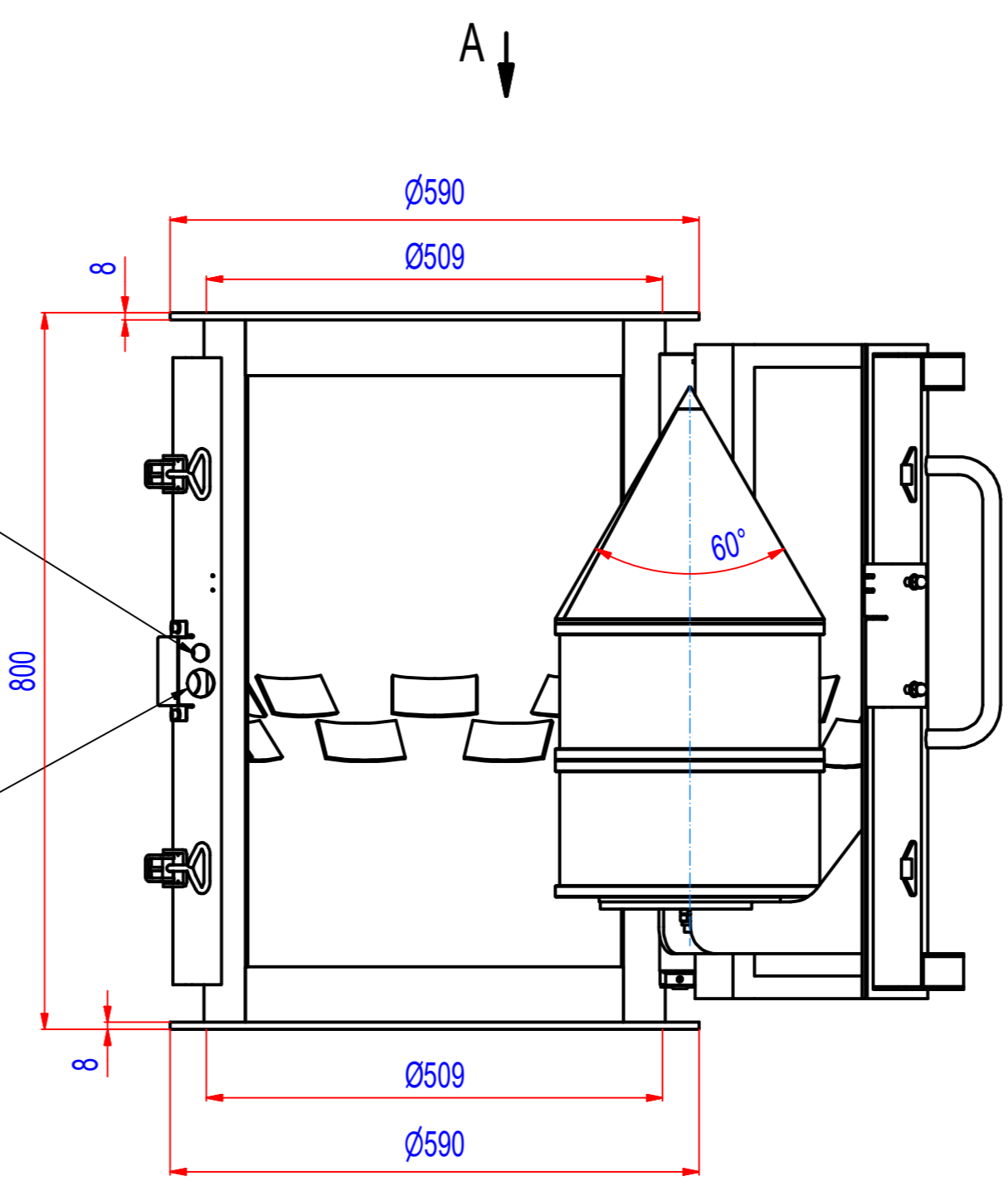


REV	BY	DATE	DESCRIPTION
-	PW	27.07.2017	New Vault, nothing changed, old rev.C



HOLE D19 FOR M18 DOORSENSOR

HOLE D31 FOR M30 DOORSENSOR



1	A216_000000	SPPF000064	175,6
POZ./POS.	Č. SOUČÁSTI/ PART NUMBER	POPIS / DESCRIPTION	HMOT./ WEIGHT
Sheet: A2 Drawn: PW Date: 27.07.2017 Predecessor:	Weight (kg): 175,6 <small>© All rights reserved. Reproduction is not permitted without written permission of GOUDSMIT Magnetic Systems BV</small>	General tolerance: ISO 2768 - cL Drawn according: ISO268; ISO1101; ISO2553 Status: Customer reference number: Product key: SPP-4-FC-FO-ST-B-BB Part number: SPPF000064	Rev: -
Description: Pipe magnet, Ferrite, PM4, type F			