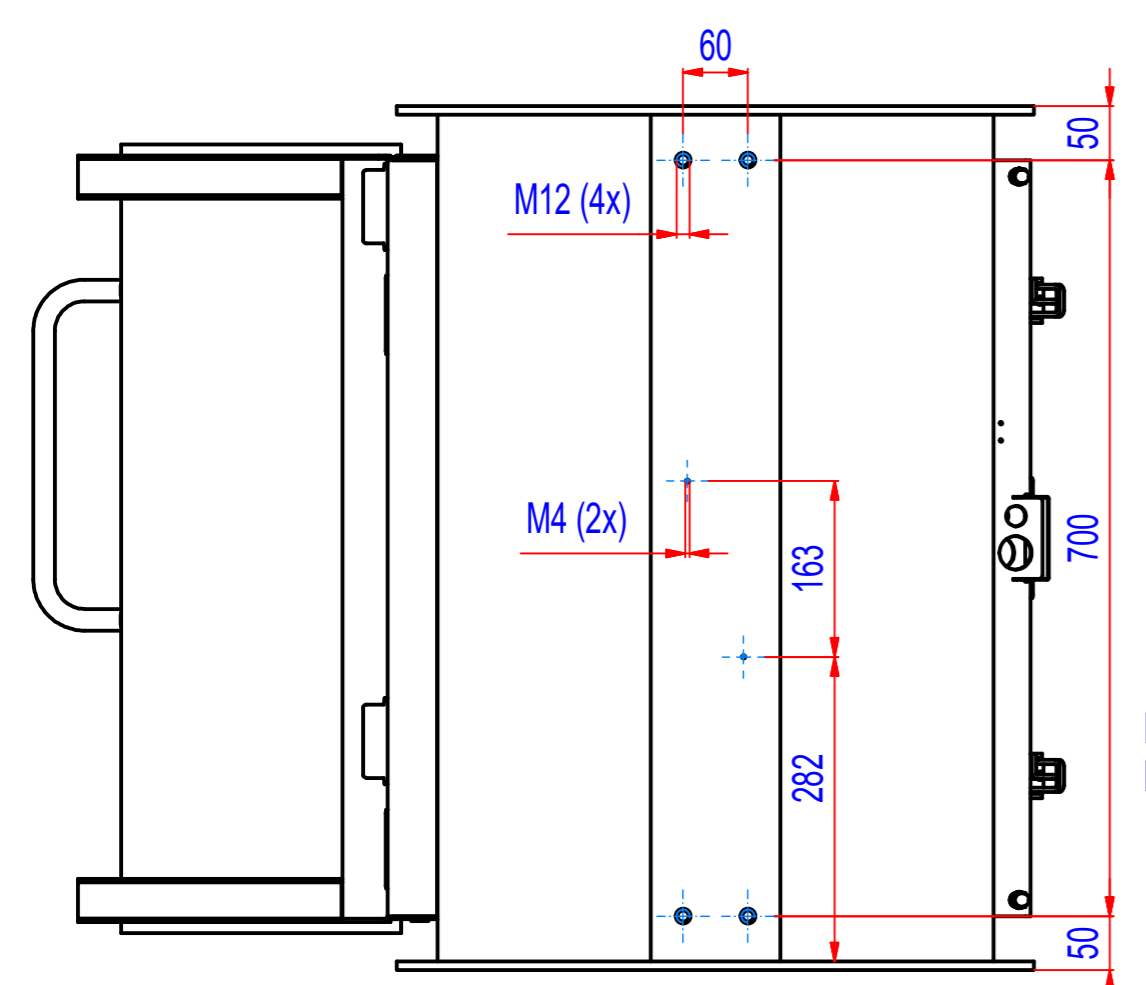
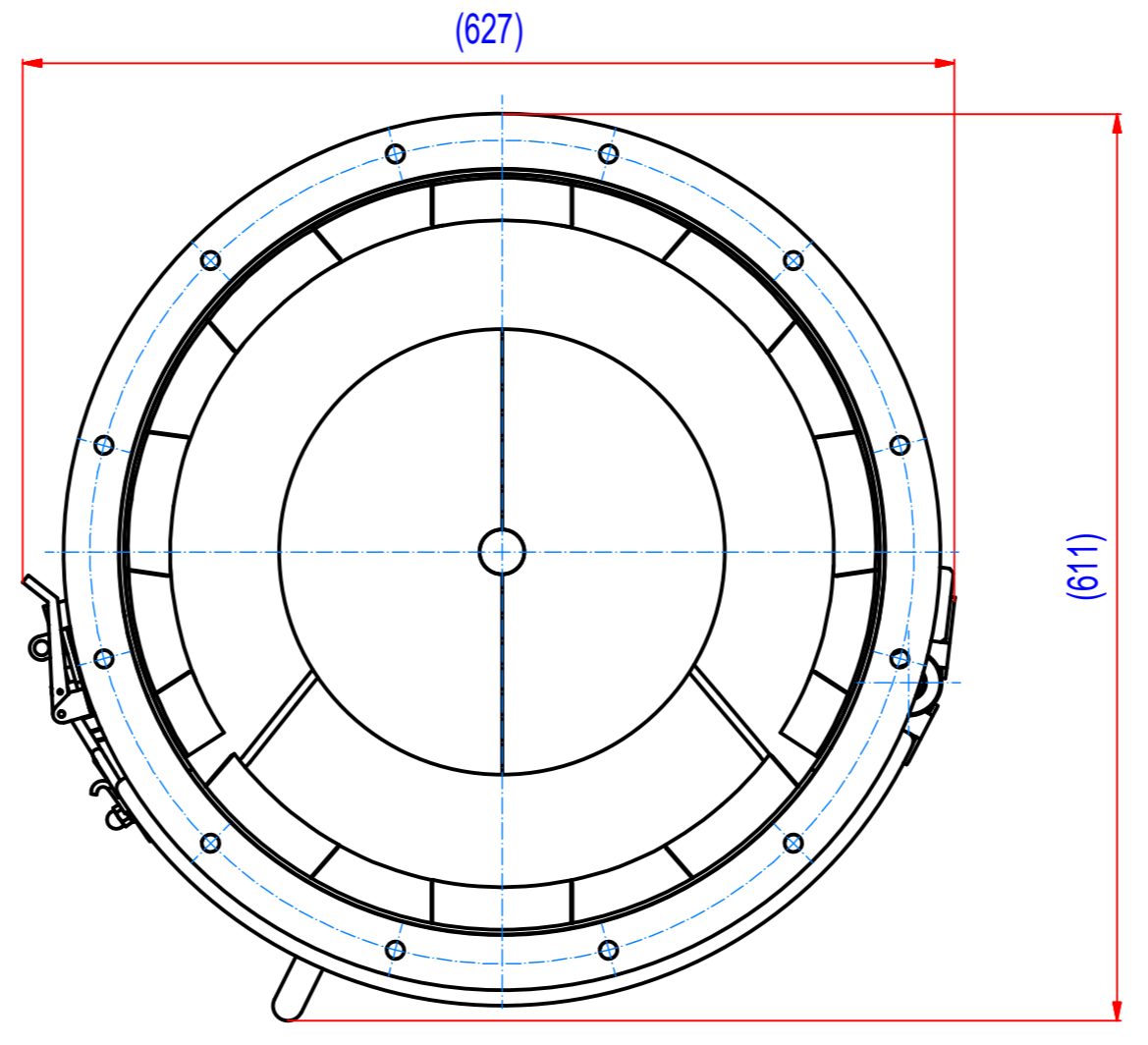
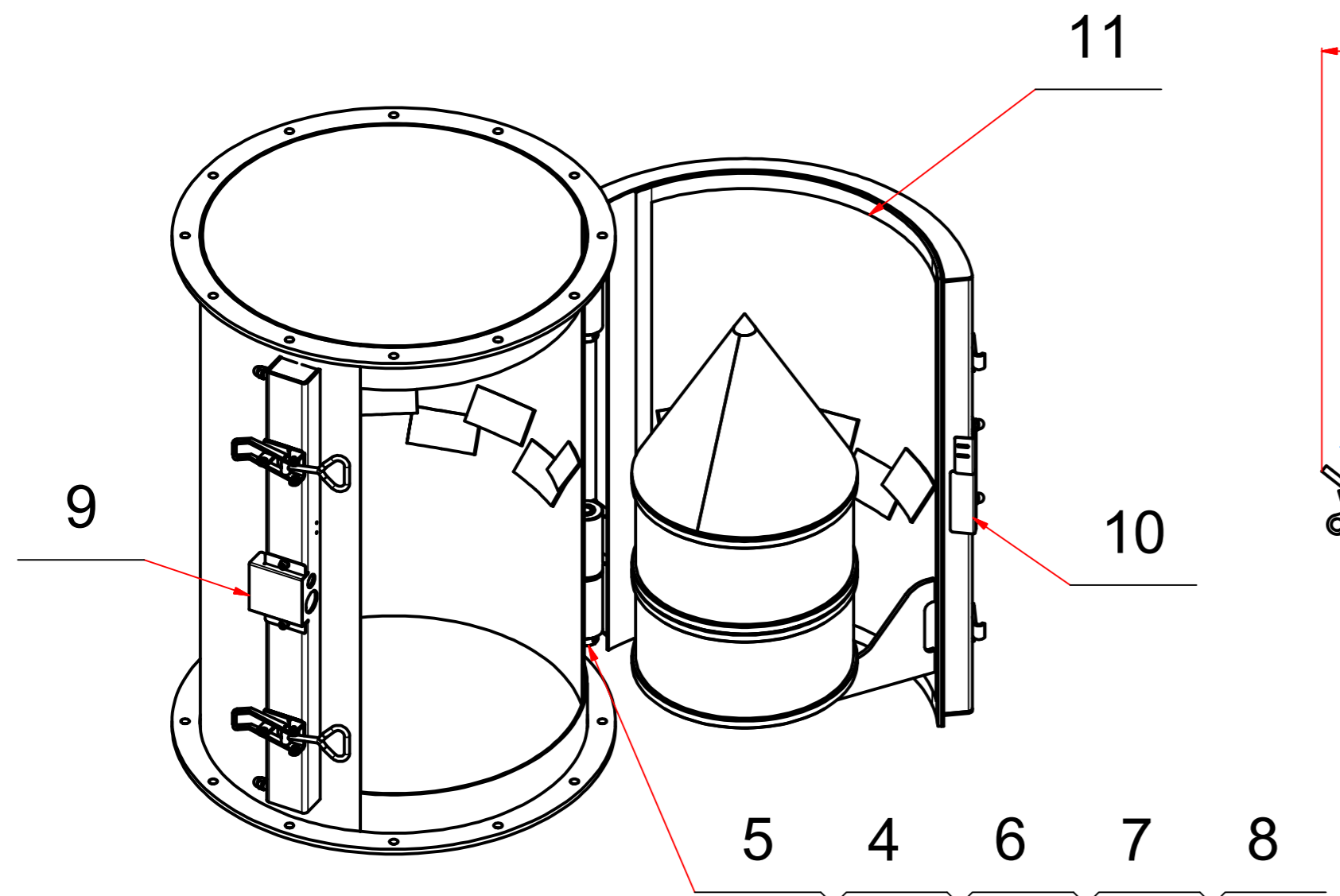
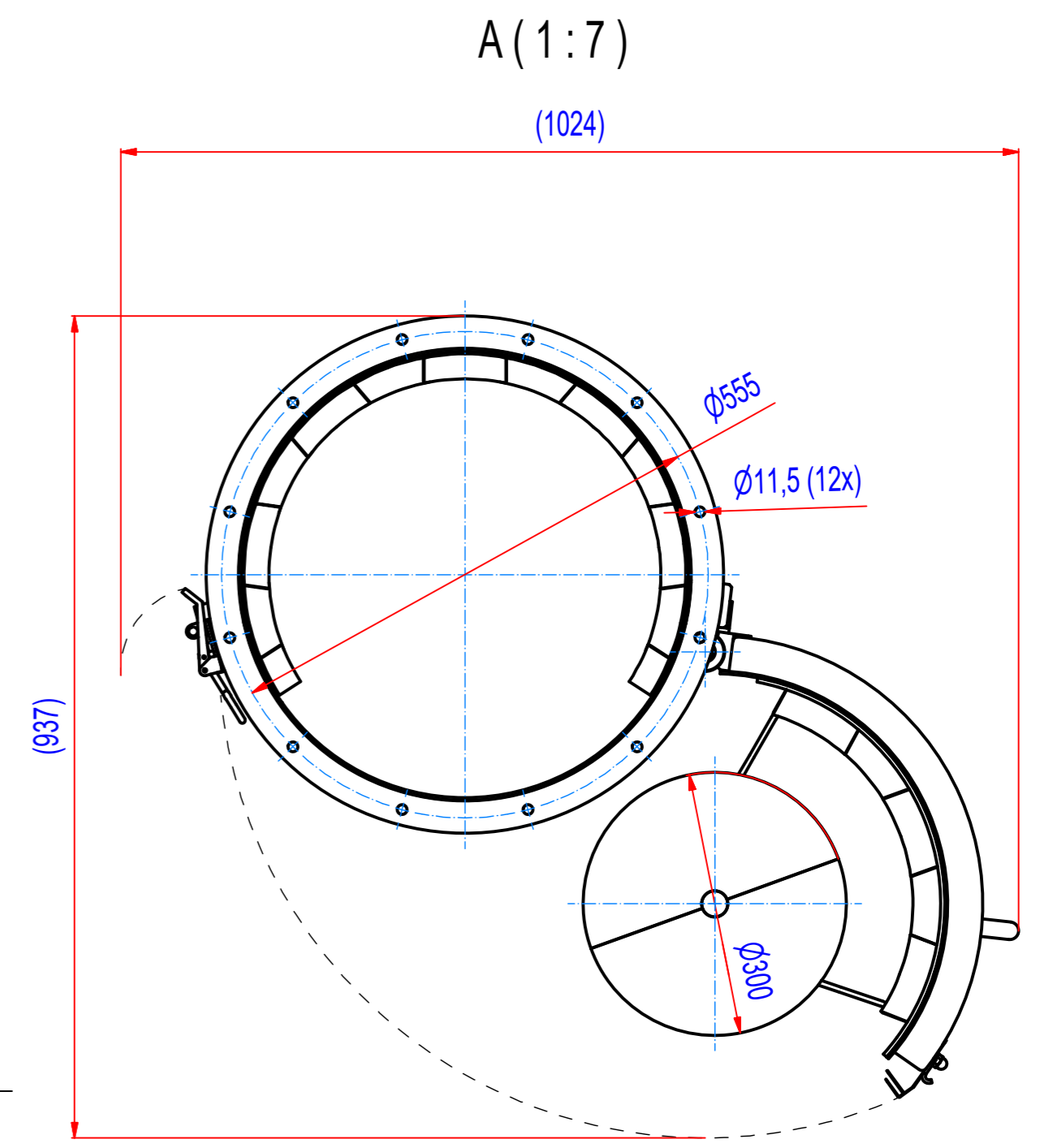
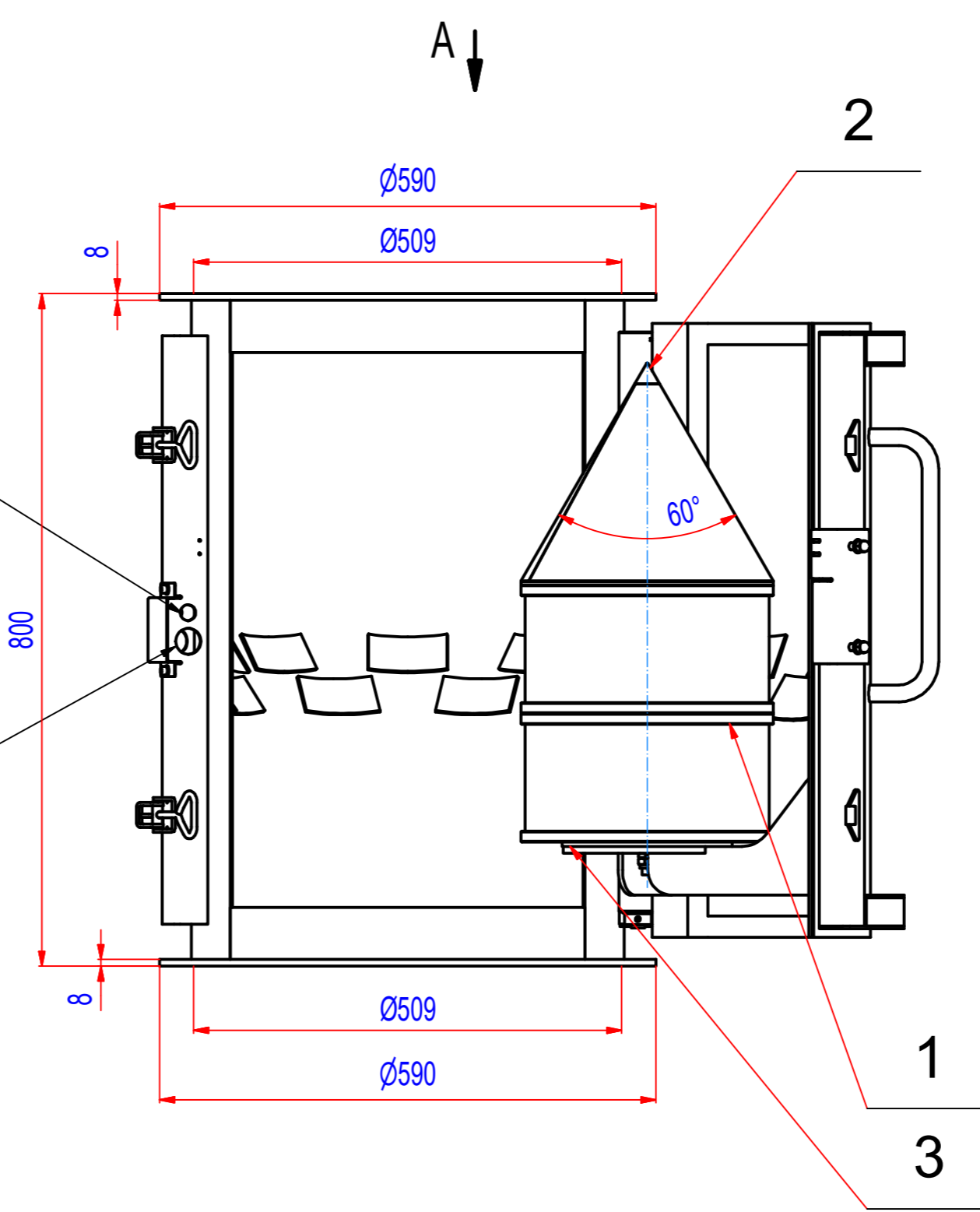


REV	BY	DATE	DESCRIPTION
-	PW	27.07.2017	New Vault, nothing changed, old rev.C



HOLE D19 FOR M18 DOORSENSOR
HOLE D31 FOR M30 DOORSENSOR



POZ.	Č. SOUČÁSTI	POPIS	MATERIÁL	HMOT.	MN.
11	A080_000001	Band PM4, 25x5, L=2,5m	Silikon	0,4	1
10	G35_020006_C	Sensor plate	S235JR (11373)	0,1	1
9	G35_010202	Cover for sensor	AlSi304	0,1	1
8	G66_020001	Hinge pin PM5	S355 (11523)	0,5	2
7	15_1151204	Bearings 51204	Default	0	2
6	15_9000082	Trust Washer GTM-2036-015	Iglidur	0	2
5	70_6000020	Set collar 20x32x14	CS	0,1	2
4	15_9000058	Closed Linear plain Bearing GFM-2023-21	Plast S	0	4
3	A094_000001	Slide pad	BELTA F	0,1	1
2	D05_030100	Cone for PM4 60°	AlSi304	4,6	1
1	G35_030000_B	Magnet core PM4, 60 dgr		105	1

Sheet: A2 Drawn: PW Date: 27.07.2017 Predecessor: Quick search: Description: Pipe magnet, Ferrite, PM4, type F	Extra info: © All rights reserved. Reproduction is not permitted without written permission of GOUDSMIT Magnetic Systems BV	General tolerance: ISO 2768-cL Drawn according: ISO268; ISO1101; ISO2553 Status: Customer reference number: Product key: SPP-4-FC-FO-ST-B-BB Part number: SPPF000064_SP Rev: -
---	--	--