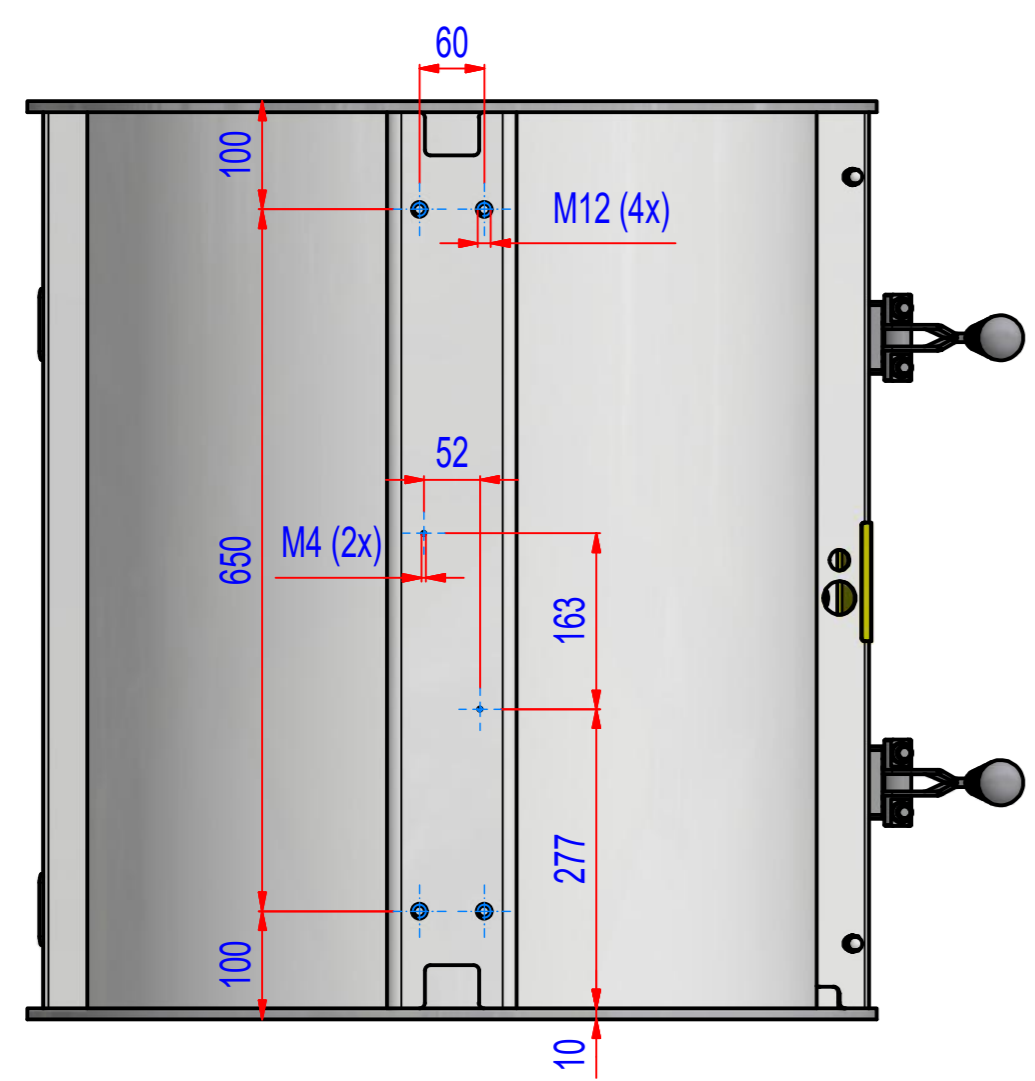
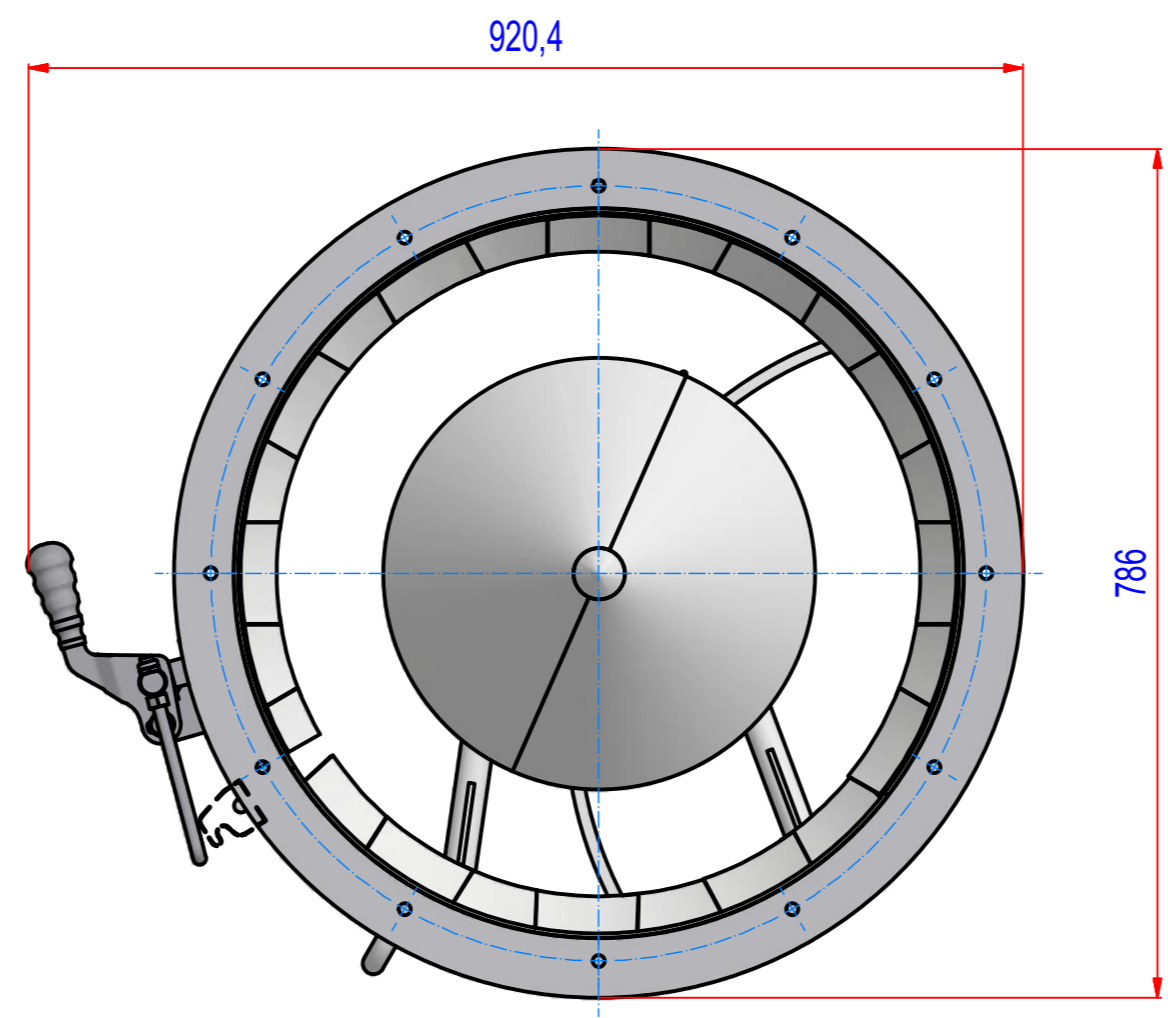
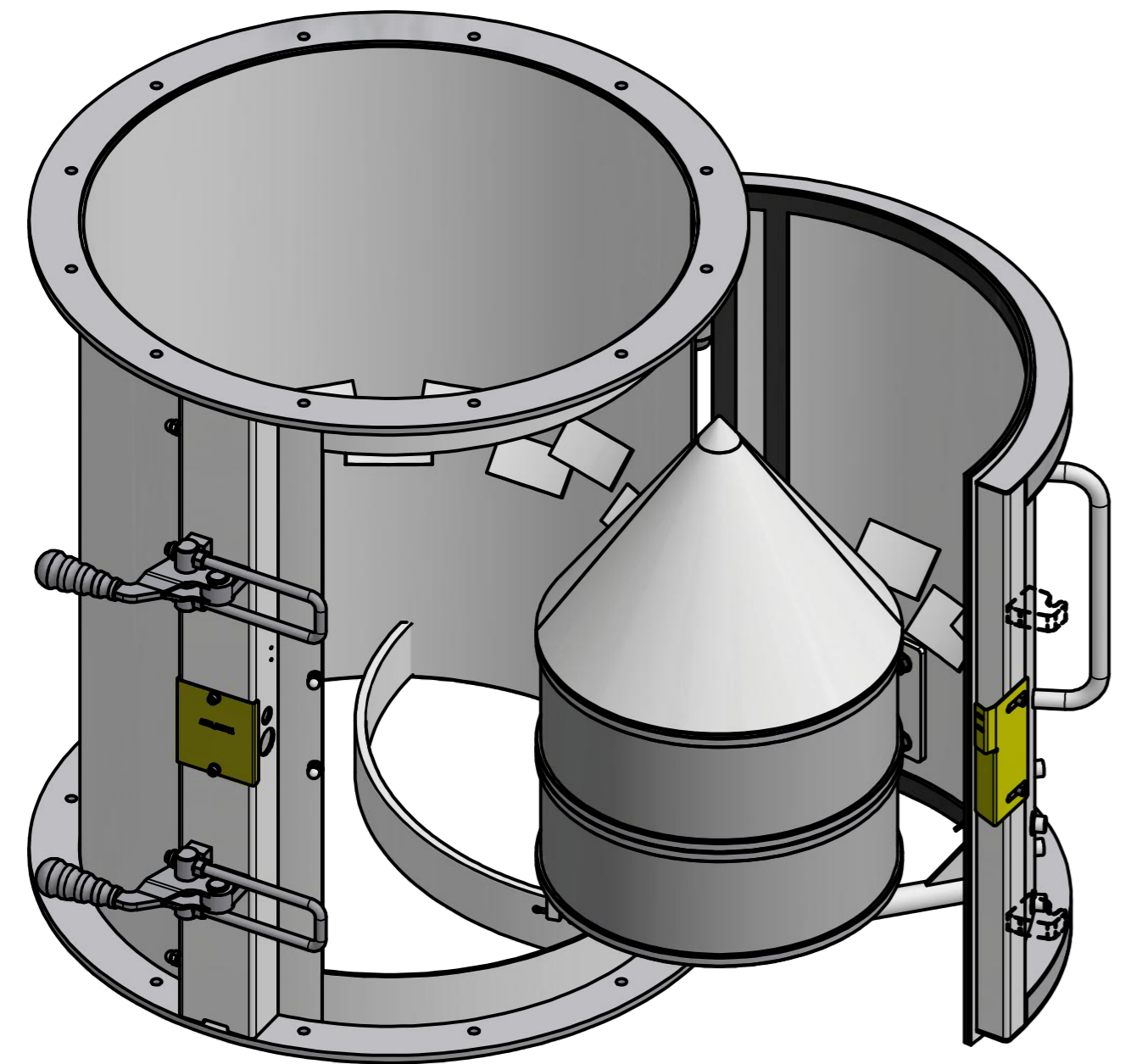
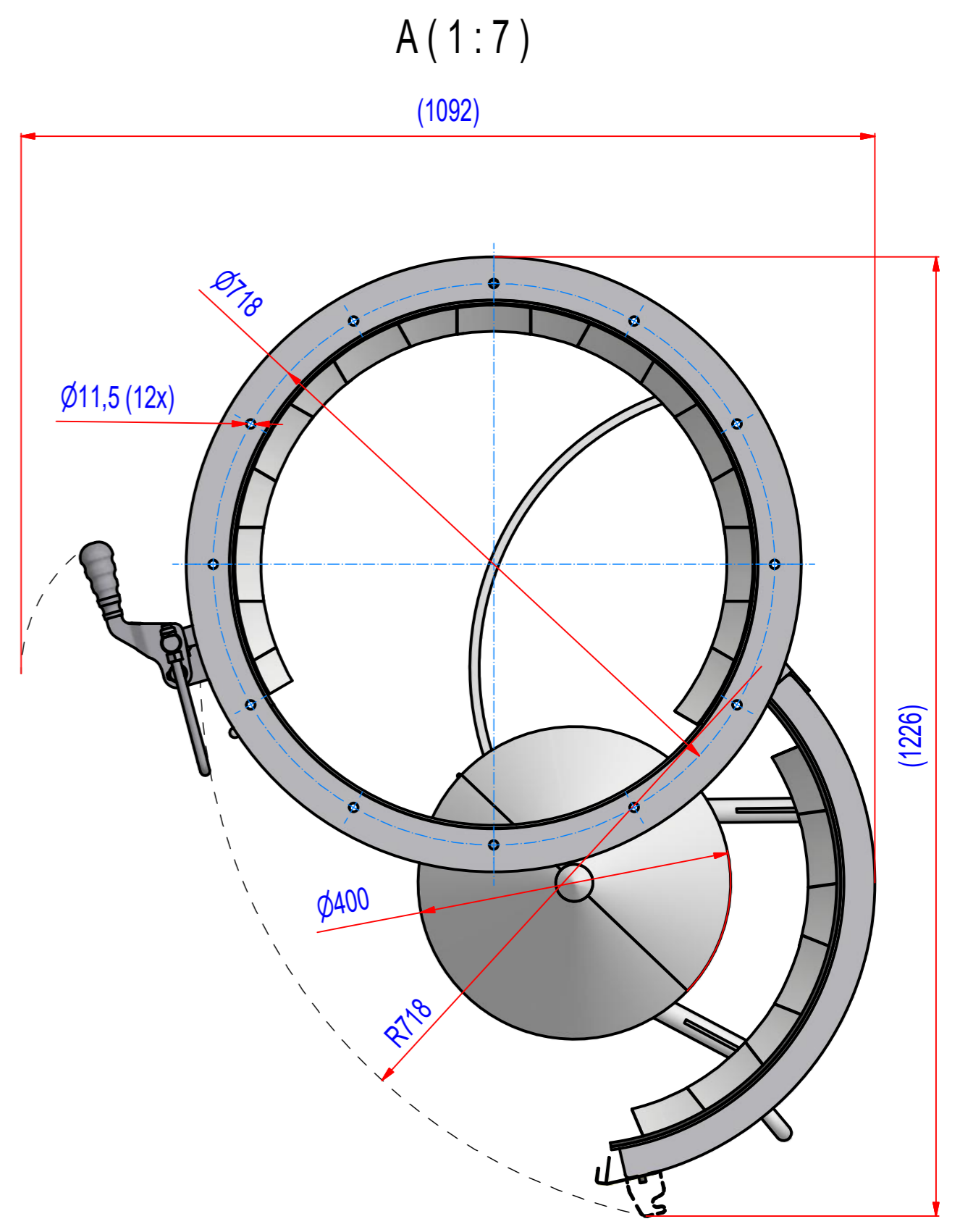
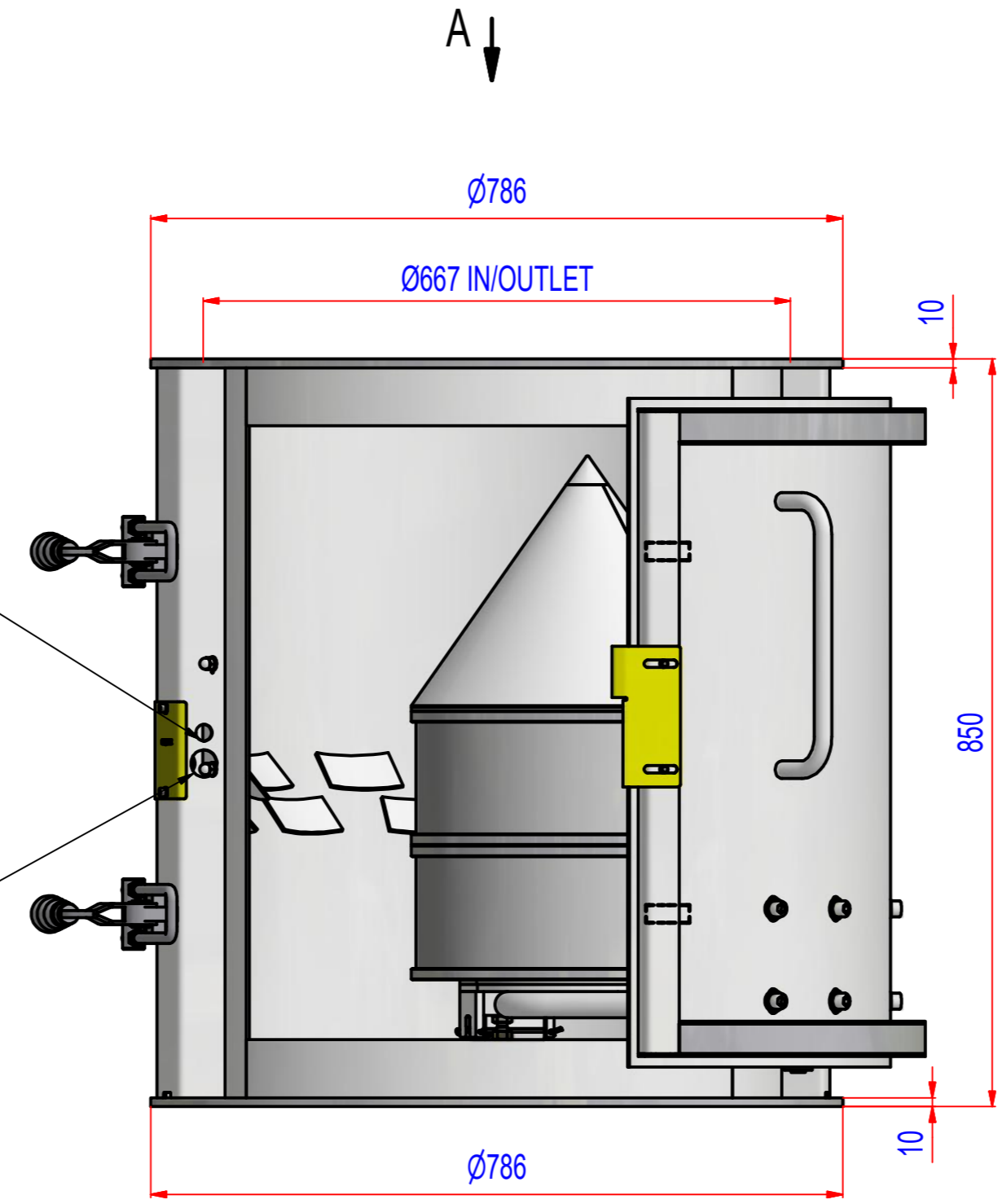


REV	BY	DATE	DESCRIPTION
-	PW	27.04.2017	New Vault, nothing changed, old rev.D



HOLE D19 FOR M18 DOORSENSOR  
HOLE D31 FOR M30 DOORSENSOR



1	A133_000000	SPPF000065	321
POZ./POS.	Č. SOUČÁSTI/ PART NUMBER	POPIS / DESCRIPTION	HMOT./ WEIGHT
Sheet: A2	Weight (kg): 321	Extra info:	General tolerance: ISO 2768 - cL
Drawn: PW	Date: 27.04.2017	<p>© All rights reserved. Reproduction is not permitted without written permission of GOUDSMIT Magnetic Systems BV</p>	Drawn according: ISO268; ISO1101; ISO2553
Predecessor:	Quick search: XSPP 5		Status:
Description: Pipe magnet, ferrite, PM5, Type F		Customer reference number:	Product key: SPP-5-FC-FO-ST-B-BB
			Part number: SPPF000065