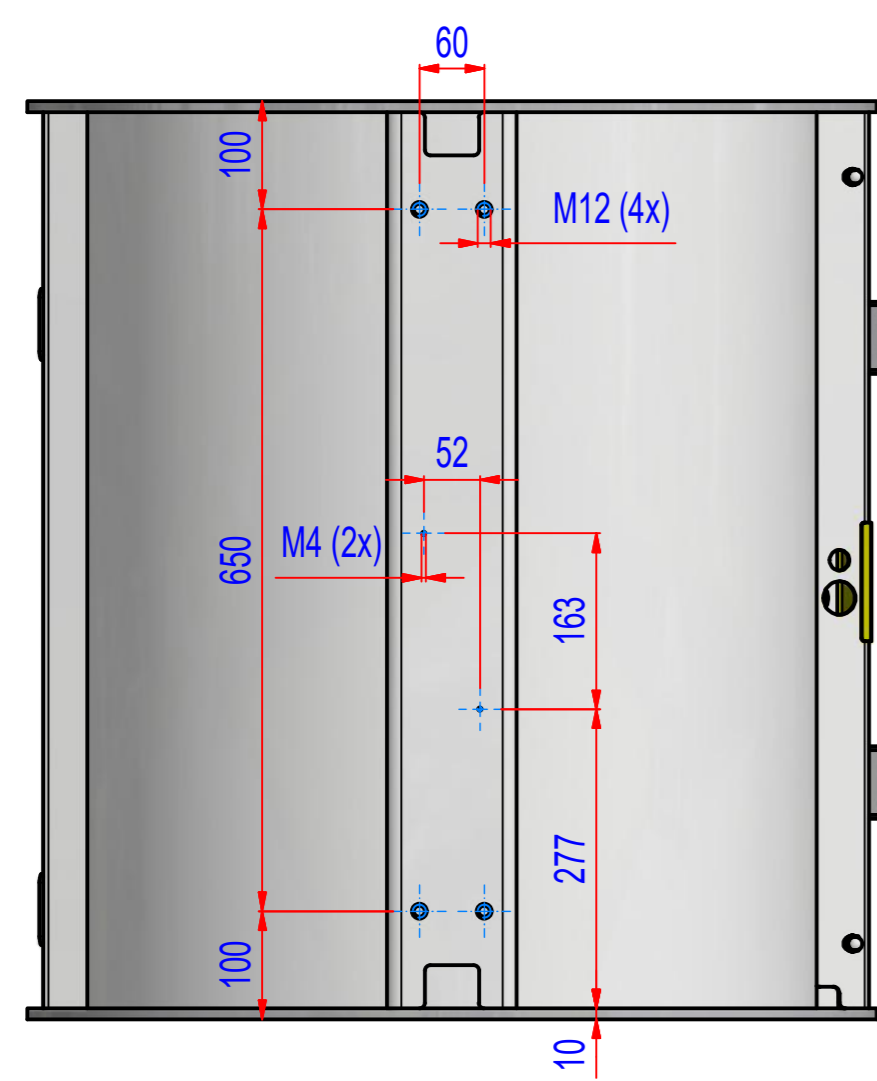
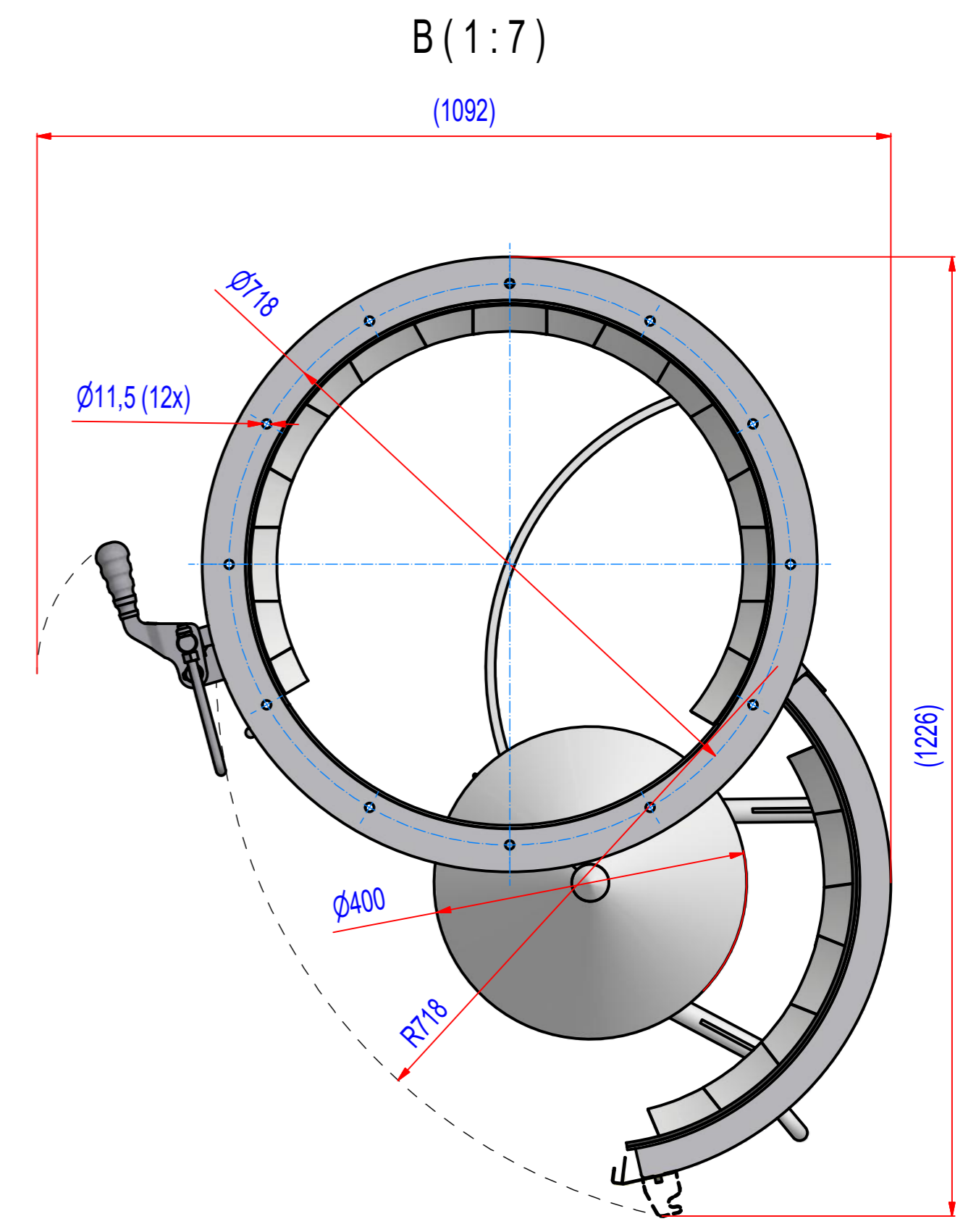
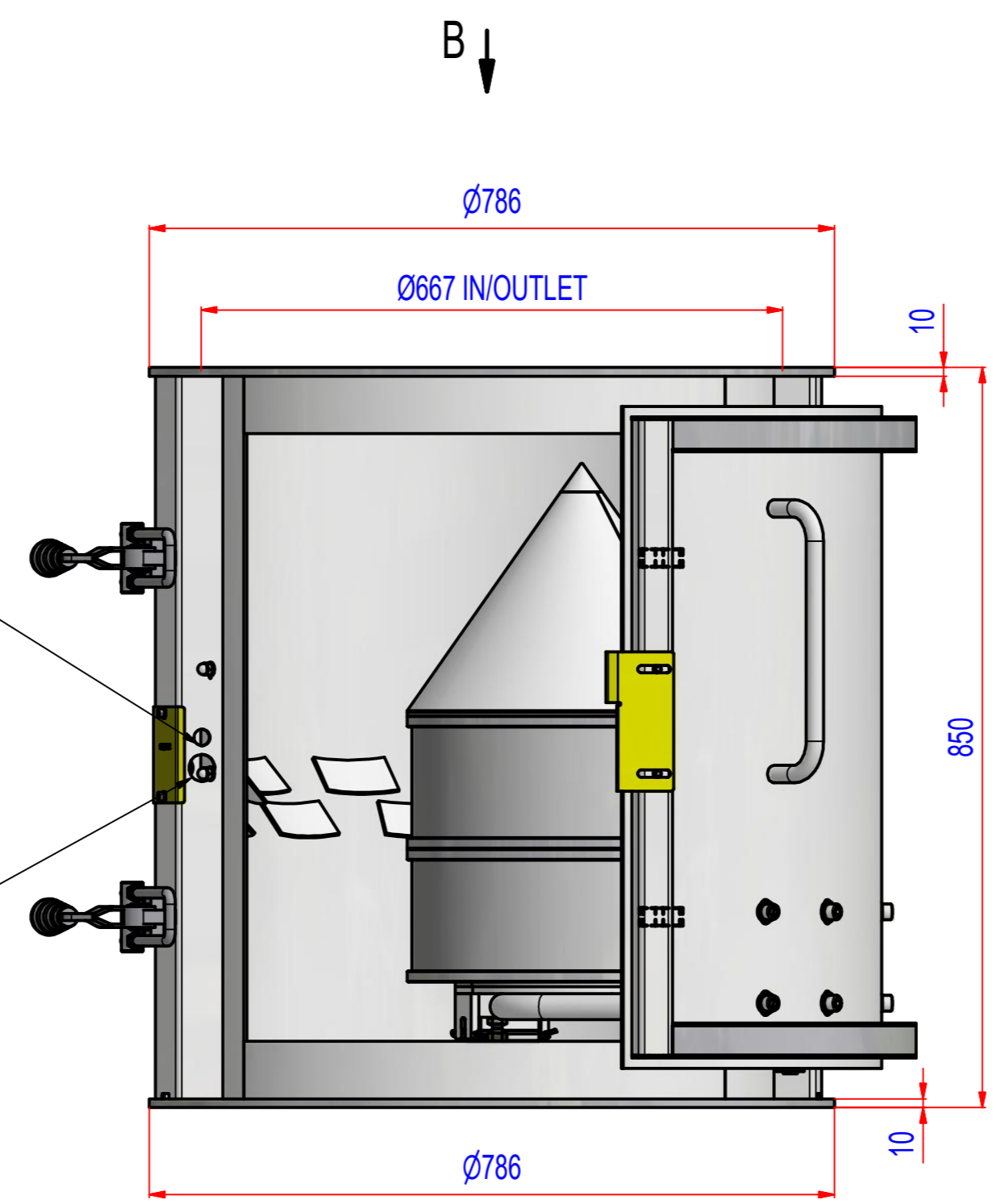


REV	BY	DATE	DESCRIPTION
-	PW	23.07.2018	New Vault, nothing changed, old rev.D



HOLE D19 FOR M18 DOORSENSOR  
HOLE D31 FOR M30 DOORSENSOR



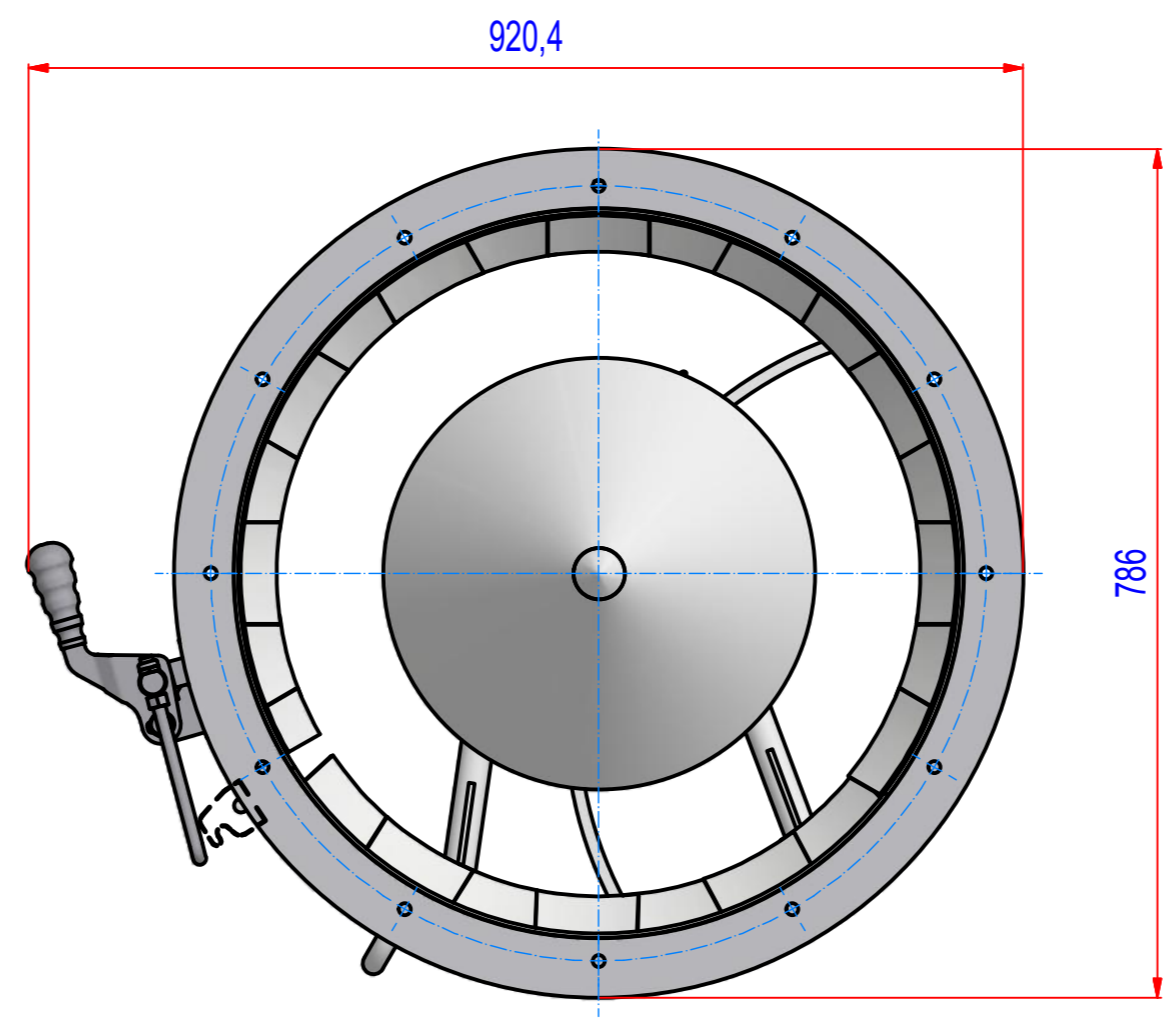
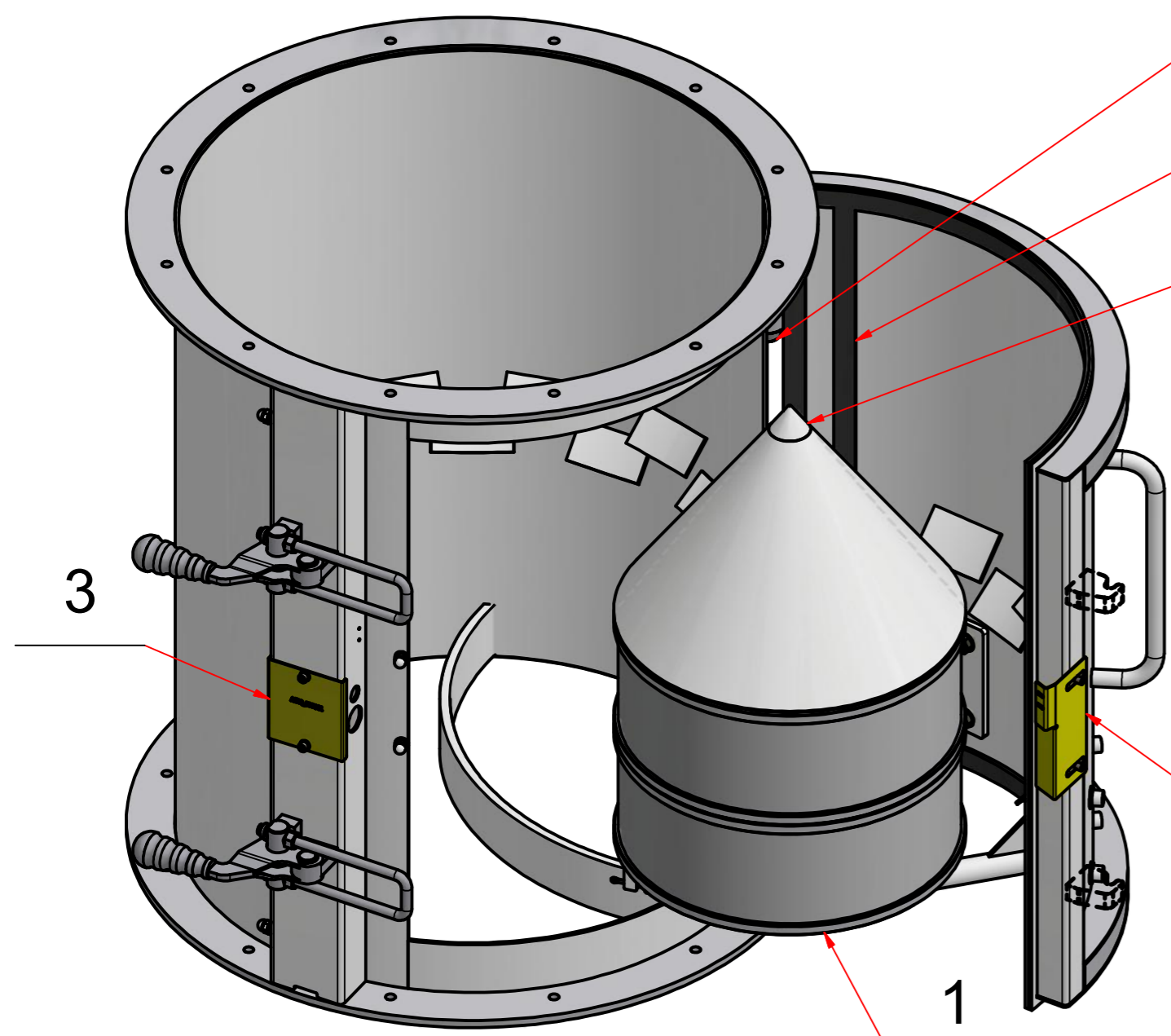
6 7 8 9 10

5

2

4

1



10	G66_020001	Hinge pin PM5	S355 (11523)	0,5	2
9	15_1151204	Bearing 51204	Default	0	2
8	15_9000082	Sliding pad GTM-2036-015	Iglidur	0	2
7	70_6000020	Set colar 20x32x14	CS	0,1	2
6	15_9000058	Closed linear plain bearing GFM-2023-21	Plast S	0	4
5	G05_000005	Band PM5, 25x5, L=3000	Silikon	0,6	1
4	G05_000004_C	Sensor plate	S235JR (11373)	0,1	1
3	A028_000001	Cover for PM5/6/7	AISI304	0,1	1
2	G05_030300_B	Cone 70°	AISI304	9,5	1
1	G05_030000_C	Magnet PM5 70°		190	1
POZ.	Č. SOUČÁSTI	POPIS	MATERIÁL	HMOT.	MN.

Sheet: A2 Drawn: PW Date: 23.07.2018 Predecessor:	Extra info: <b>GOUDSMIT</b> MAGNETIC SYSTEMS <small>© All rights reserved. Reproduction is not permitted without written permission of GOUDSMIT Magnetic Systems BV</small>	General tolerance: ISO 2768-cL Drawn according: ISO268; ISO1101; ISO2553 Status: Customer reference number: Product key: SPP-5-FC-FO-ST-B-BB Part number: SPPF000065_SP Rev: -
Quick search: XSPP 5 Description: Spare parts for SPPF000065		