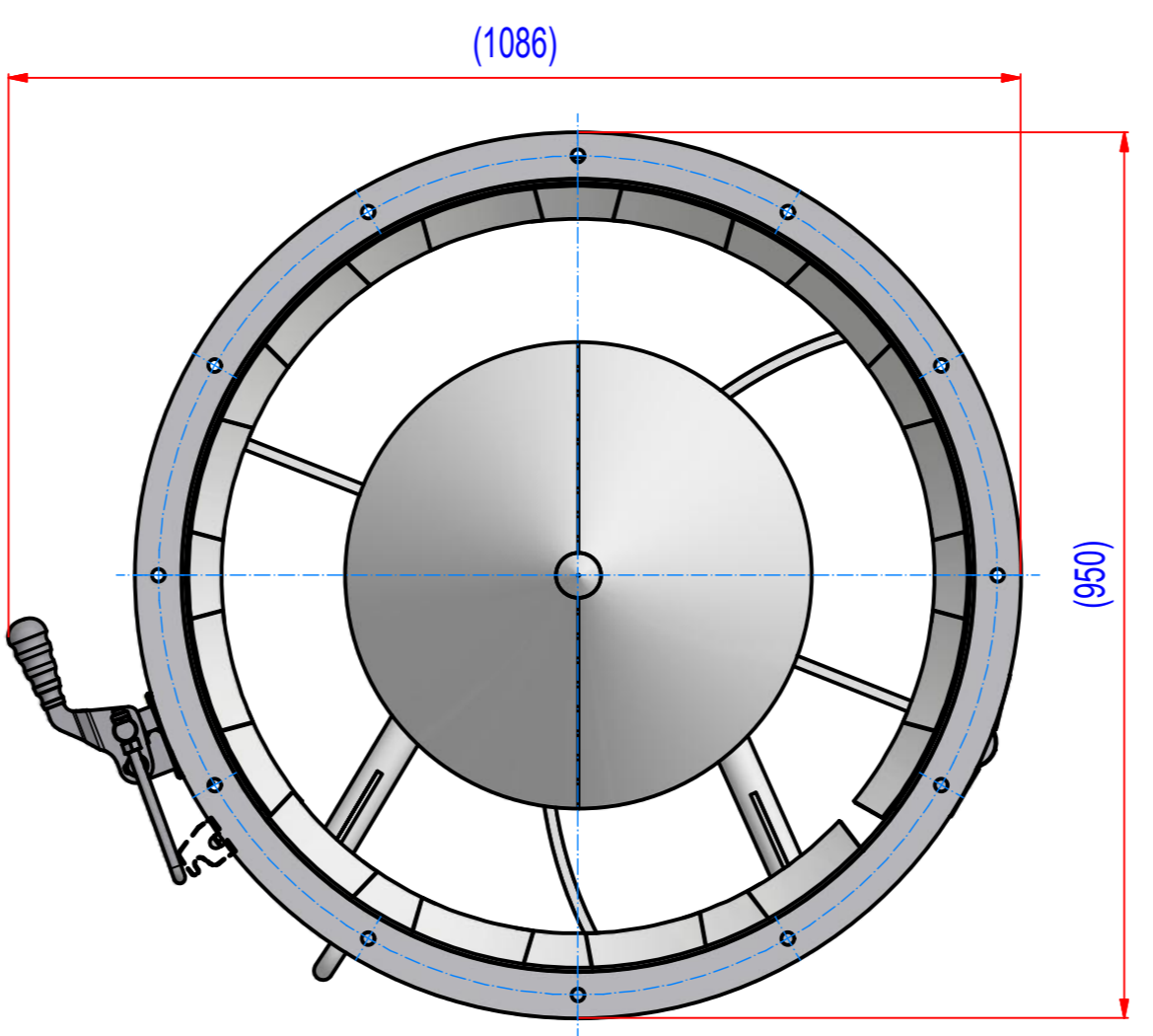
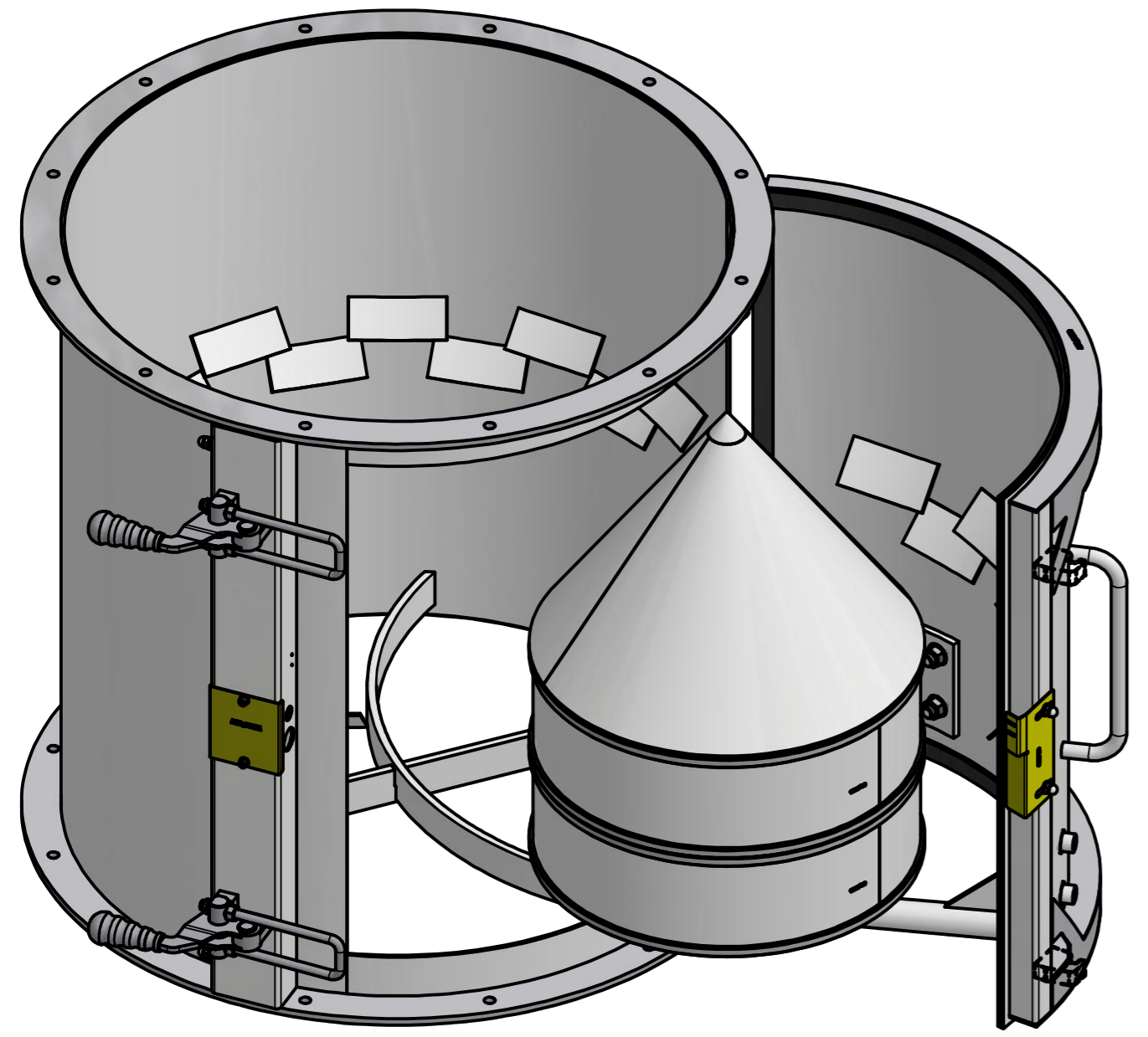
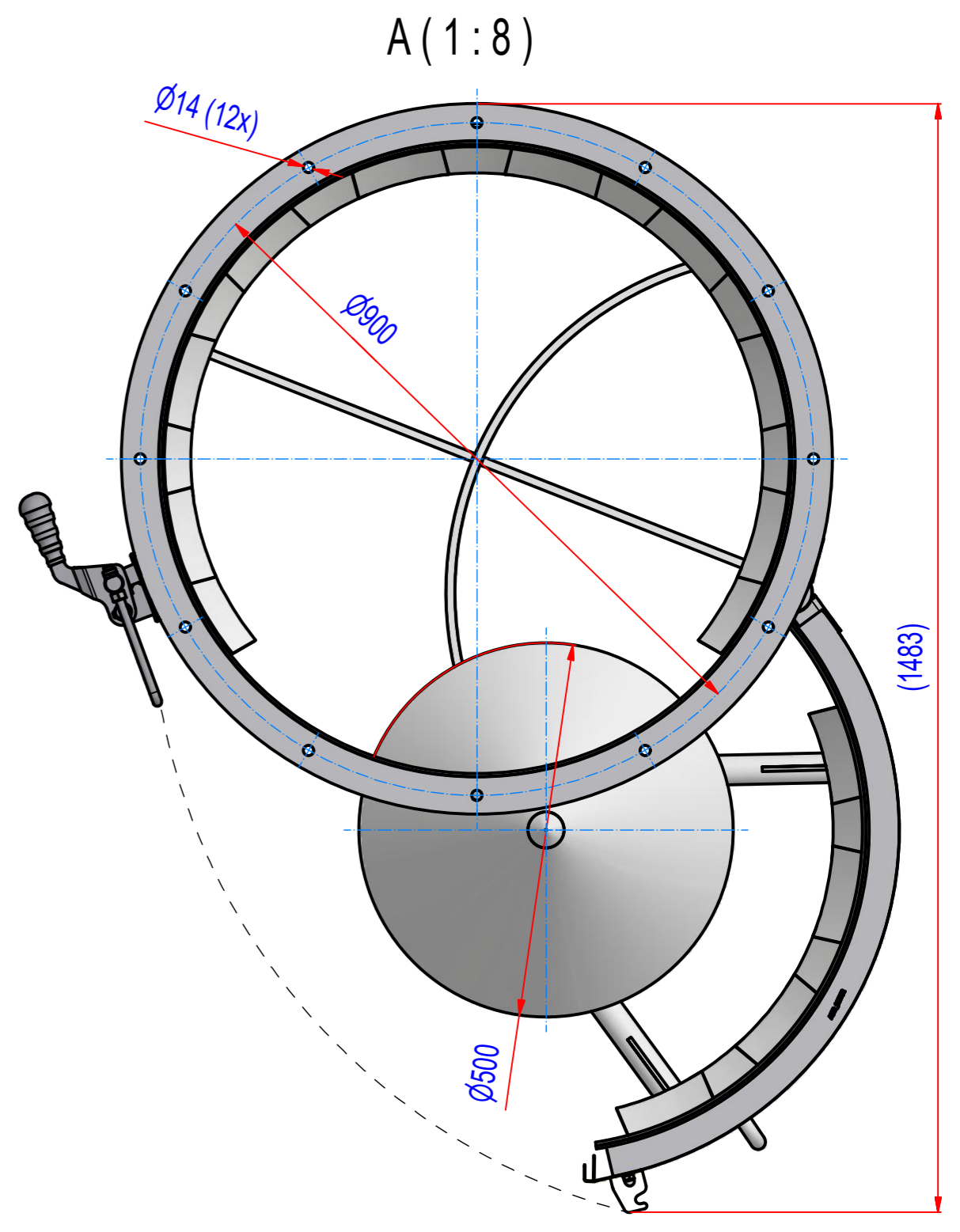
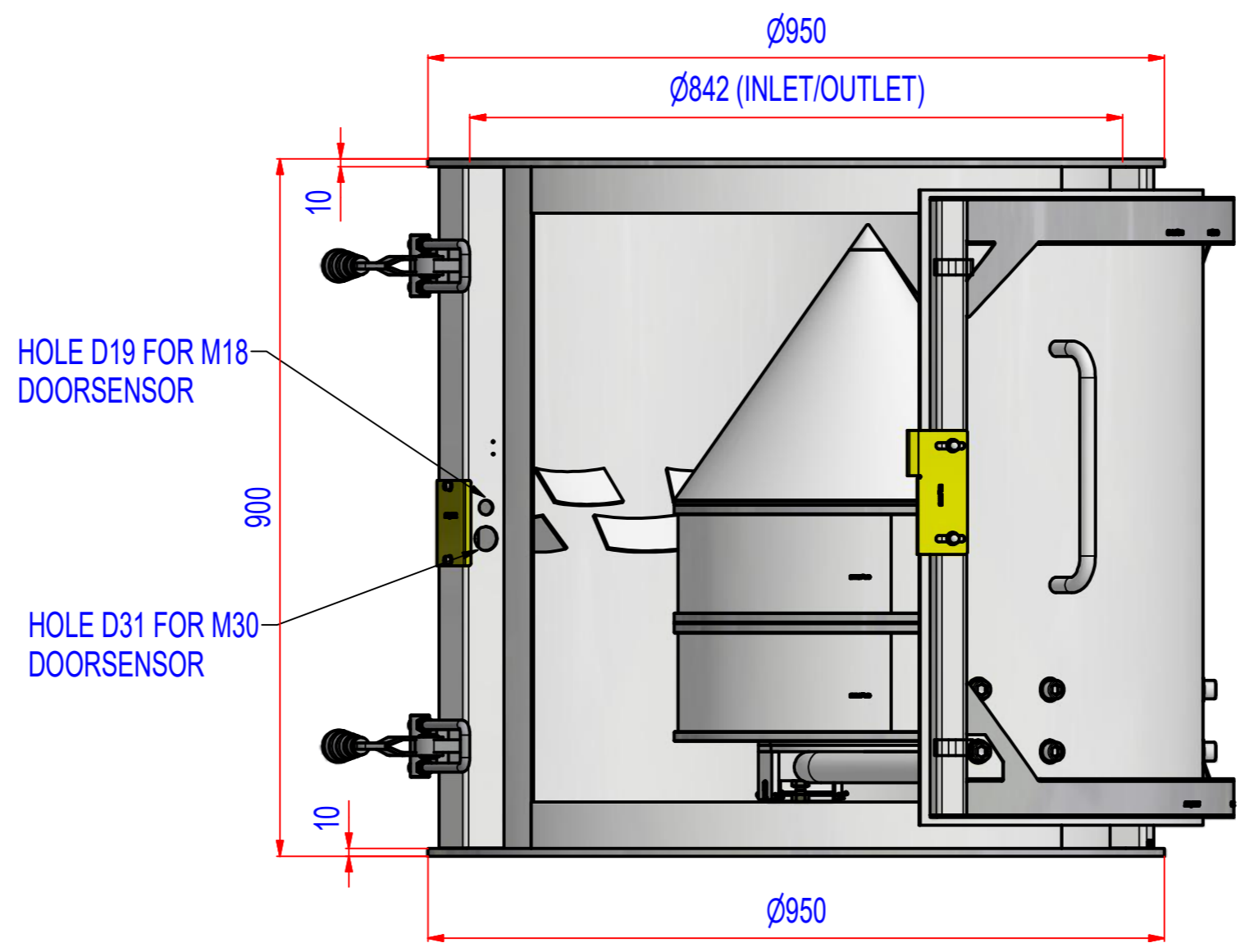
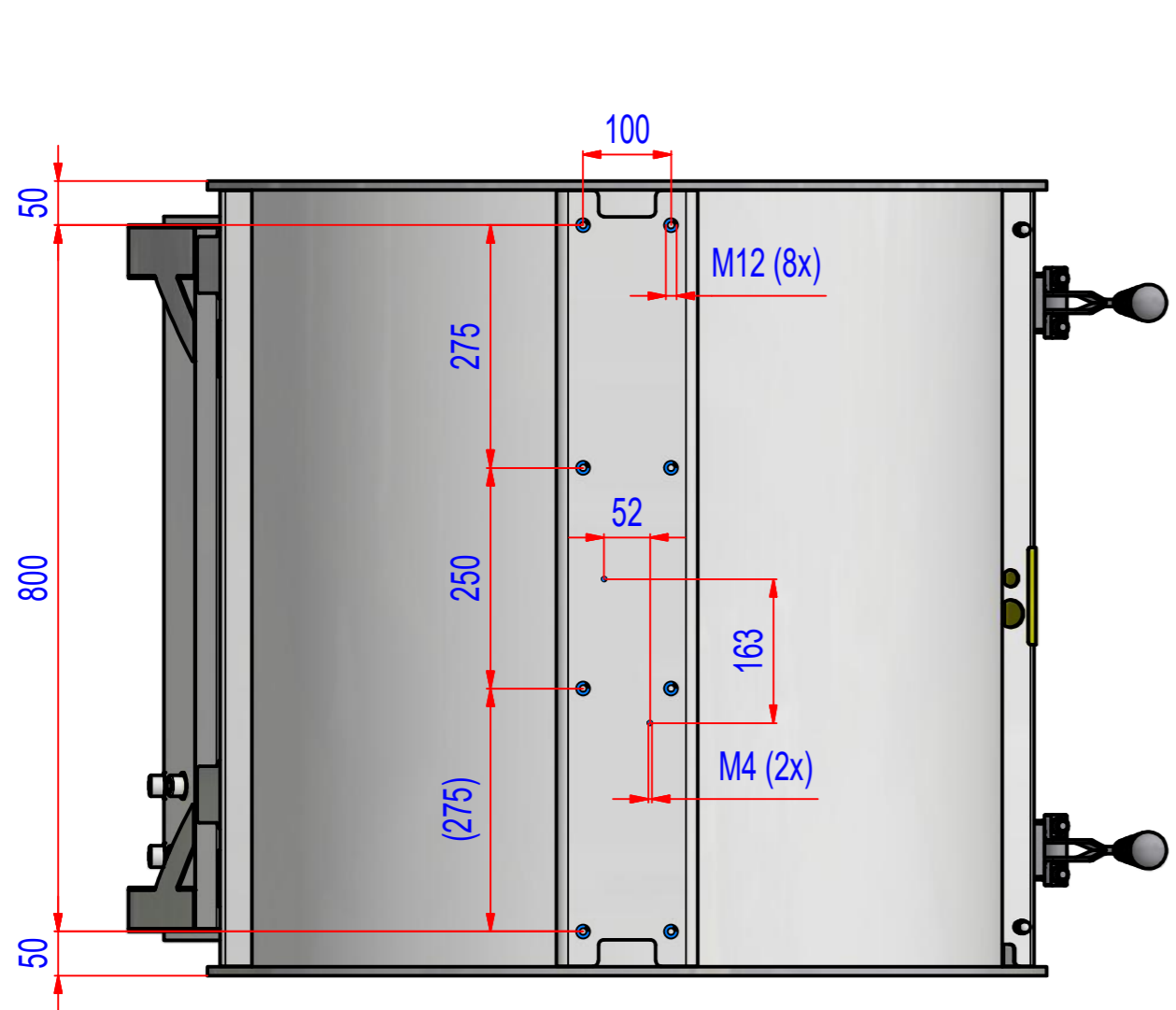


REV	BY	DATE	DESCRIPTION
-	PW	27.02.2017	New Vault, nothing changed, old rev.C

A ↓



1	A078_000000	SPPF000066	466,4
POZ./POS.	Č. SOUČÁSTI/ PART NUMBER	POPIS / DESCRIPTION	HMOT./ WEIGHT
Sheet: A2	Weight (kg): 466,4	Extra info:	General tolerance: ISO 2768 - cL
Drawn: PW	Date: 27.02.2017	<p>© All rights reserved. Reproduction is not permitted without written permission of GOUDSMIT Magnetic Systems BV</p>	Drawn according: ISO268; ISO1101; ISO2553
Predecessor:	Quick search: XSPP 6		Status:
Description: Pipe magnet, Ferrite, PM6, type F		Customer reference number:	Product key: SPP-6-FC-FO-ST-B-BB
			Part number: SPPF000066
			Rev: -