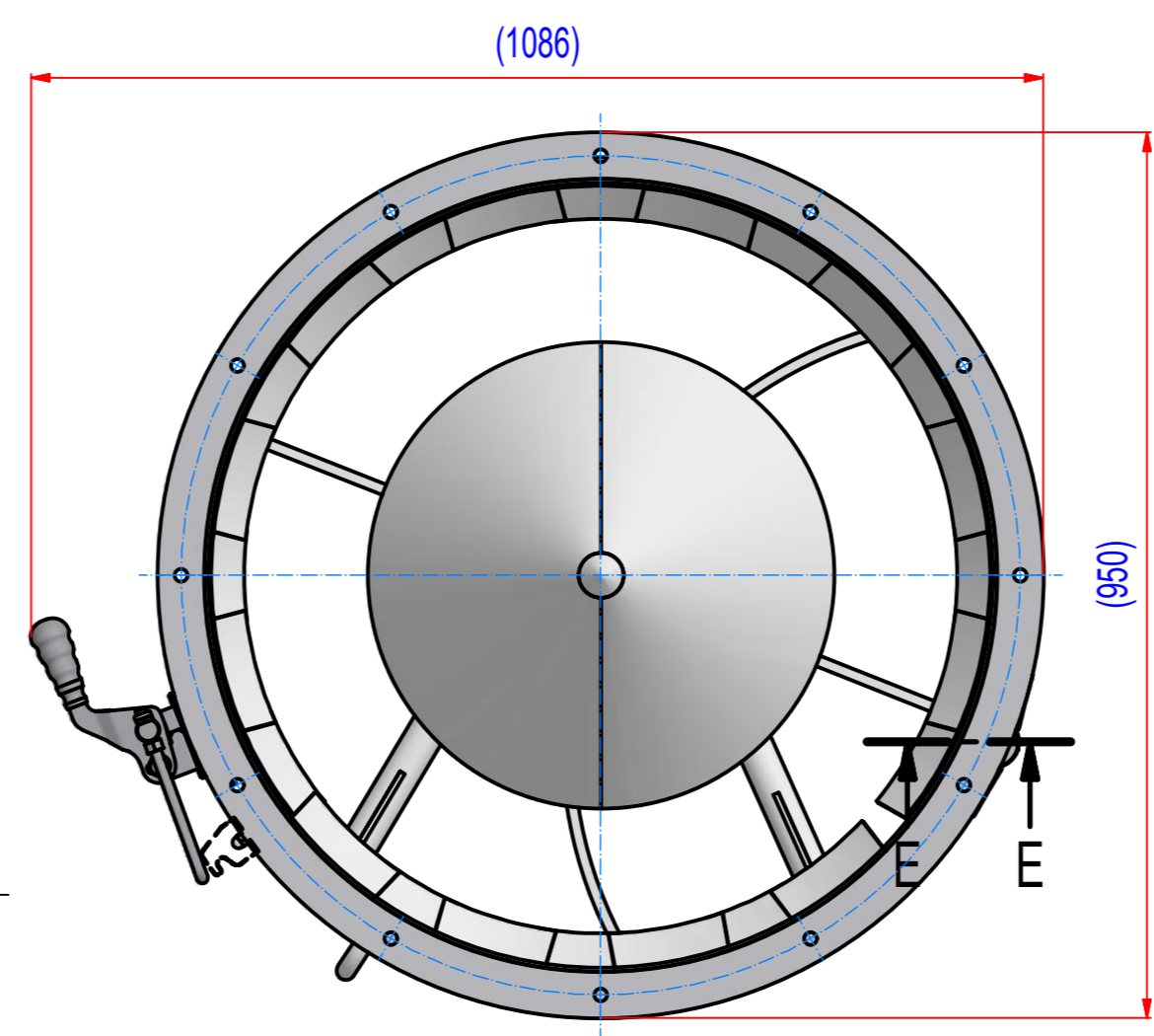
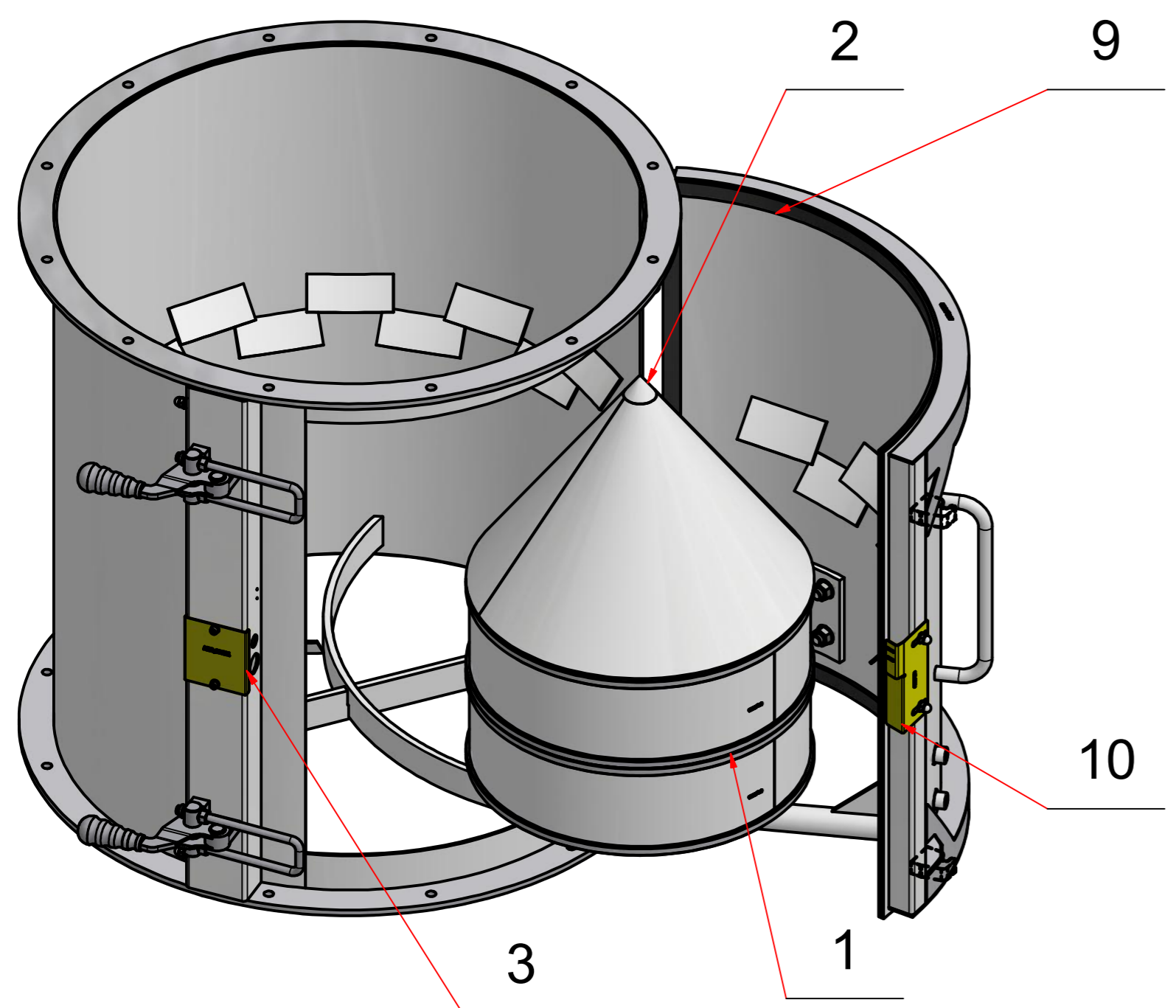
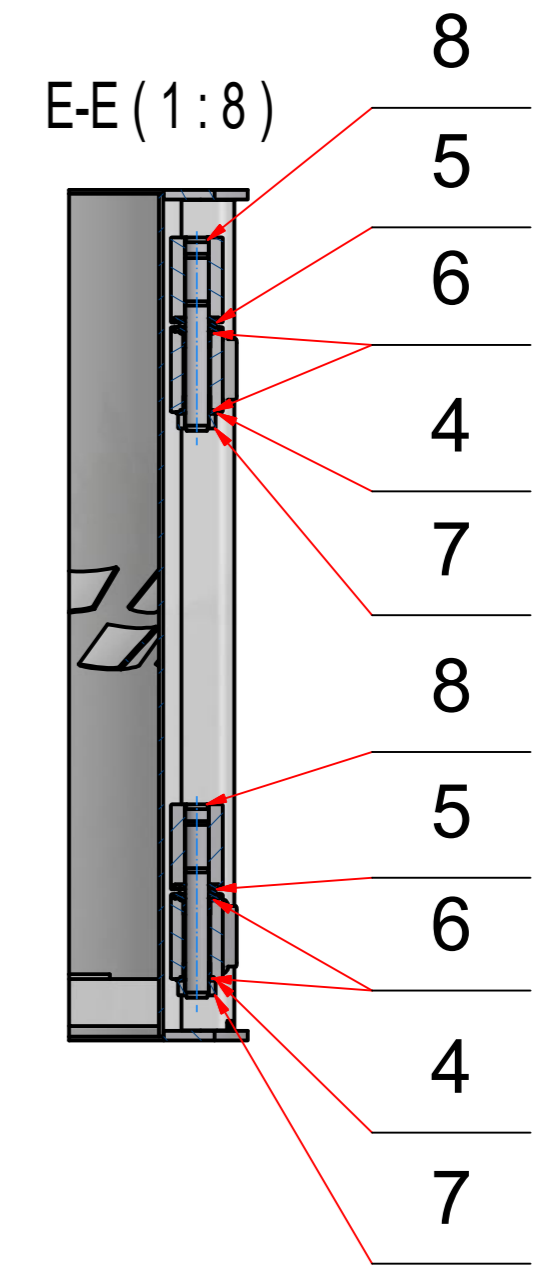
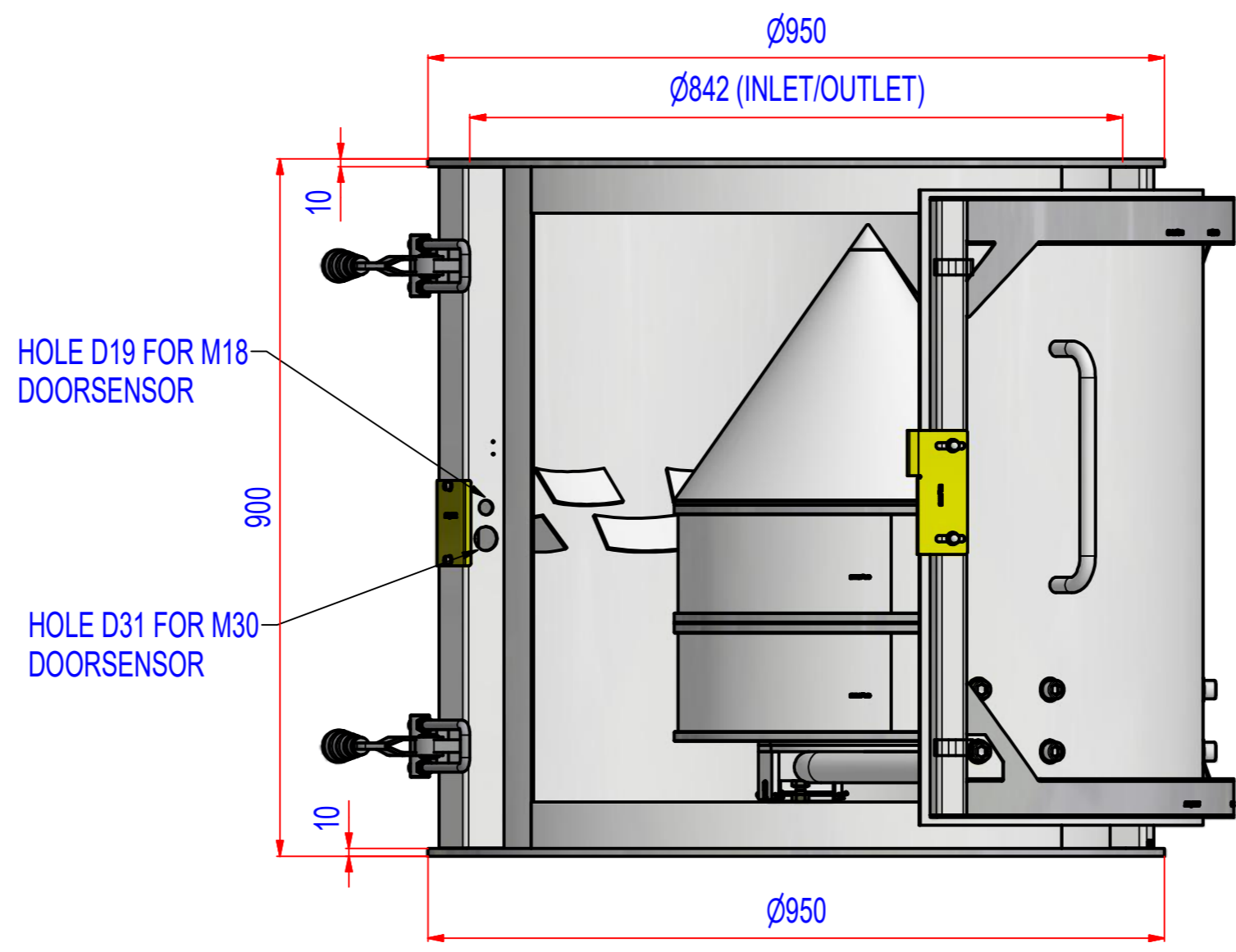
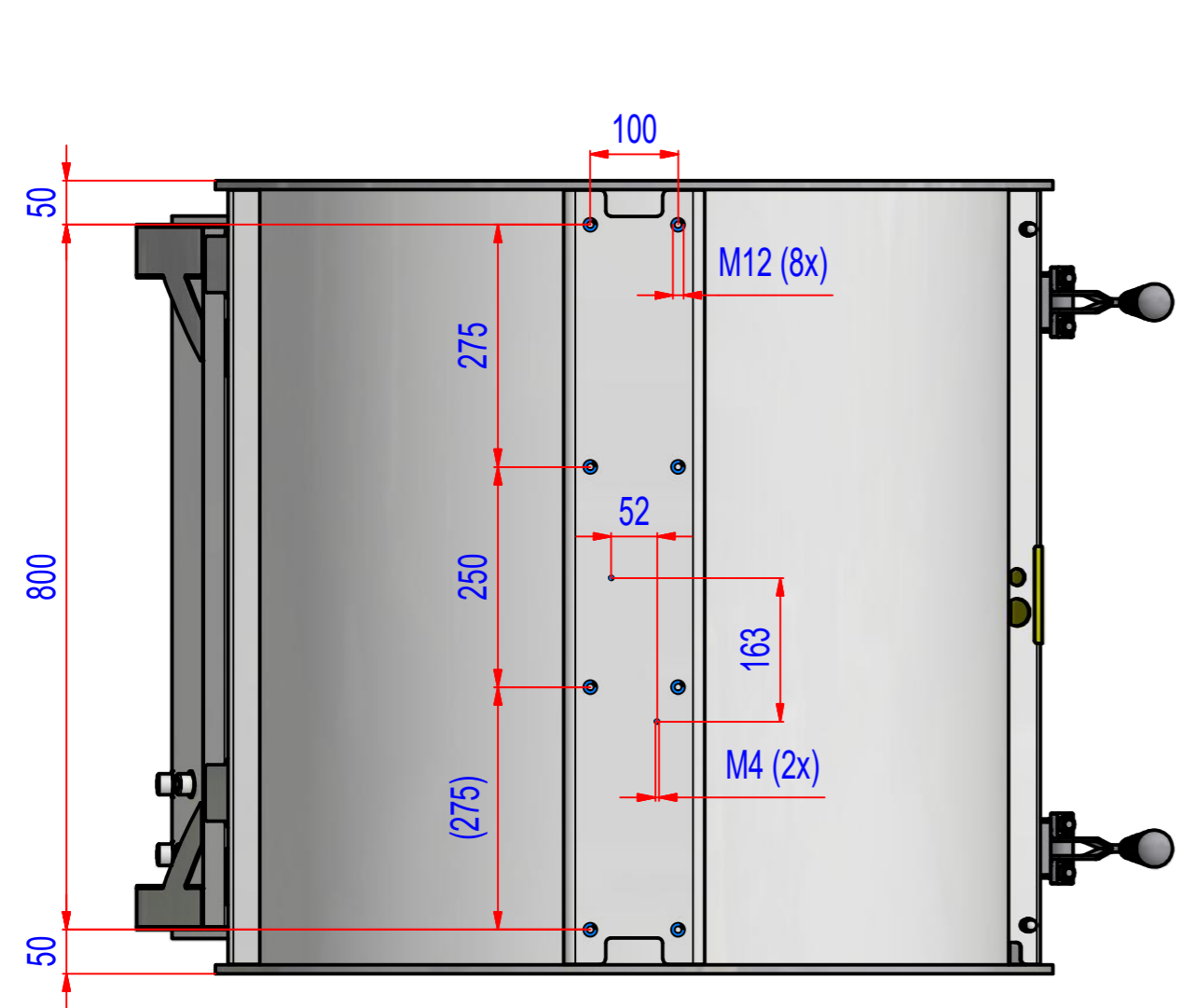


REV	BY	DATE	DESCRIPTION
-	PW	23.07.2018	New Vault, nothing changed, old rev.C



POZ.	Č. SOUČÁSTI	POPIS	MATERIÁL	HMOT.	MN.
10	H16_000003	Sensor plate	S235JR (11373)	0,1	1
9	A023_000002	Gasket for PM6, 25x5. L=4200	Silikon	0,6	1
8	835_040001	Hinge pin PM7	S235JR (11373)	0,8	2
7	70_6000025	Set colar 25x40x16	CS	0,1	2
6	15_9000048	Closed linear plain bearing GFM-2528-16	Iglidur	0	4
5	15_1151205	Bearing 51205		0	2
4	15_9000049	Sliding pad GTM-2644-015	Iglidur	0	2
3	A028_000001	Sensor cover for PM5/6/7	AISI304	0,1	1
2	A023_020100	Cone 70°	AISI304	9	1
1	A023_020000	Magnet PM6 70°		292	1

Sheet: A2 Drawn: PW Date: 23.07.2018 Predecessor:	Weight (kg): 466,4 <b>GOUDSMIT</b> MAGNETIC SYSTEMS <small>© All rights reserved. Reproduction is not permitted without written permission of GOUDSMIT Magnetic Systems BV</small>	General tolerance: ISO 2768 - cL Drawn according: ISO268; ISO1101; ISO2553 Status: Customer reference number: Product key: SPP-6-FC-FO-ST-B-BB Part number: SPPF000066_SP Rev: -
Description: Spare parts for SPPF000066		