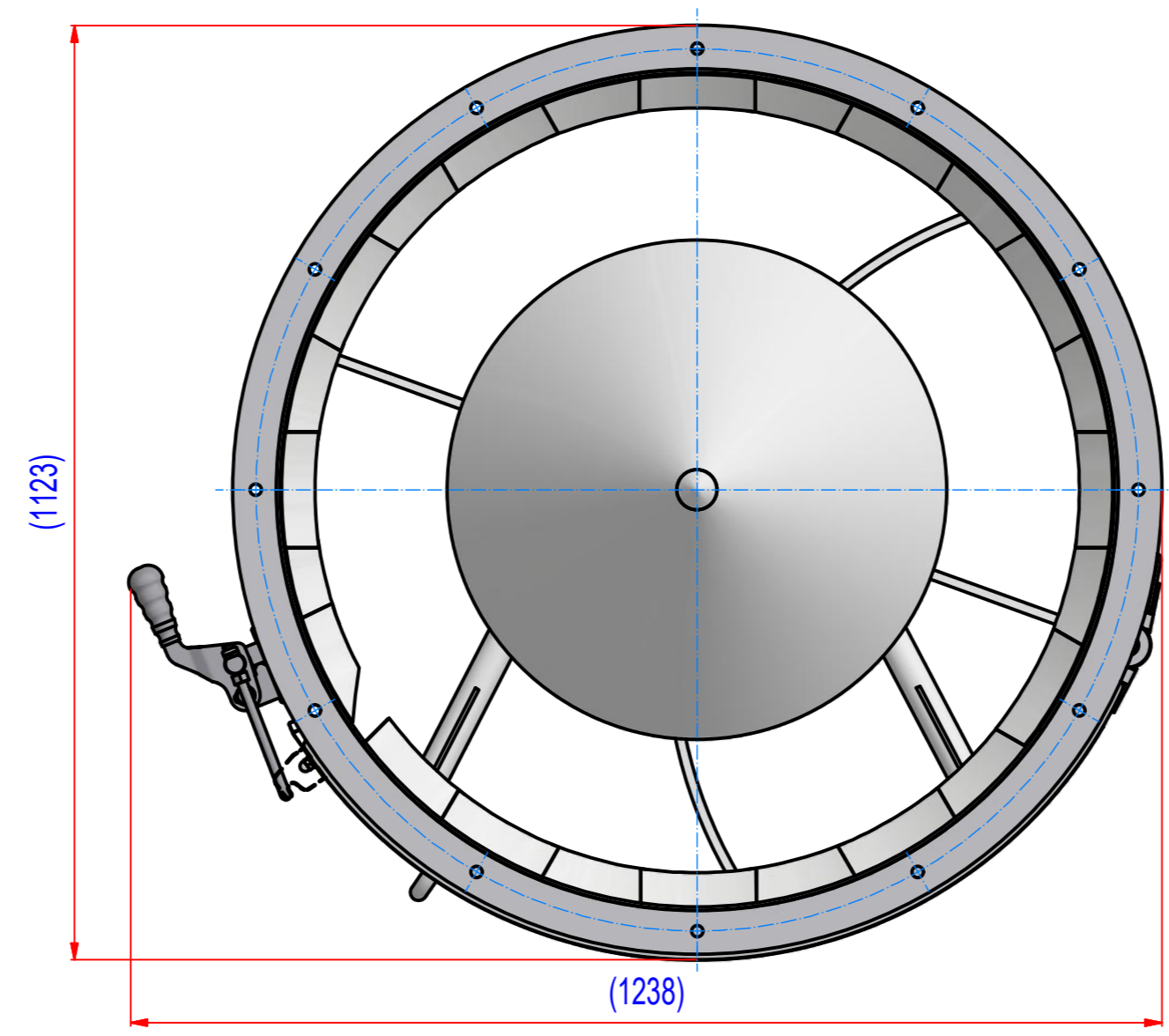
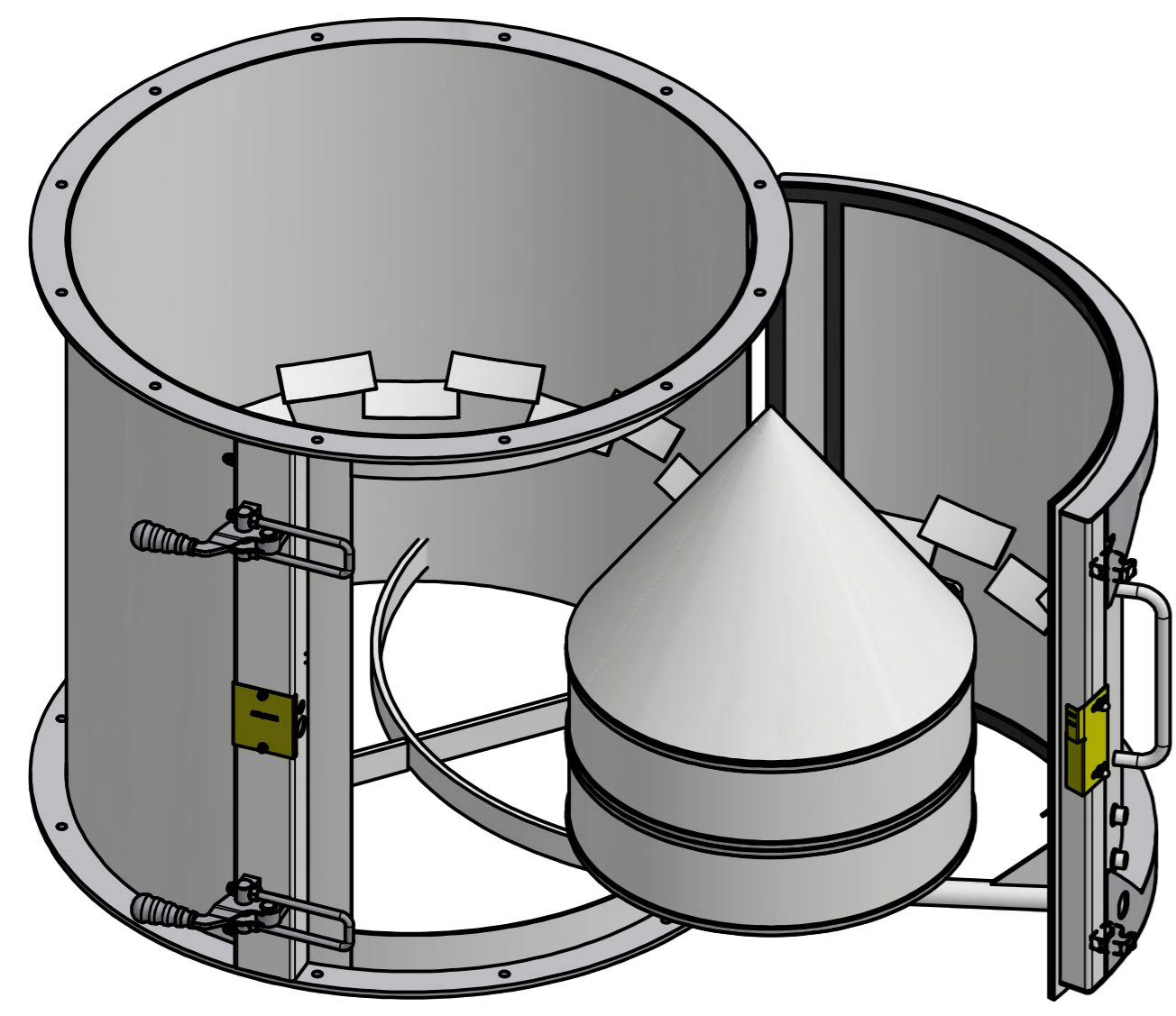
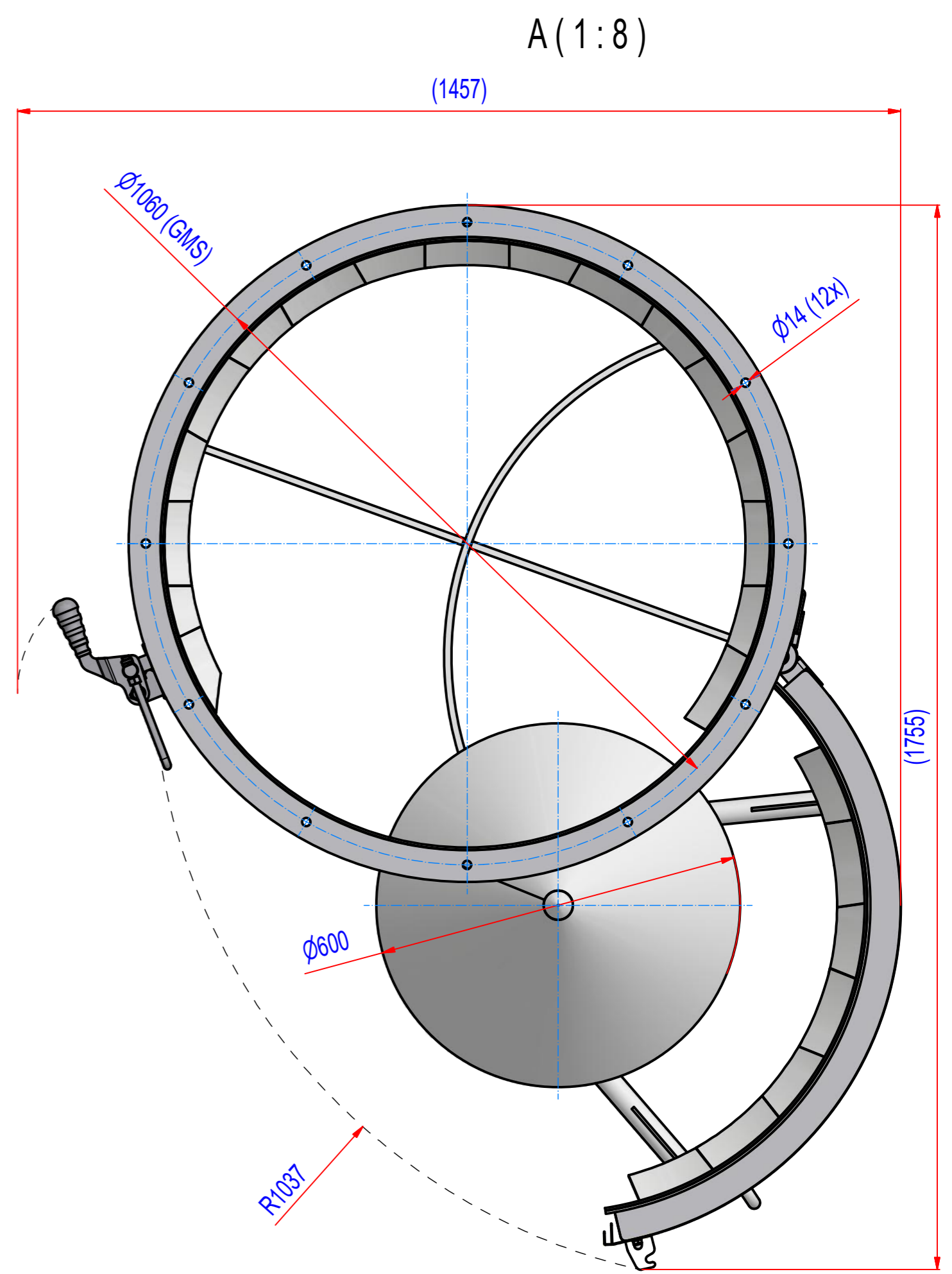
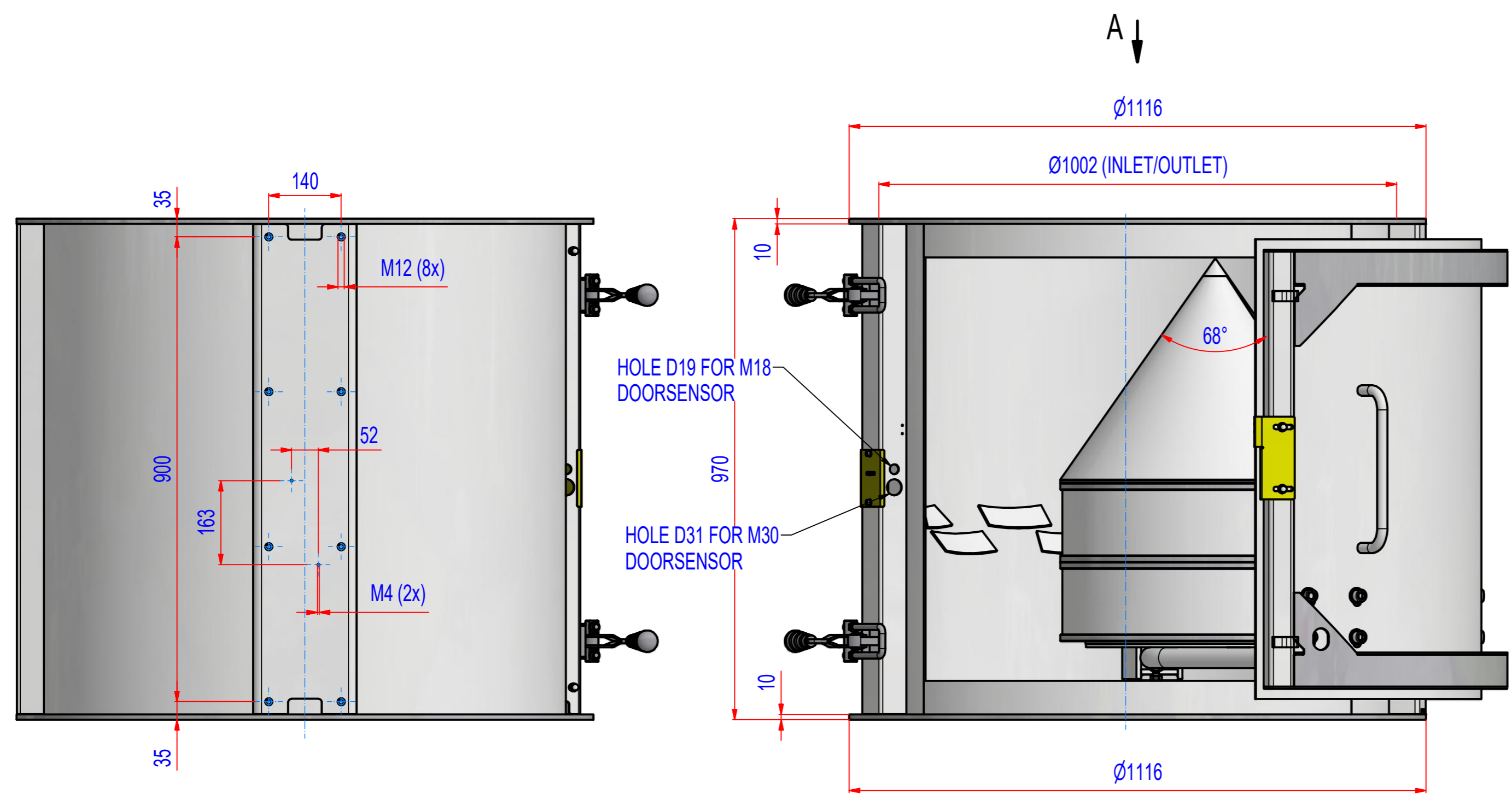


REV	BY	DATE	DESCRIPTION
-	PW	06.10.2017	New Vault, nothing changed, old rev.B



1	A283_000000	SPPF000067	670,4
POZ./POS.	Č. SOUČÁSTI/ PART NUMBER	POPIS / DESCRIPTION	HMOT./ WEIGHT
Sheet: A2	Weight (kg): 670,4	Extra info:	General tolerance: ISO 2768-cL
Drawn: PW	Date: 06.10.2017		Drawn according: ISO268; ISO1101; ISO2553
Date: 06.10.2017	Predecessor:		Status:
Quick search: XSPP 7	Description: Pipe magnet, Ferrite, PM7, type F	© All rights reserved. Reproduction is not permitted without written permission of GOUDSMIT Magnetic Systems BV	Customer reference number:
			Product key: SPP-7-FC-FO-ST-B-BB
			Part number: SPPF000067
			Rev: -