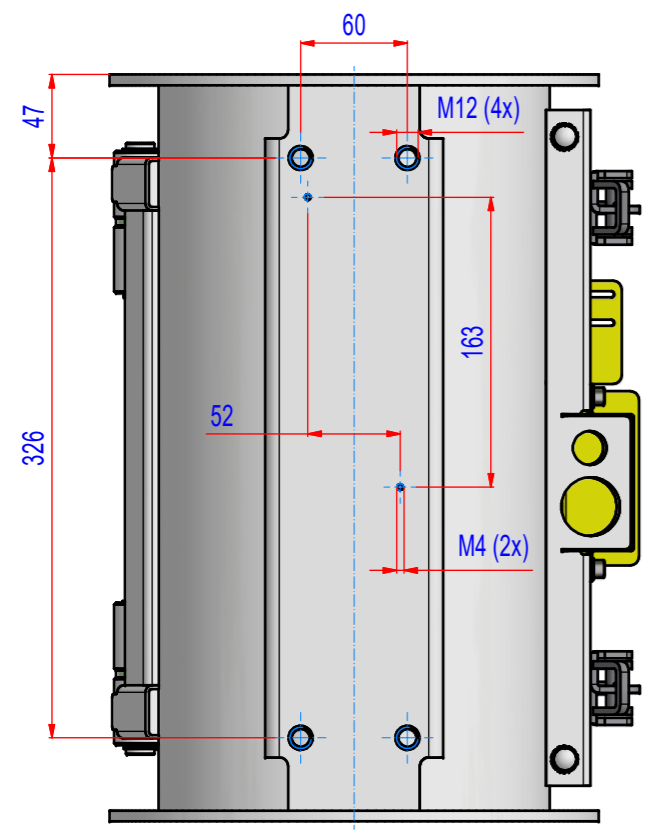
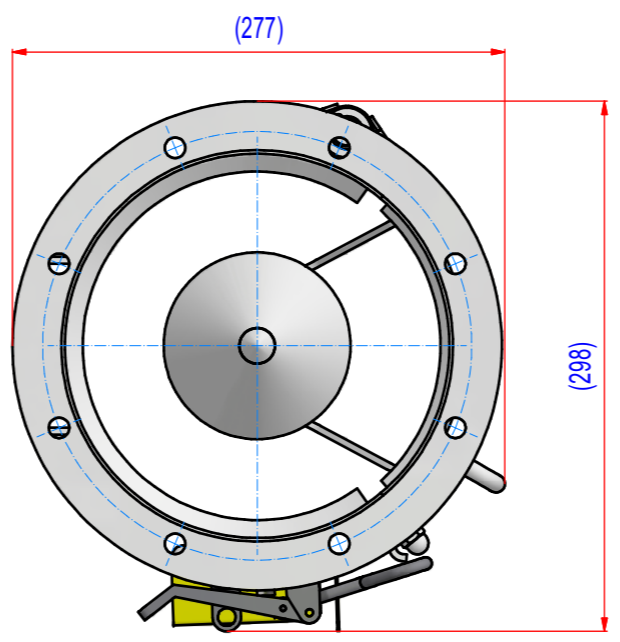
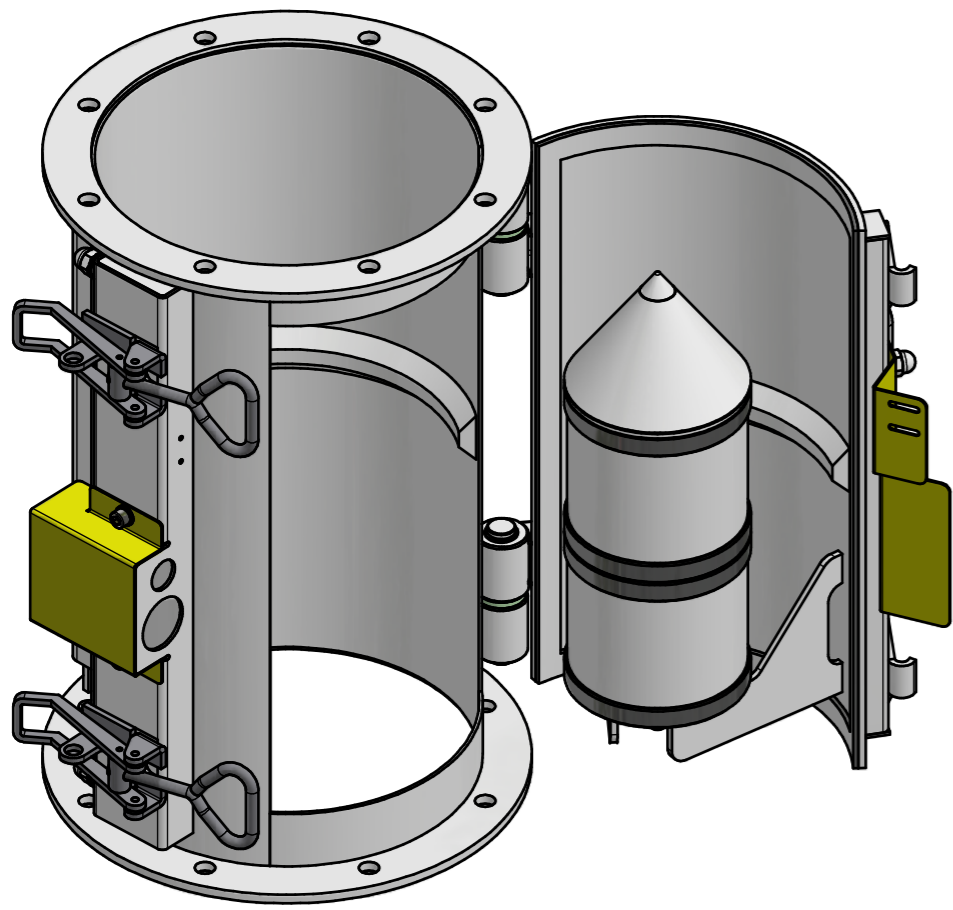
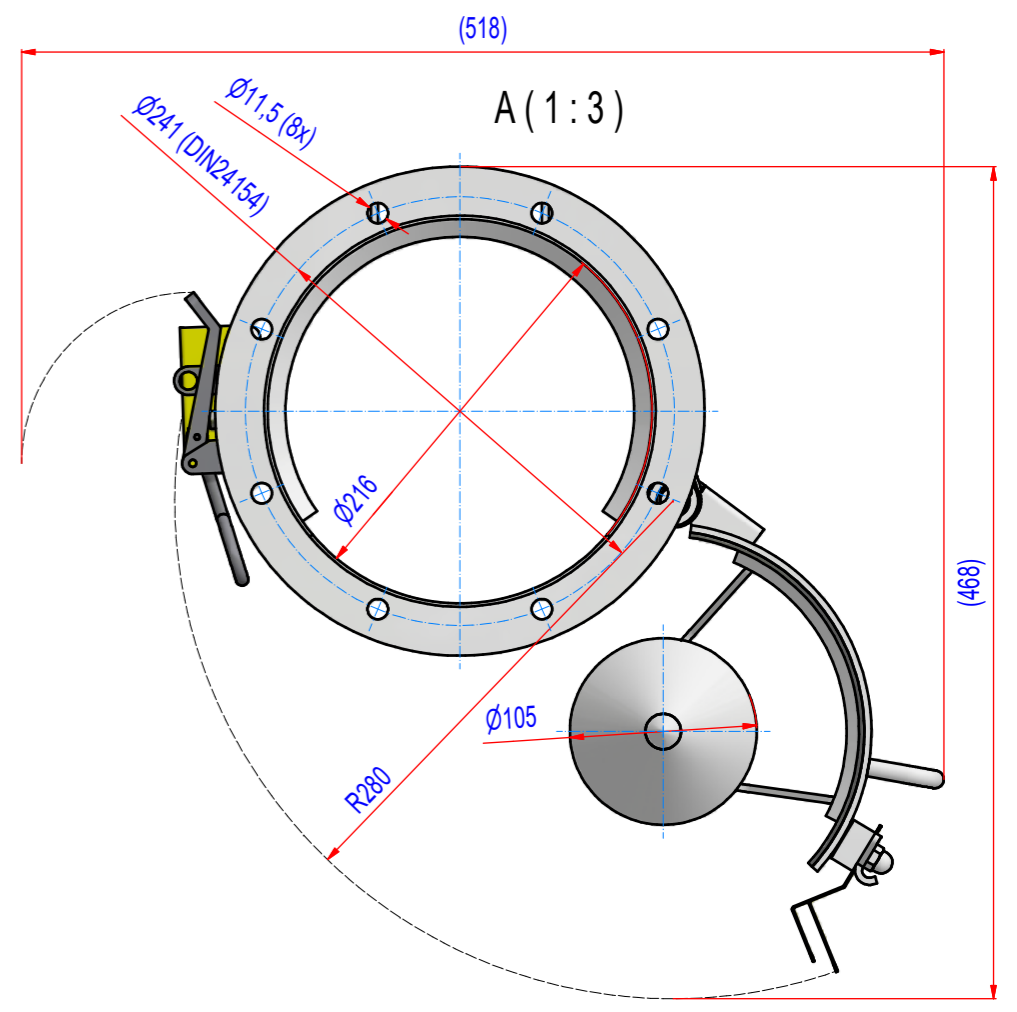
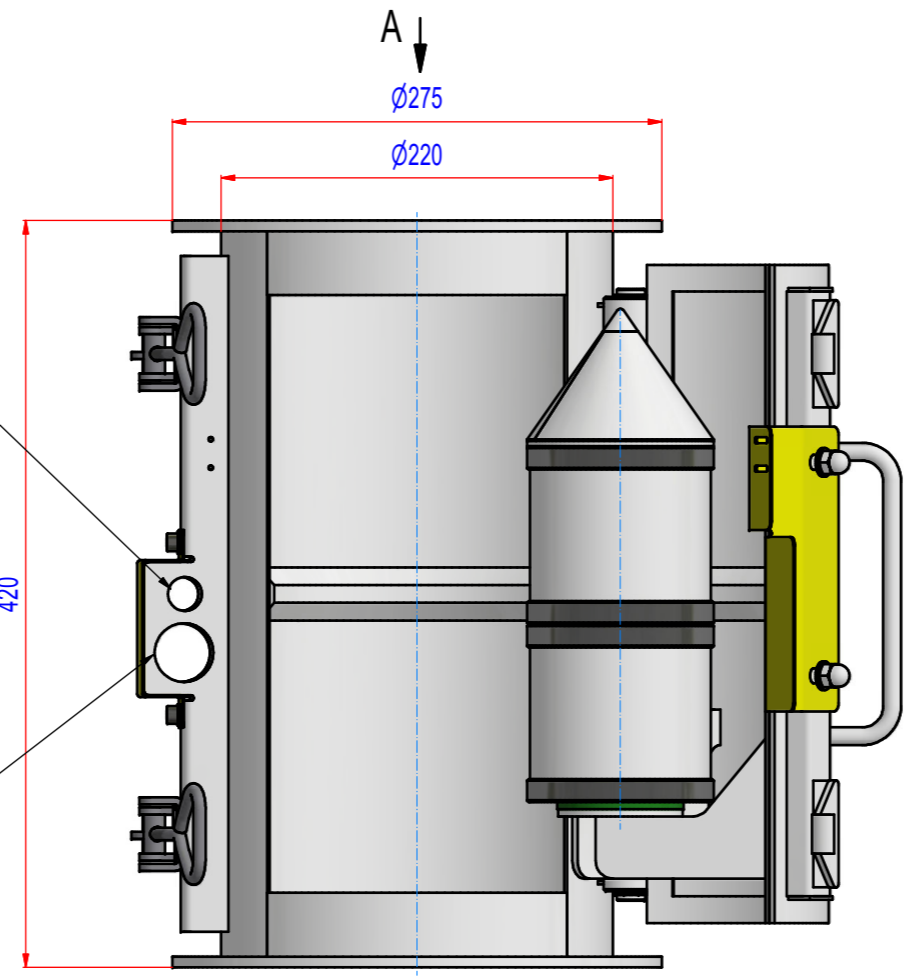


REV	BY	DATE	DESCRIPTION
-	EN	21.04.2017	NEW VAULT



HOLE D19 FOR M18 DOORSENSOR

HOLE D31 FOR M30 DOORSENSOR



POZ./POS.	Č. SOUČÁSTI/ PART NUMBER	POPIS / DESCRIPTION	HMOT./ WEIGHT
1	A132_000000	SPPF000160	23,7
Sheet: A2		Extra info:	General tolerance: ISO 2768 - cL
Drawn: PW	Weight (kg): 23,6	<p><b>GOUDSMIT</b> MAGNETIC SYSTEMS</p> <p><small>© All rights reserved. Reproduction is not permitted without written permission of GOUDSMIT Magnetic Systems BV</small></p>	Drawn according: ISO268; ISO1101; ISO2553
Date: 21.04.2017	Predecessor:		Status:
Quick search:	Product key: SPP-0-FC-FO-S4-B-BB		Customer reference number:
Description: Pipe magnet, Ferrite, PM0, type F	Part number: SPPF000160		Rev: -