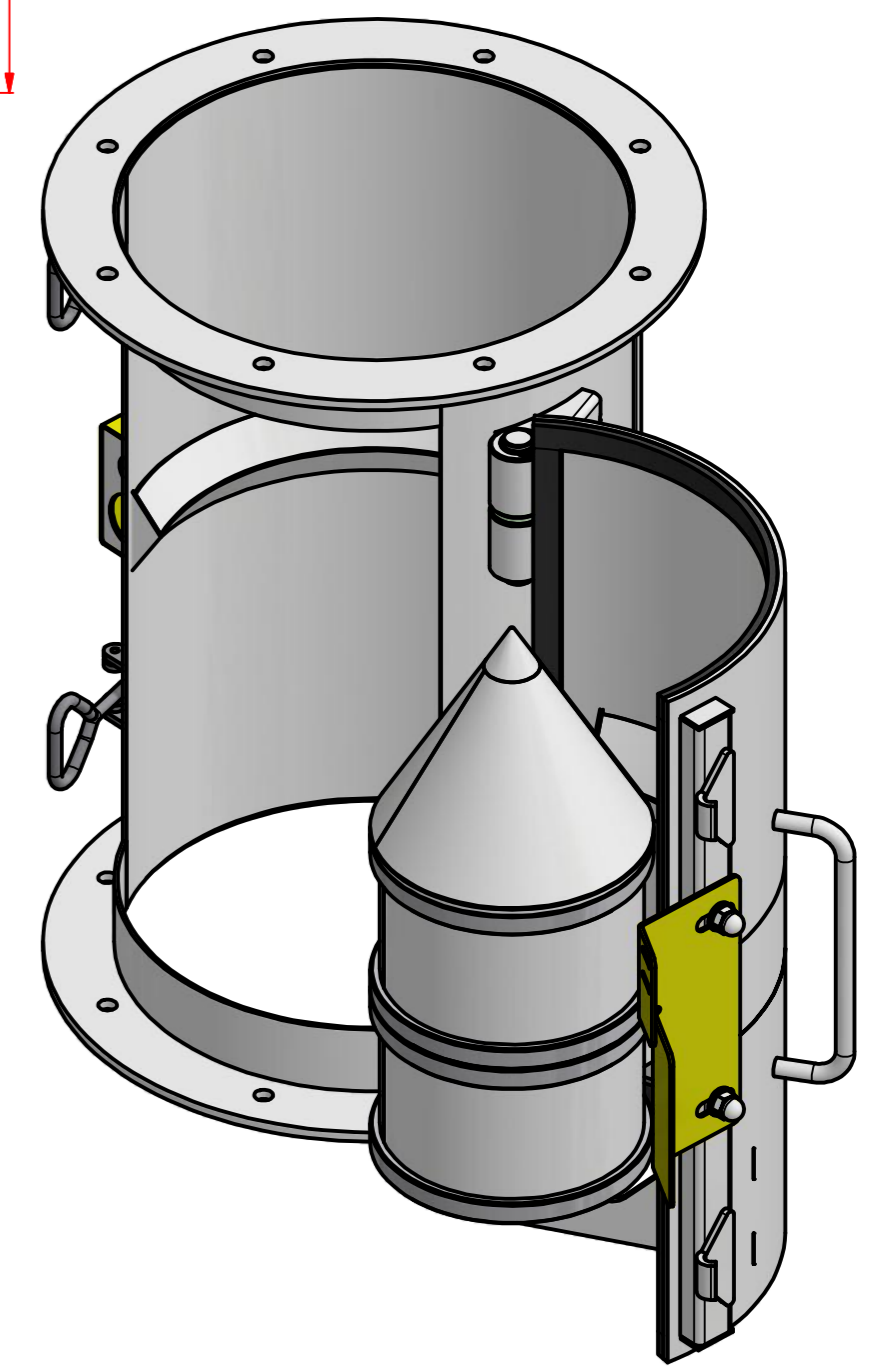
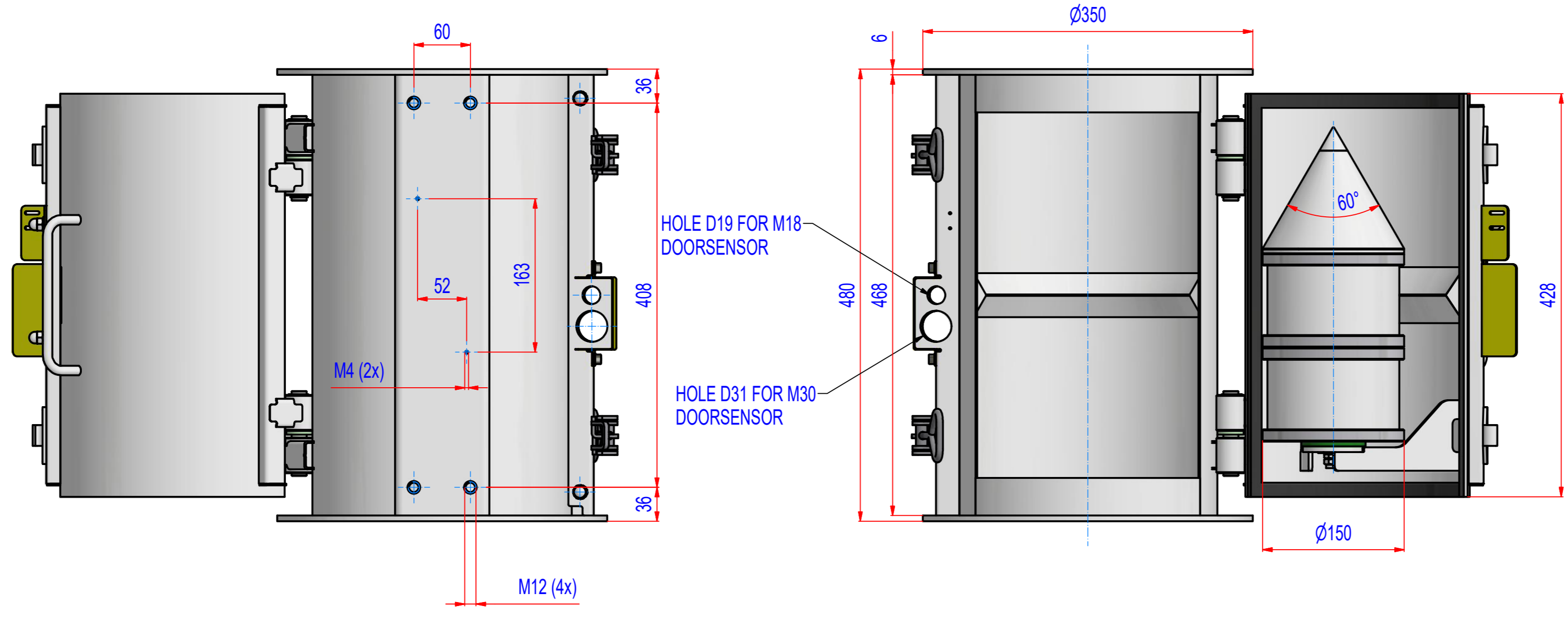
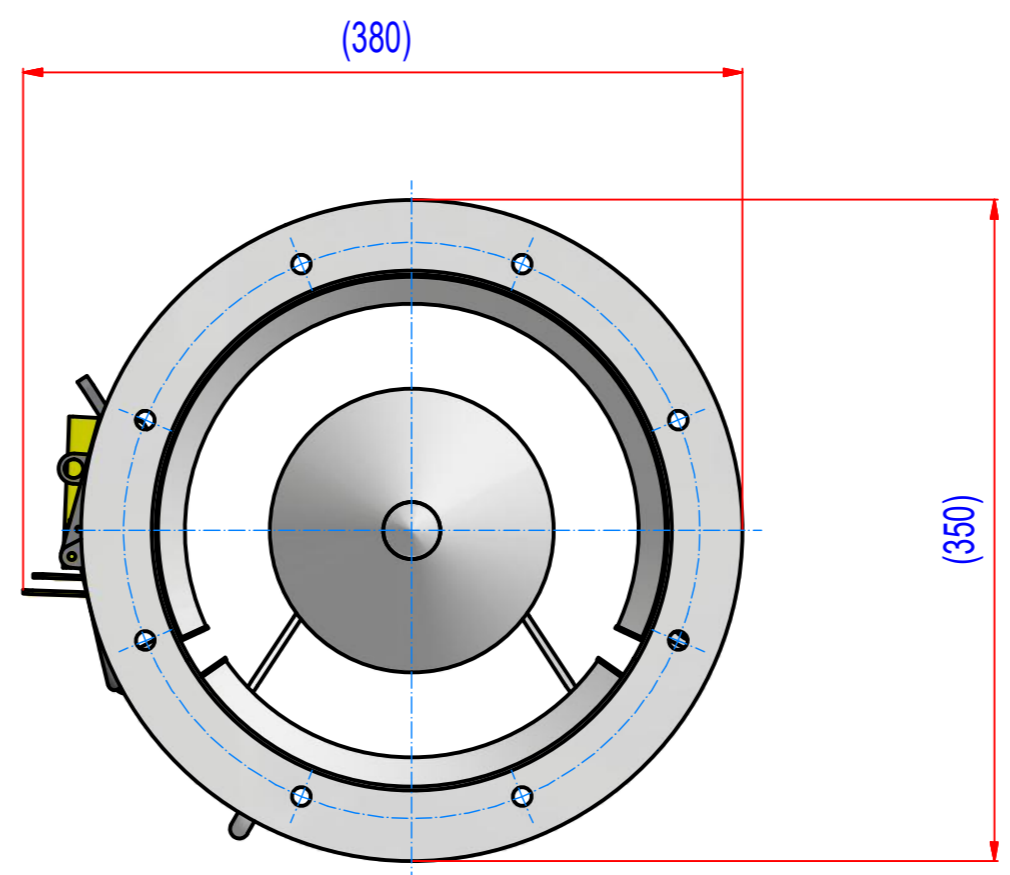
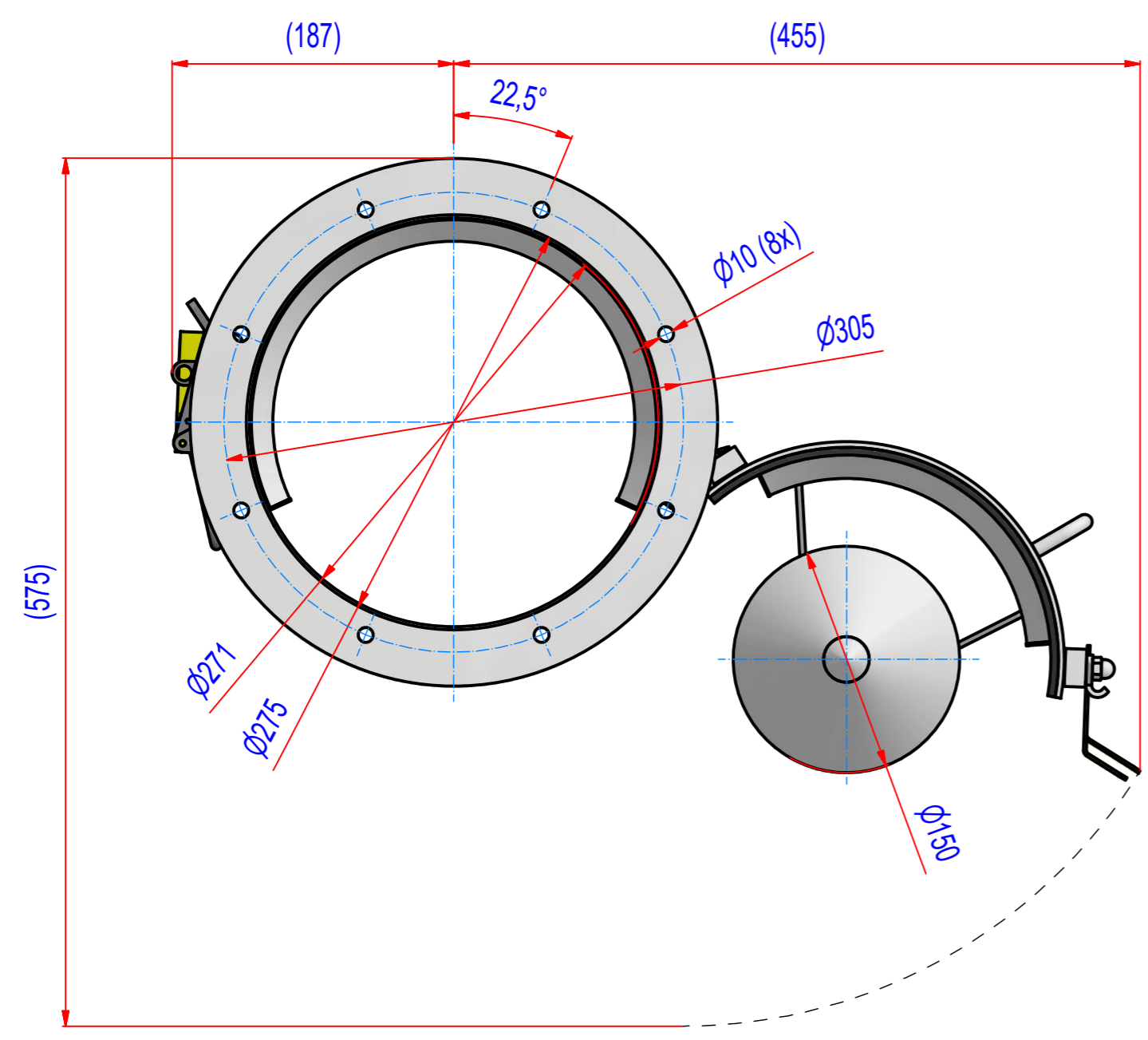


REV	BY	DATE	DESCRIPTION
-	PW	20.02.2018	New Vault, nothing changed, old rev.B



A (1:4)



1	A393_000000	SPPF000161	37,9
POZ./POS.	Č. SOUČÁSTI/ PART NUMBER	POPIS / DESCRIPTION	HMOT./ WEIGHT
Sheet: A2	Weight (kg): 37,9	Extra info:	General tolerance: ISO 2768 - cL
Drawn: PW	Date: 20.02.2018	<p>© All rights reserved. Reproduction is not permitted without written permission of GOUDSMIT Magnetic Systems BV</p>	Drawn according: ISO268; ISO1101; ISO2553
Predecessor:	Quick search: XSPP PM1		Status:
Description: Pipe magnet, Ferrite, PM1, type F		Customer reference number:	Product key: SPP-1-TC-FO-S4-B-BB
			Part number: SPPF000161