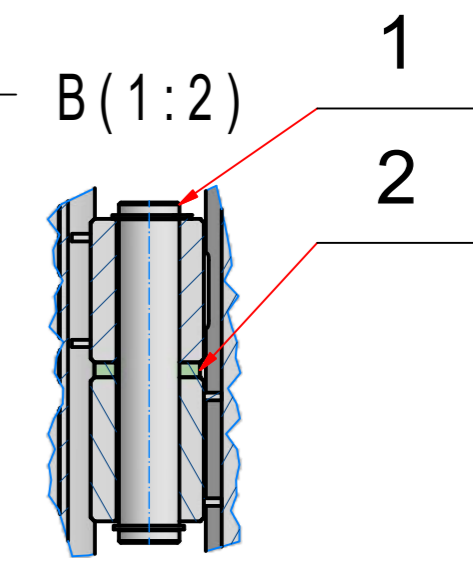
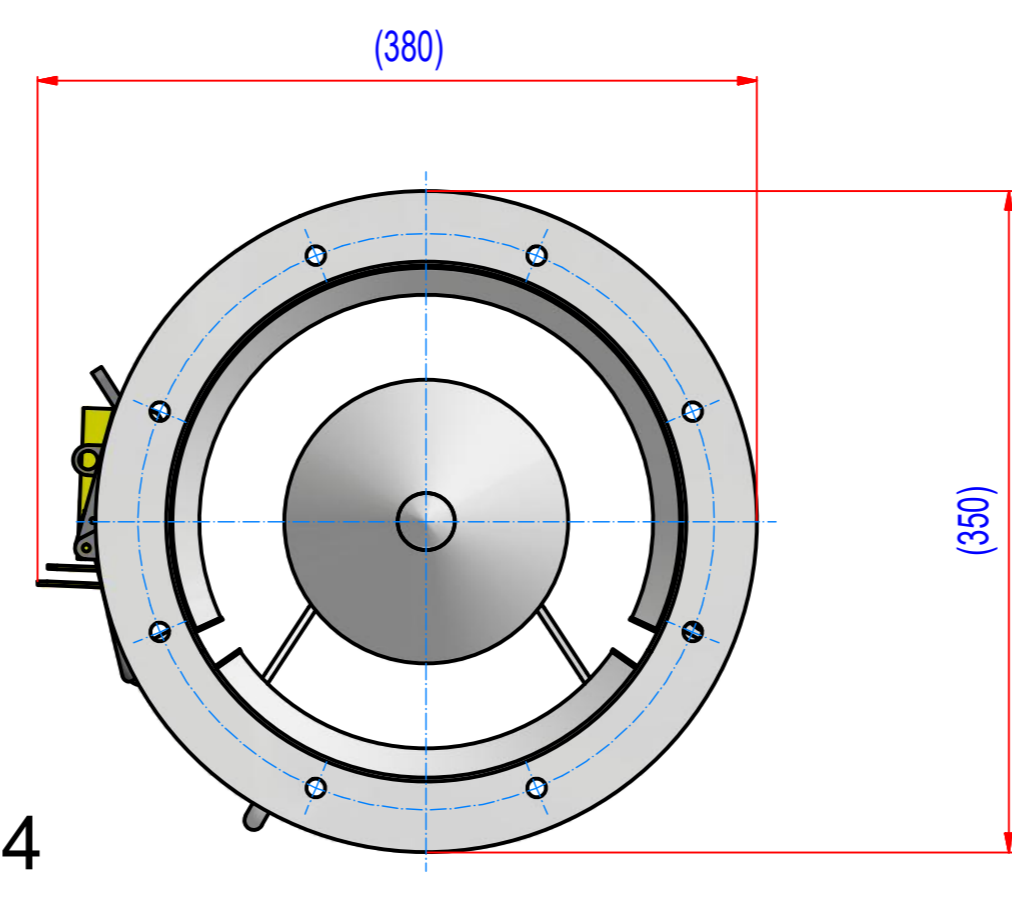
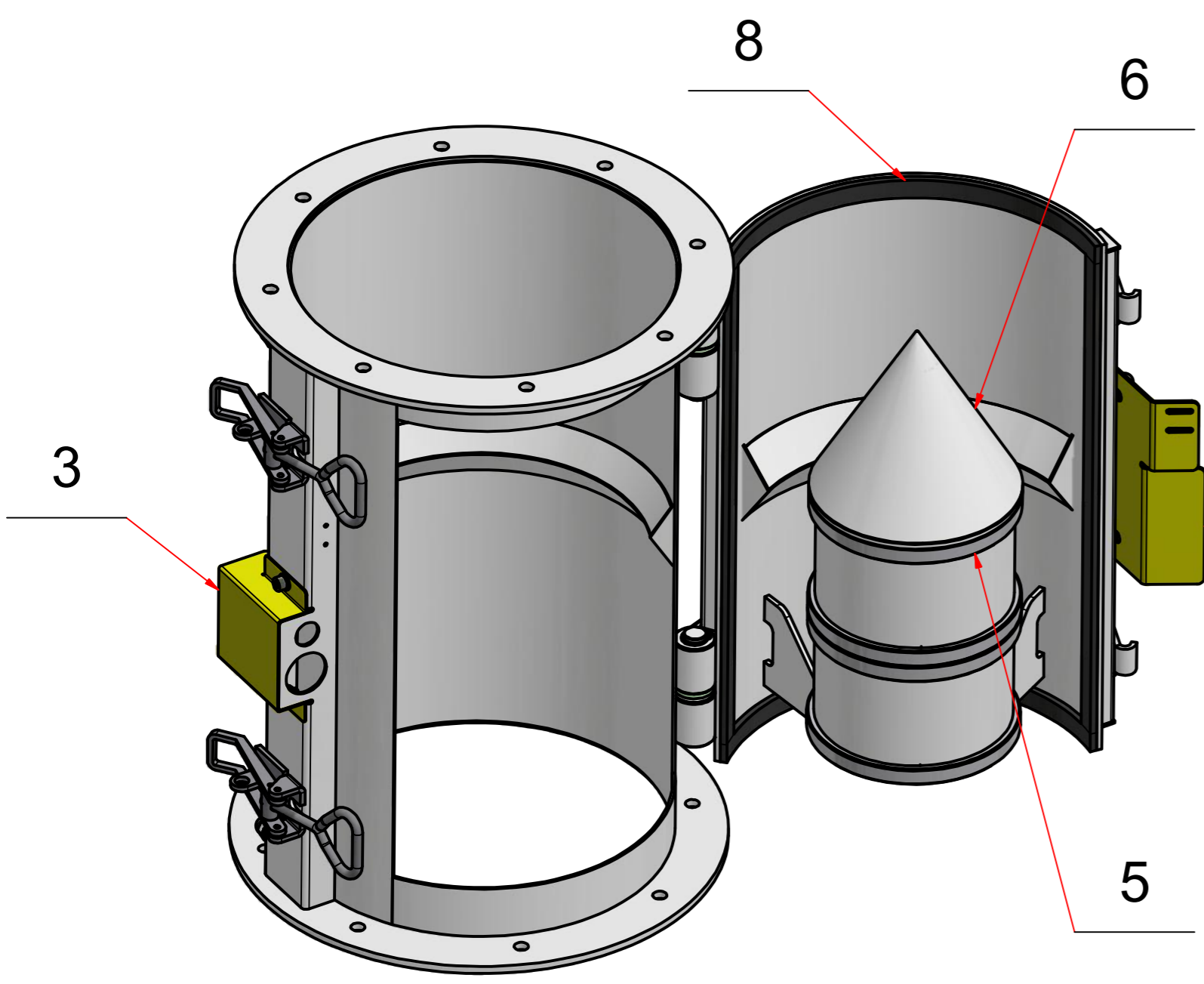
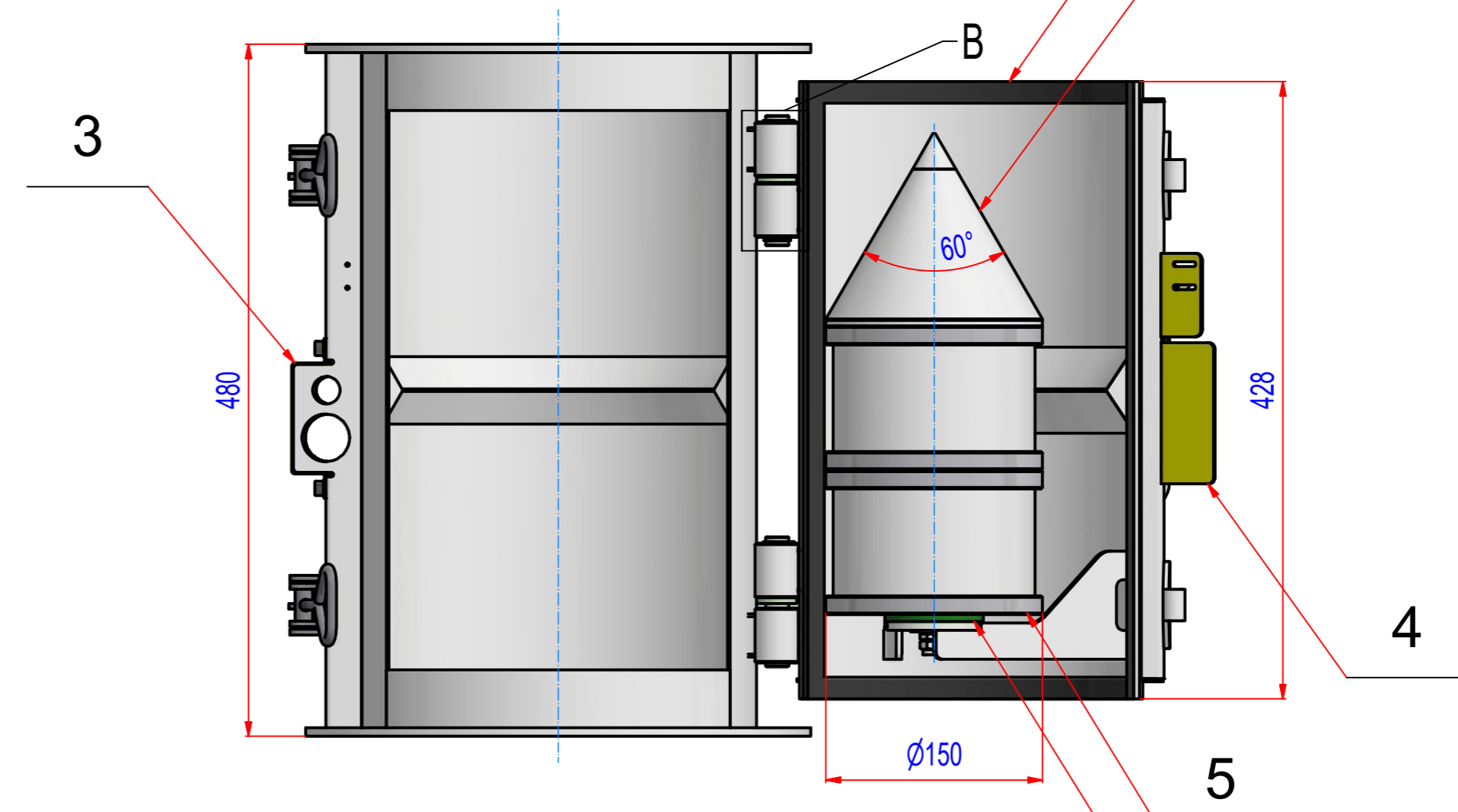
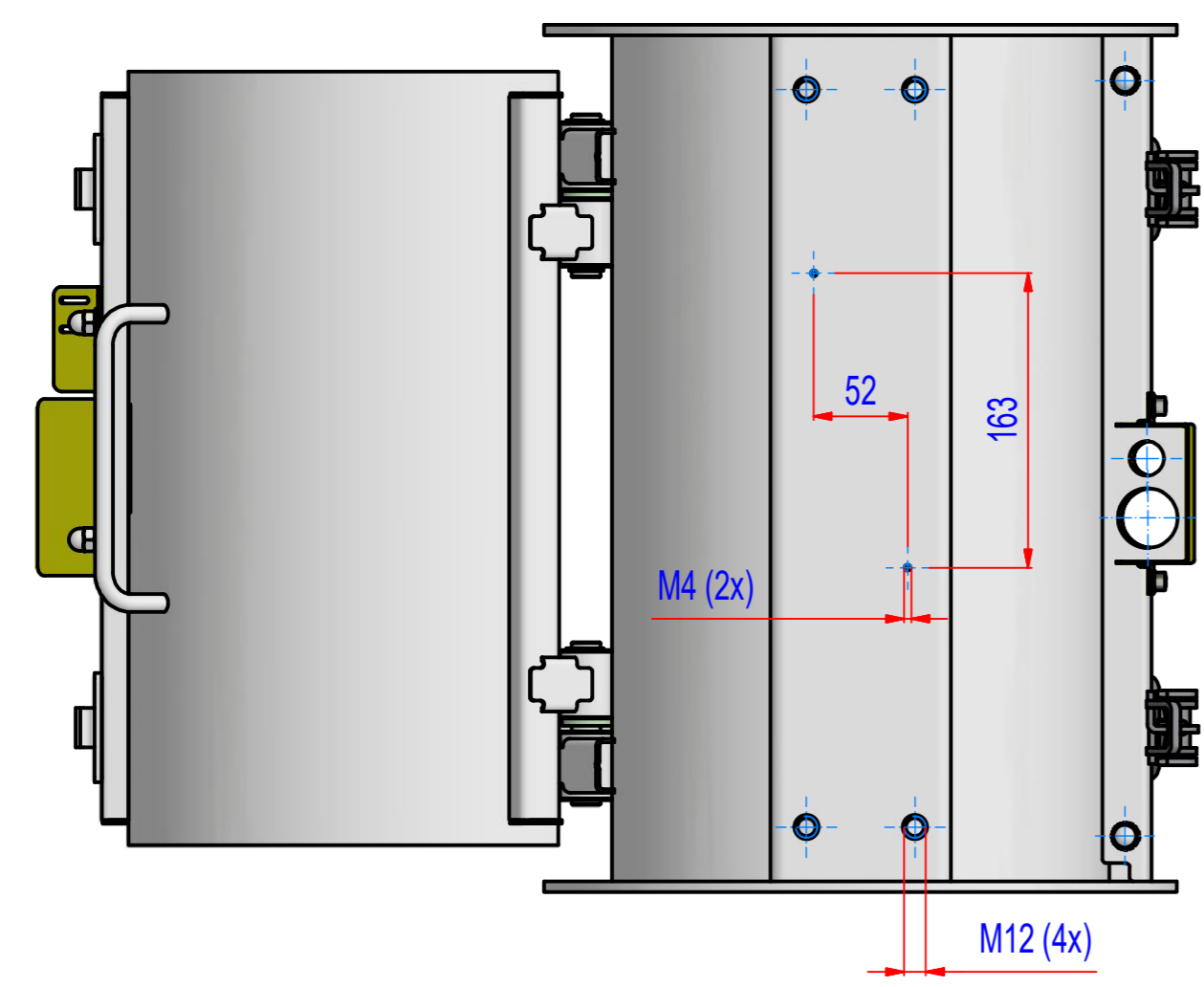


REV	BY	DATE	DESCRIPTION
-	PW	20.02.2018	New Vault, nothing changed



POZ.	Č. SOUČÁSTI	POPIS	MATERIÁL	HMOT.	MN.
8	A038_000001	Band 15x5, L=1,5m	Silikon	0,1	1
7	G80_020007	Slide pad maget PM1	BELTA	0	1
6	G80_030200	Cone for PM1 60°	AISI304	1,2	1
5	G80_030100	Magnet core for PM1 - 60°		18	1
4	H81_000003	Sensor plate	AISI304	0,3	1
3	G32_010302	Cover for sensor	AISI304	0,1	1
2	G80_010007	Washer wear PM1	POLYAMID PA6	0	2
1	G80_010006	Hinge pin PM1	AISI304	0,1	2

Sheet: A2 Drawn: PW Date: 20.02.2018 Predecessor:	Extra info: © All rights reserved. Reproduction is not permitted without written permission of GOUDSMIT Magnetic Systems BV	General tolerance: ISO 2768 - cL Drawn according: ISO268; ISO1101; ISO2553 Status: Customer reference number: Product key: SPP-1-TC-FO-S4-B-BB Part number: SPPF000161_SP Rev: -
Quick search: XSPP PM1 Description: Pipe magnet, Ferrite, PM1, type E		