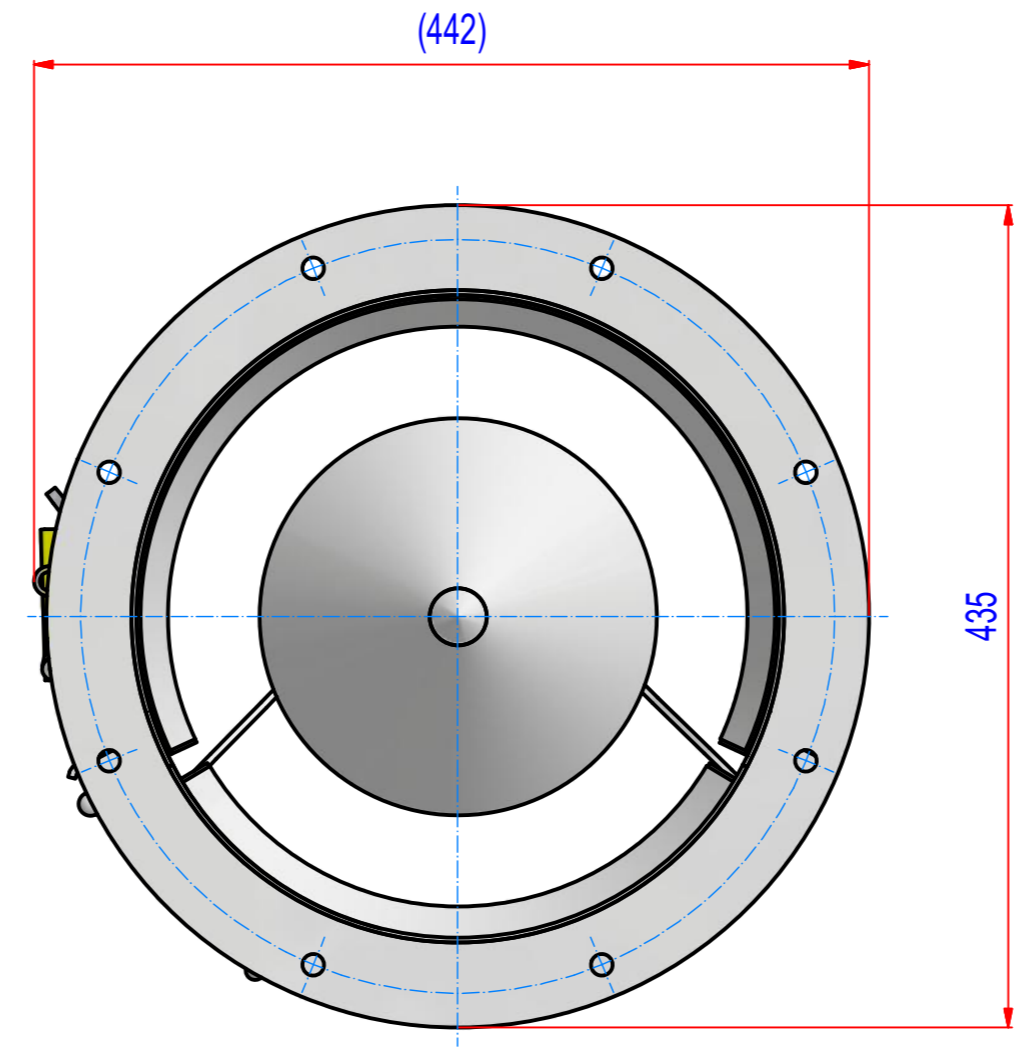
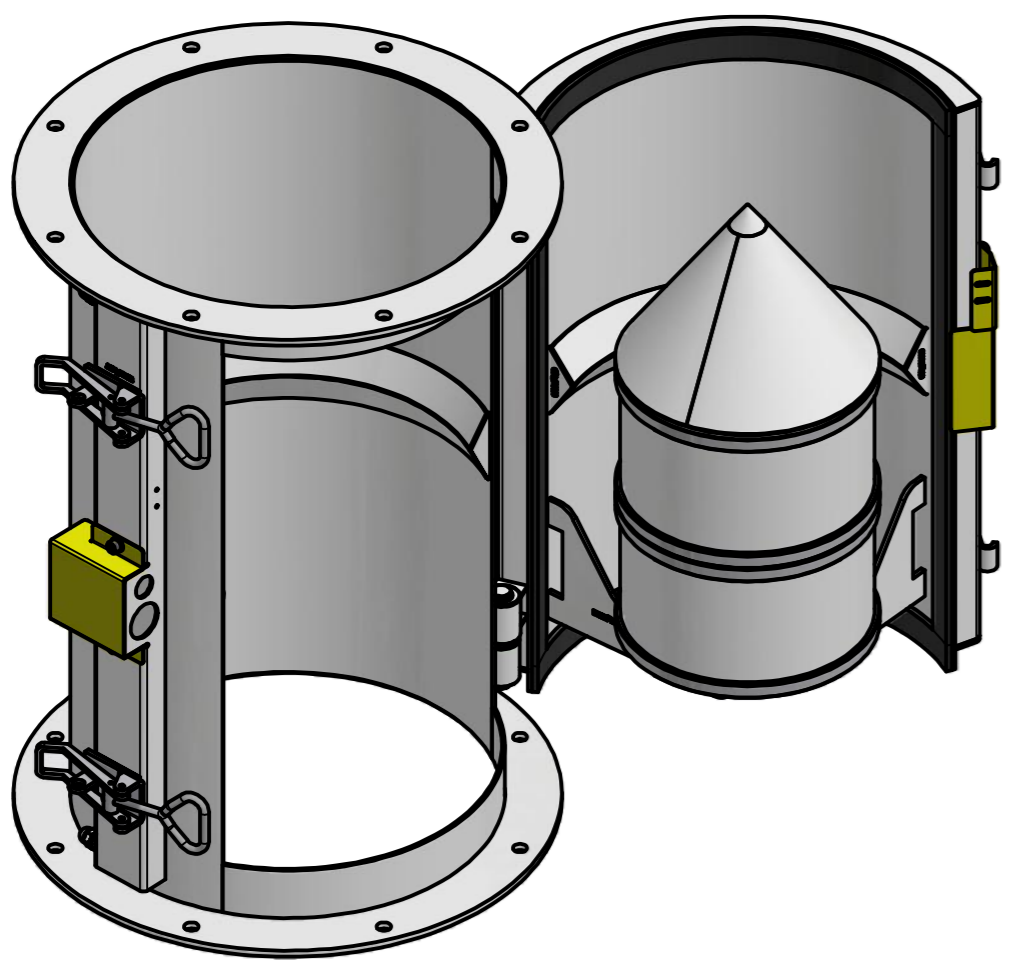
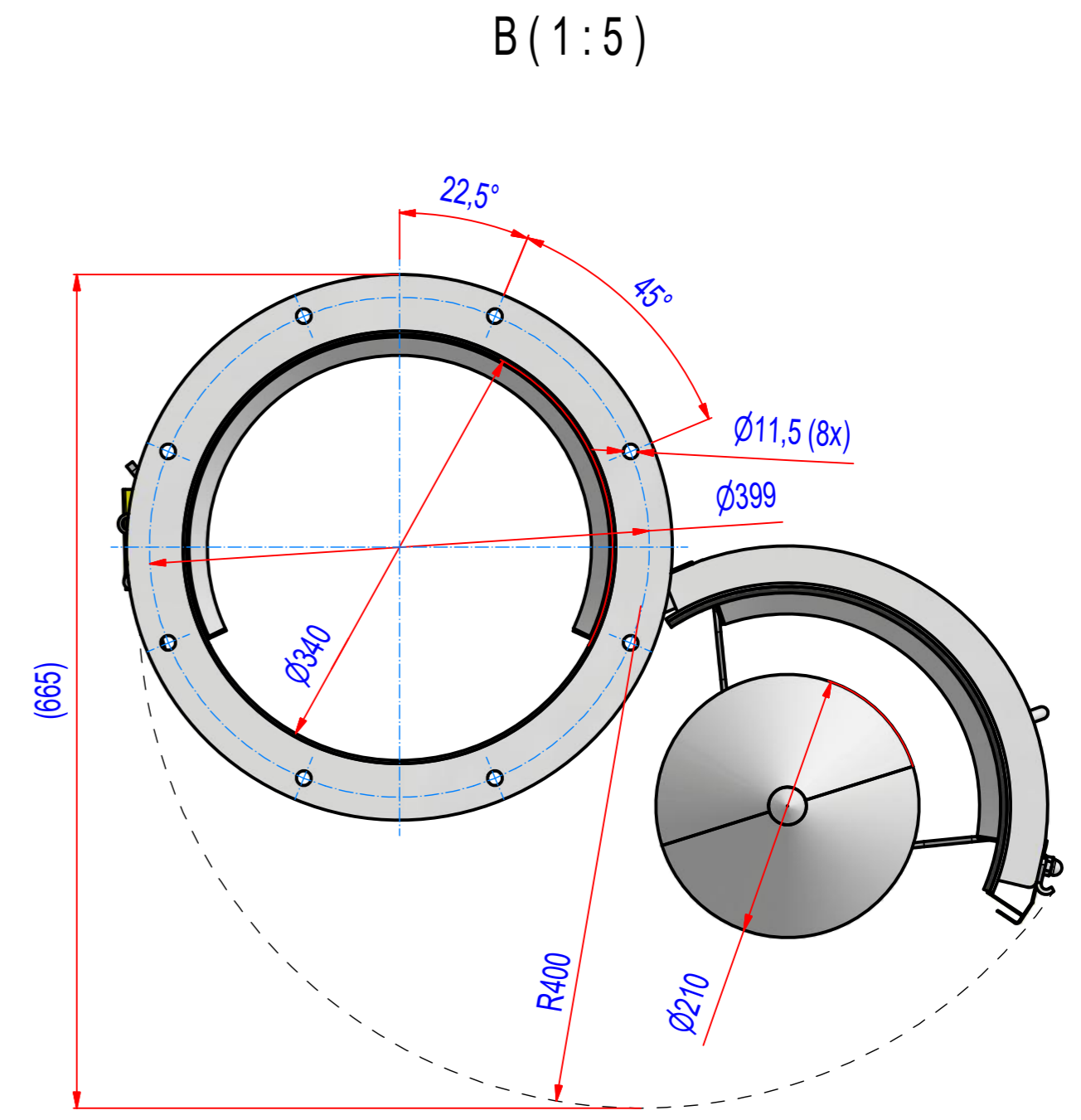
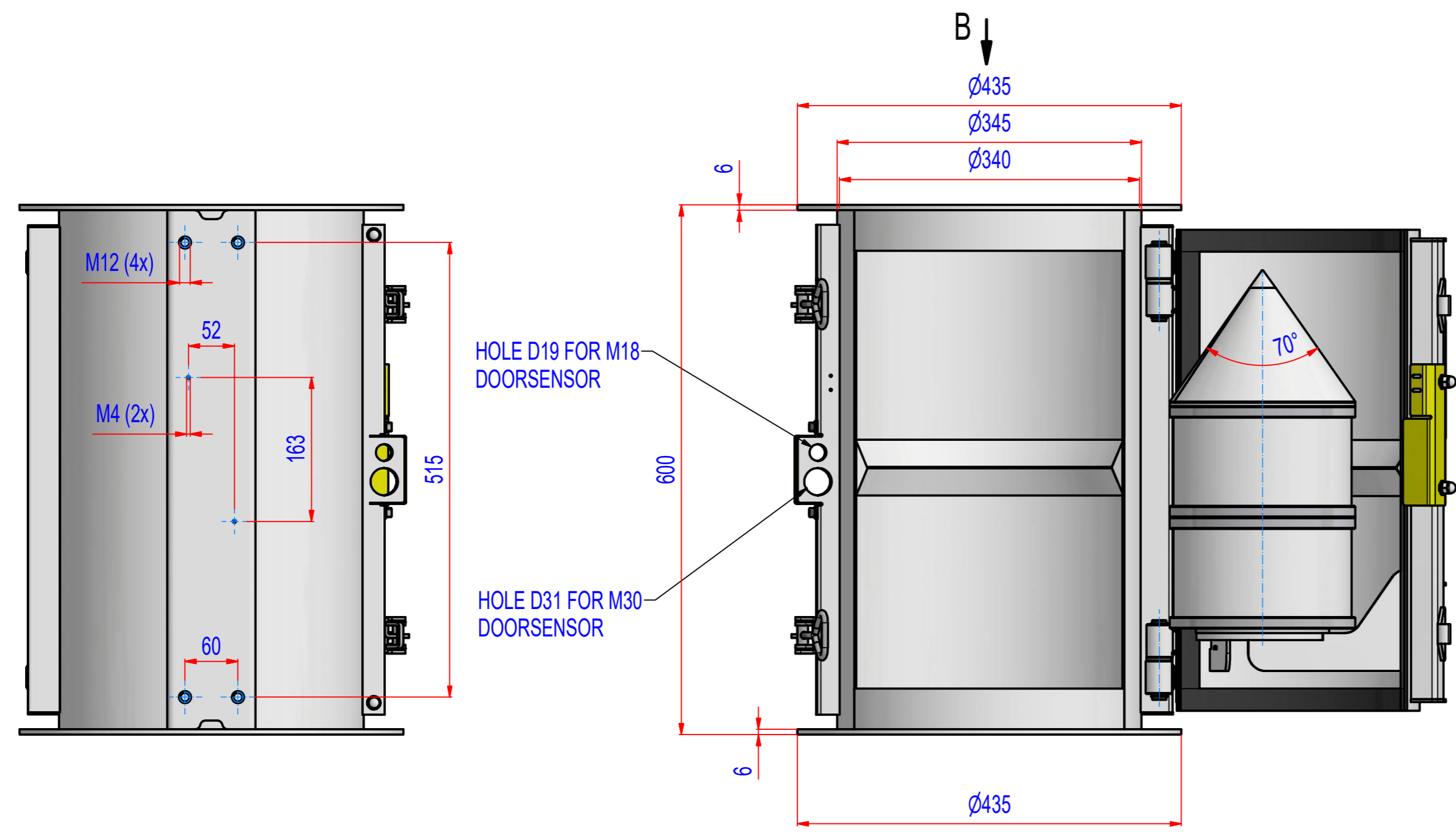


REV	BY	DATE	DESCRIPTION
-	PW	09.05.2017	New Vault, nothing changed, old rev.B



POZ./POS.	Č. SOUČÁSTI/ PART NUMBER	POPIS / DESCRIPTION	HMOT./ WEIGHT
1	A134_000000	SPPF000162	75

Sheet: A2	Extra info:	General tolerance: ISO 2768 - cL
Drawn: PW	Weight (kg): 75	Drawn according: ISO268; ISO1101; ISO2553
Date: 09.05.2017	<p><b>GOUDSMIT</b> MAGNETIC SYSTEMS</p> <p>© All rights reserved. Reproduction is not permitted without written permission of GOUDSMIT Magnetic Systems BV</p>	Status:
Predecessor:		Customer reference number:
Quick search: XSPP2	Product key: SPP-2-FC-FO-S4-B-BB	Part number: SPPF000162
Description: Pipe magnet, Ferrite, PM2, type F		Rev: -