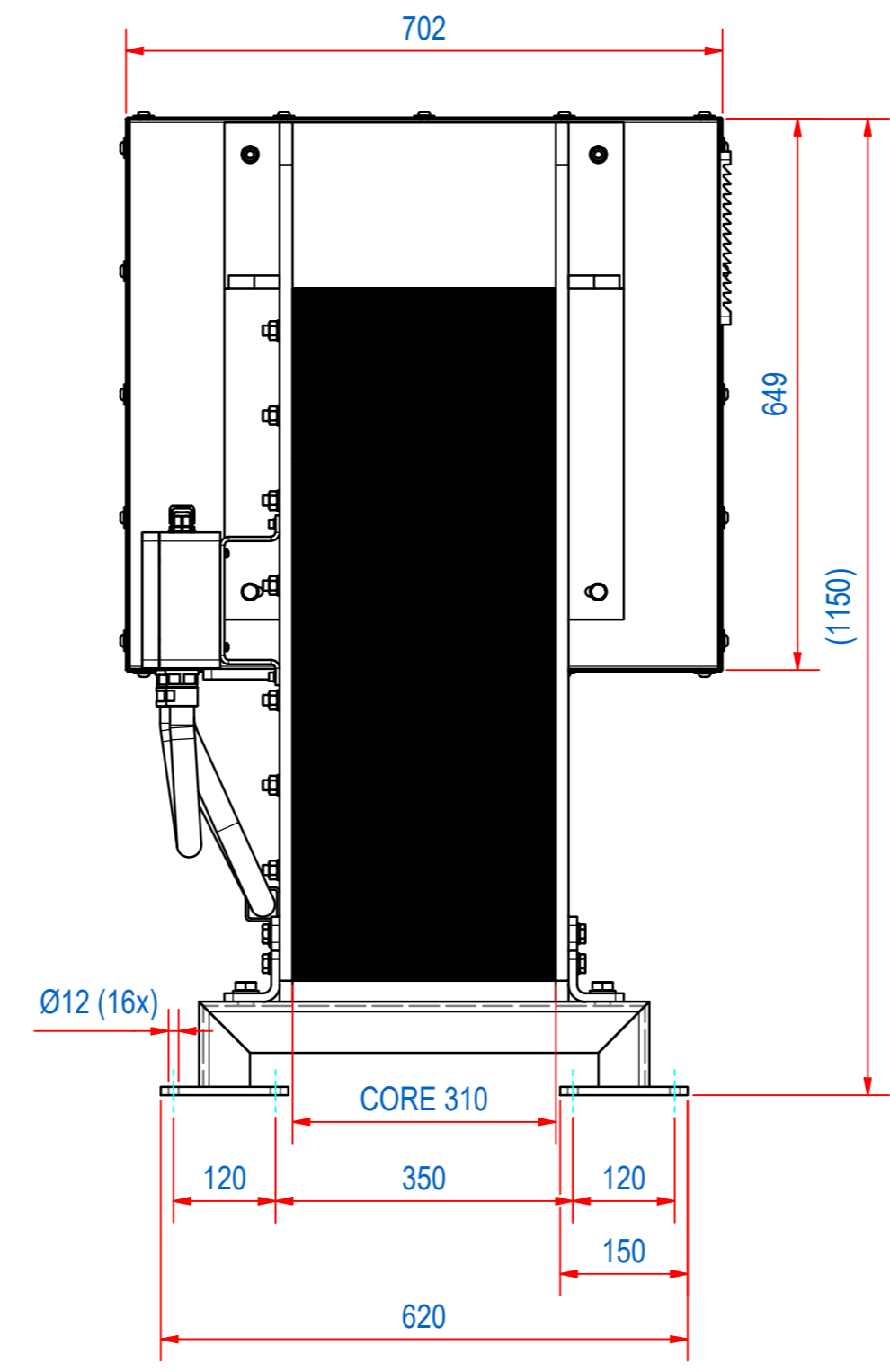
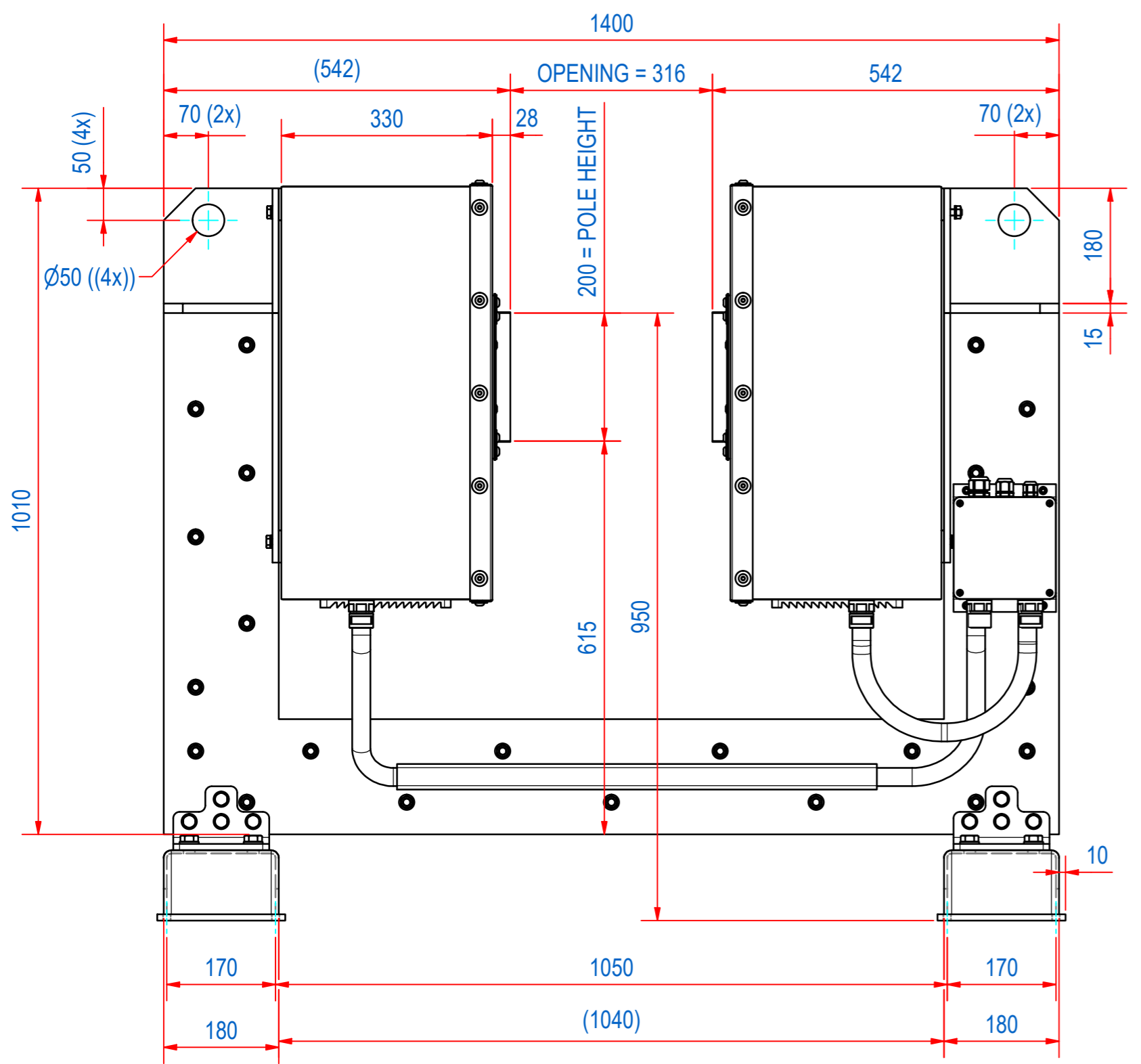
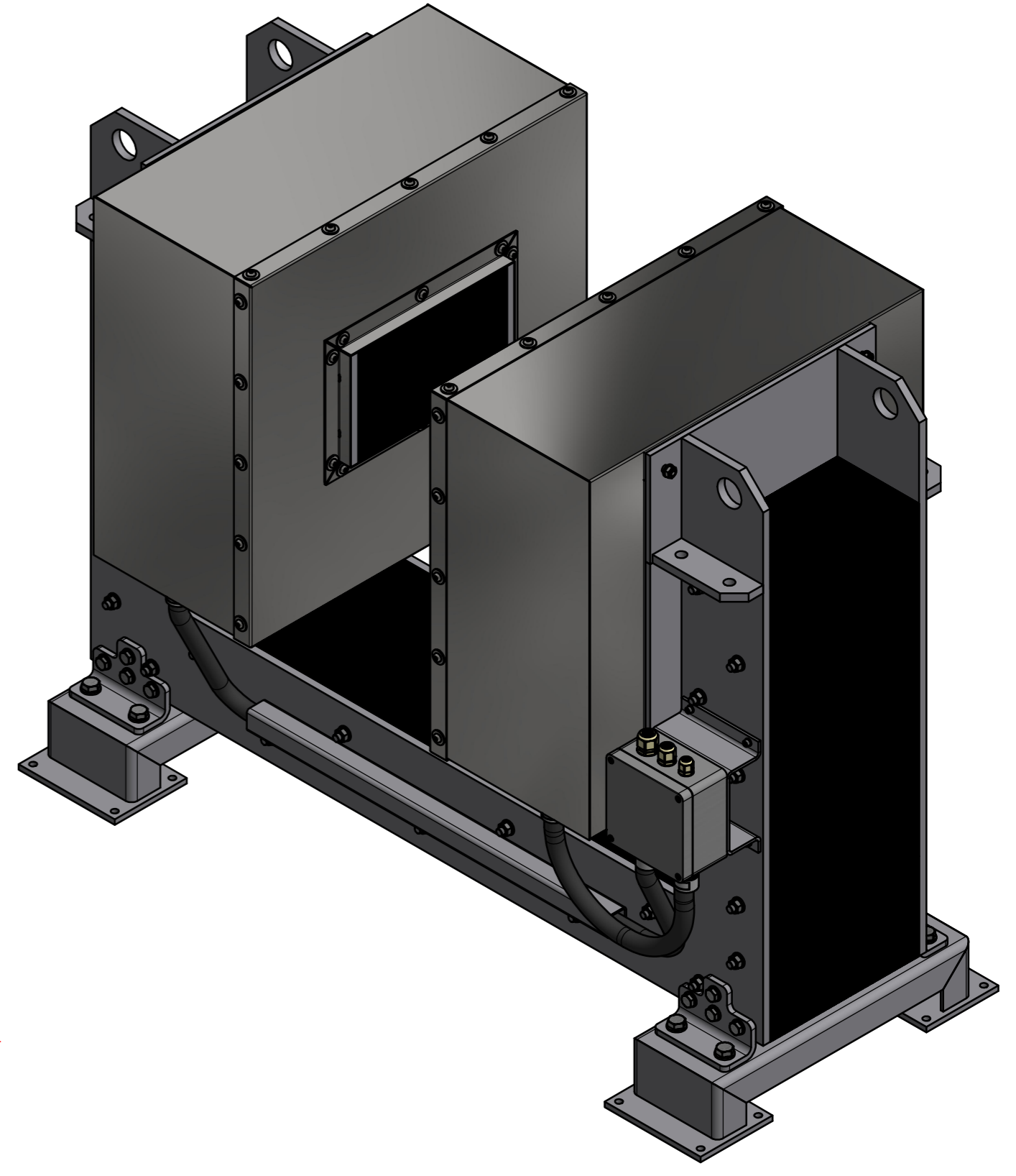
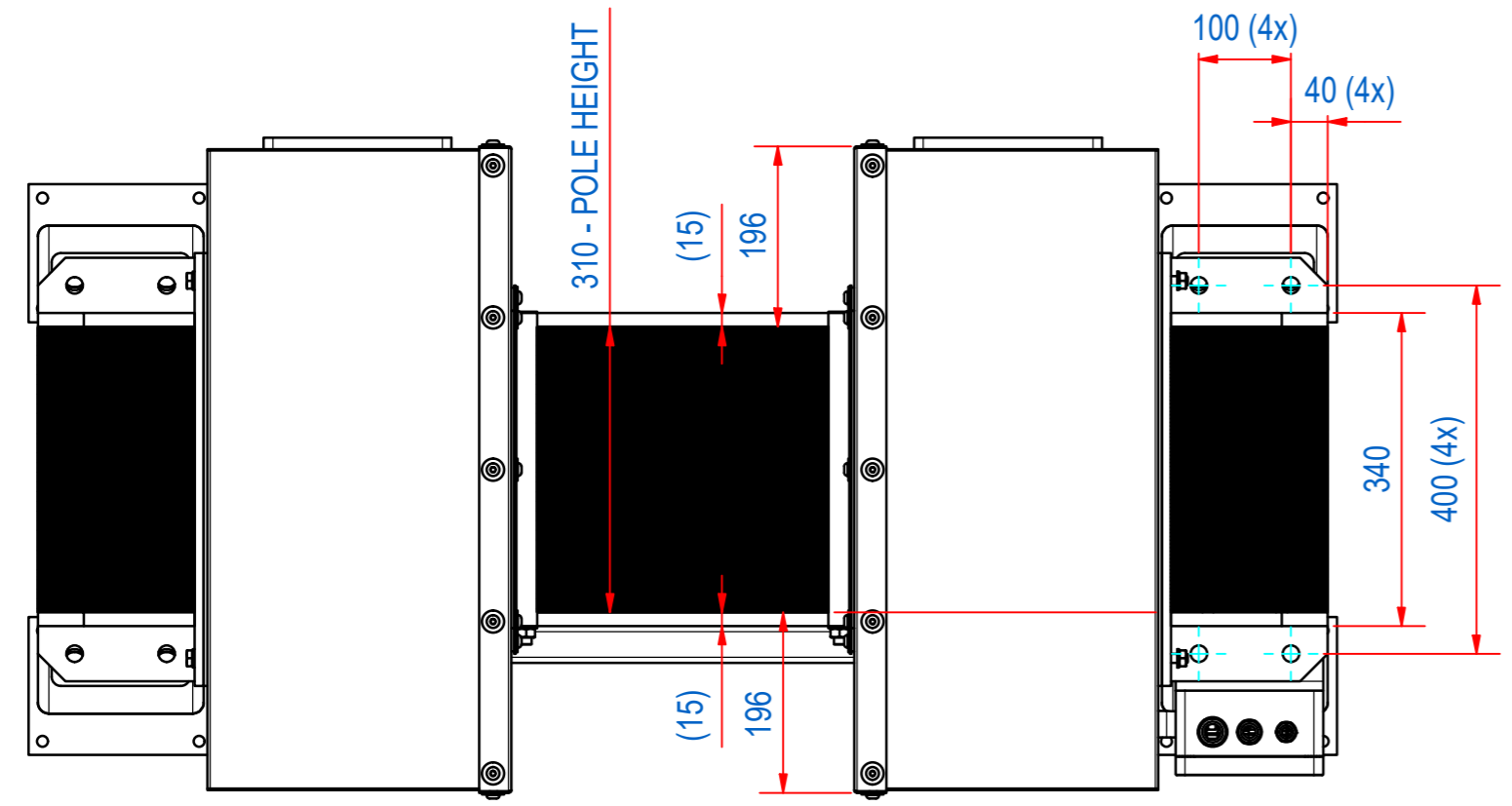


REV	DATE	BY	DESCRIPTION
-	15-6-2015	AvD	NEW REVISION VAULT, NOTHING CHANGED, OLD REV WAS C
A	15-6-2015	AvD	DESCRIPTION CHANGED (11 kW)



ITEM	QTY	PART NUMBER	DESCRIPTION	Dimensions
1	1	M59379	ASSEMBLY DRAWING SPSR	
RAW MAT.	1			Length (mm) Width (mm)
Quantity		Material Number	Material Description	
Sheet:	A2	Extra info:	General tolerance:	ISO 2768 - mK
Drawn:	AvD	Weight (kg):	ISO268; ISO1101; ISO2553	
Date:	15-6-2015	2145	Status:	Standard
Spare part:	False		Customer reference number:	
Quick search:	SPSR25		Document number:	E0036173
Description:	HNA-2DA-316-0200x0310-L-F		Doc.Rev:	A
			Part number:	SPSR250009
			Rev:	A