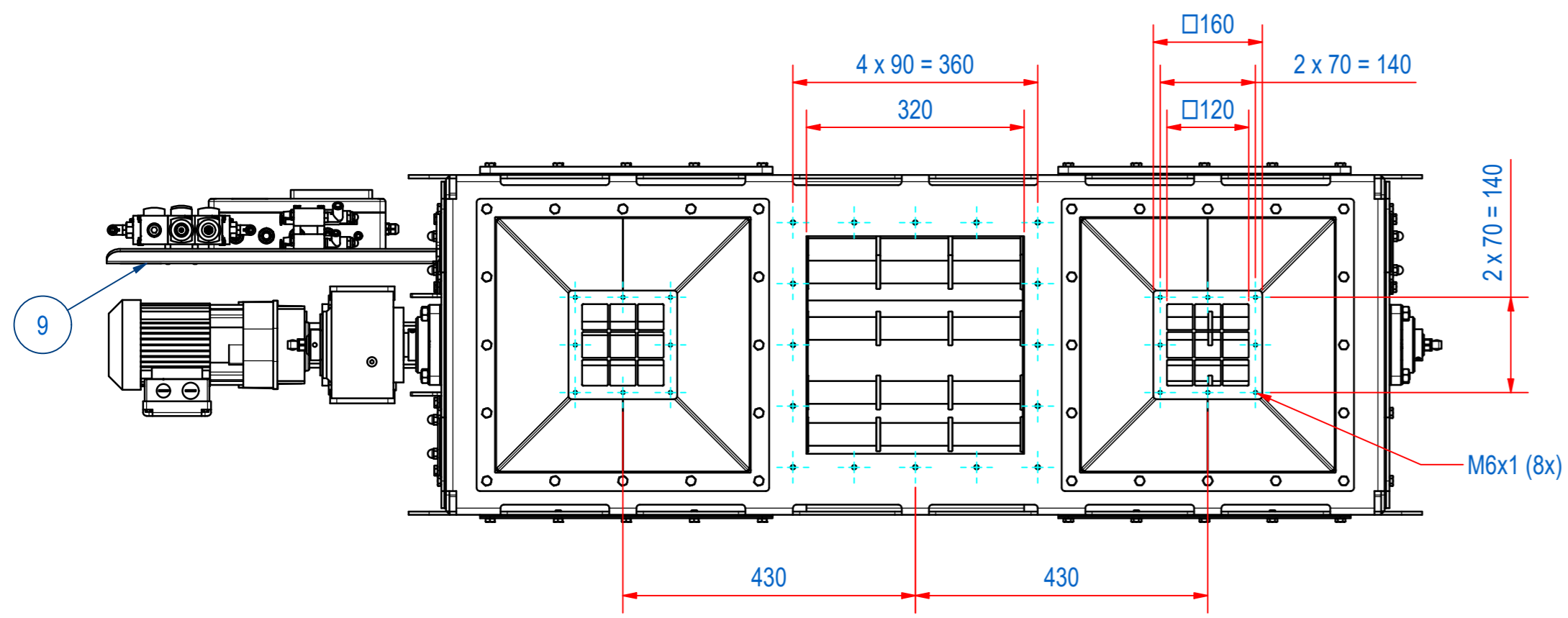
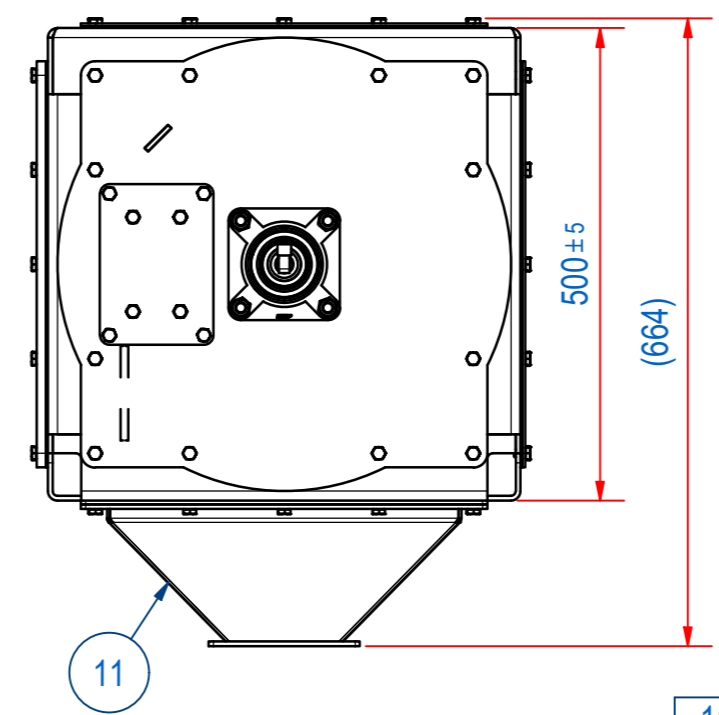
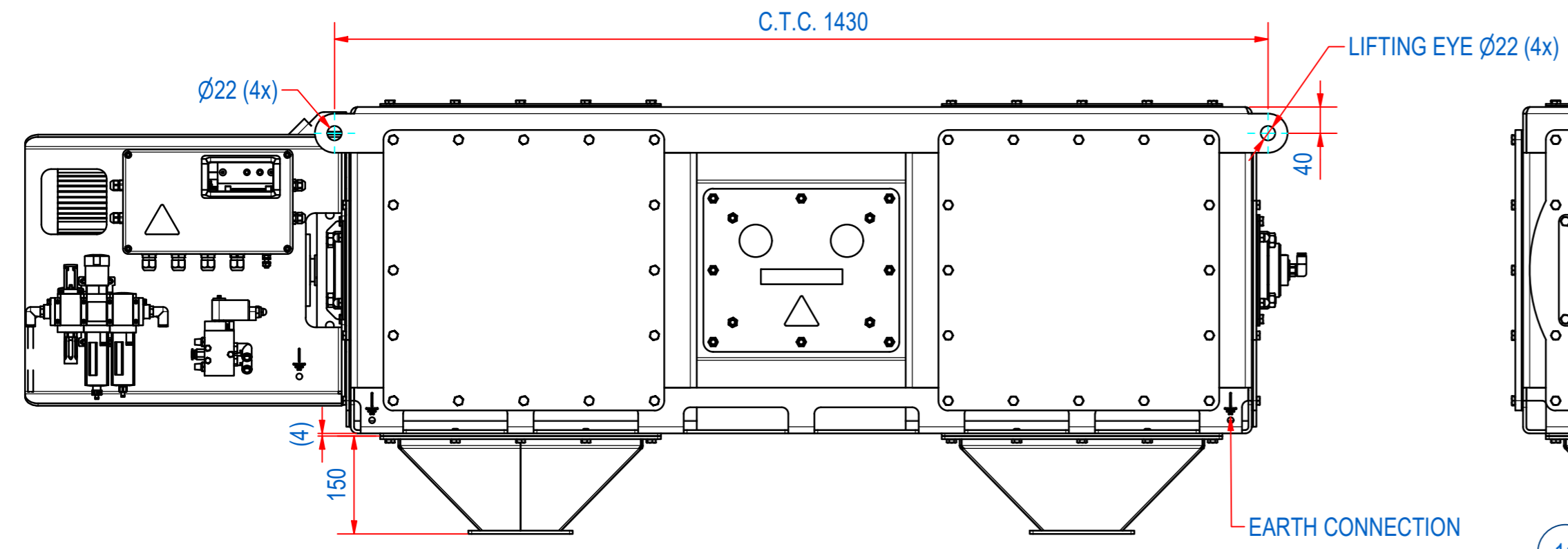
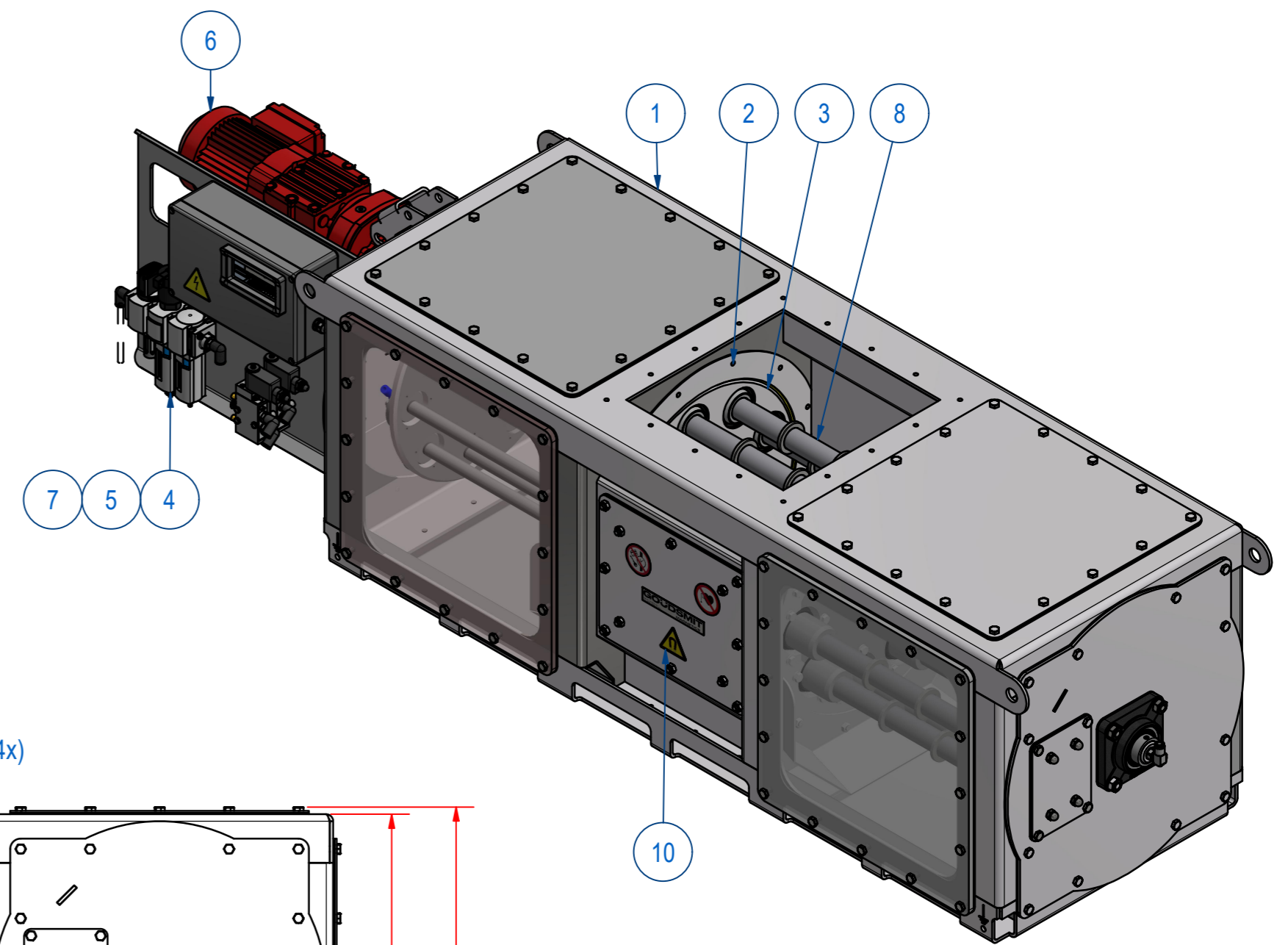
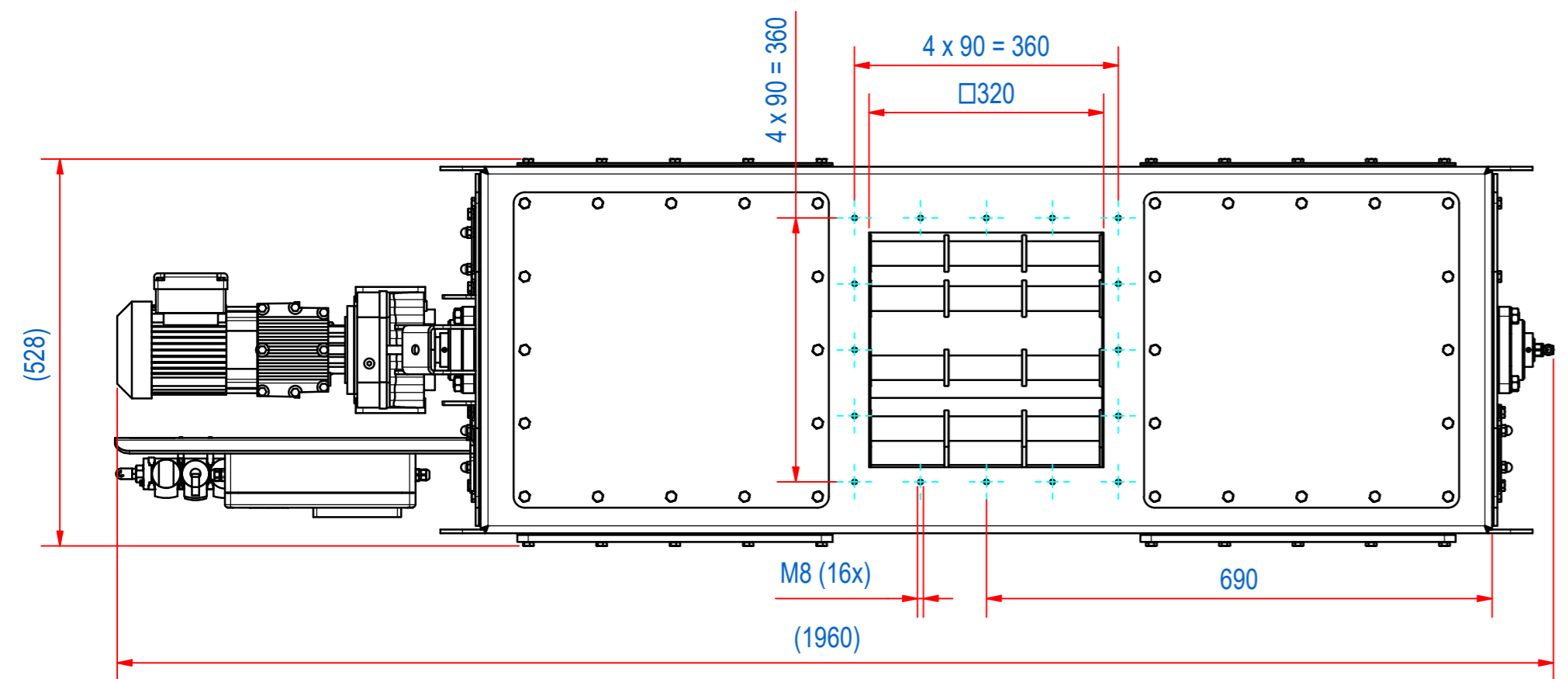


REV	DATE	BY	DESCRIPTION
-	23-8-2022	AvD	REFERENCE DRAWING SRCC320101



ITEM	QTY	PART NUMBER	DESCRIPTION	Dimensions
11	2	E0154455	SRCC-3232 REDUCER #120 H150	
10	1	E0141396	STICKERS FOR SRCC	
9	1	E0133462	TYPE PLATE SRCC NO ATEX	
8	9	SECC320916	CC320 MAGNET ROD D34 NdFeB	
7	1	A120348	PNEU SCHEME Ex II3D T85°C RC000	
6	1	MH01200508	FA37/G R17II2GD EDRN63MS4/3D/AL 5RPM	
5	1	A120758	LOGO PROGRAM SRCC320	
4	1	E0068182	SRCC-CONTROL UNIT Ex	
3	1	A120337	ROTOR ASSY RC3232	
2	2	A120333	INNER RING ASSY RC3232	
1	1	E0154454	SRCC-3232 HOUSE + COVERS	

RAW MAT.	Quantity	Material Number	Material Description	Length (mm)	Width (mm)
1	1				

Sheet: A2	Extra info: CLEANFLOW MAGNET ROTATING	General tolerance: ISO 2768 - mK
Drawn: AvD	Weight (kg): 340	Drawn according: ISO268; ISO1101; ISO2553
Date: 22-8-2022		Status: Released
Spare part: False	Source:	Customer reference number:
Quick search: SRCC3232		
Description: SRCC-3232-09S-N-NA-F1H-L-B-F	Document number: SRCC320201	Doc.Rev: -
	Part number: SRCC320201	Rev: -